

PRODUCT INFORMATION PACKET

marathon®
Motors

Model No: 324TTDCA6026

Catalog No: GT0034

Globetrotter® General Purpose Motor, 40 & 30 HP, 3 Ph, 60 & 50 Hz, 230/460 & 190/380 V,
1800 & 1500 RPM, 324T Frame, DP



Regal and Marathon are trademarks of Regal Rexnord Corporation or one of its affiliated companies.

©2023 Regal Rexnord Corporation, All Rights Reserved. MC017097E

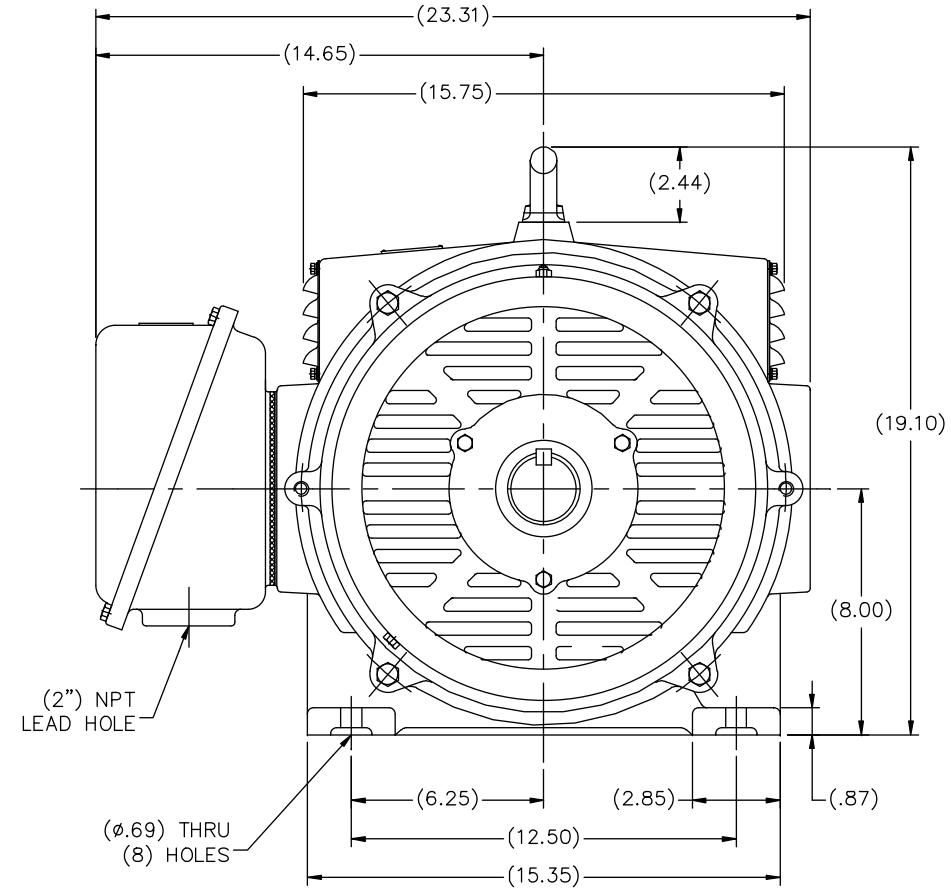
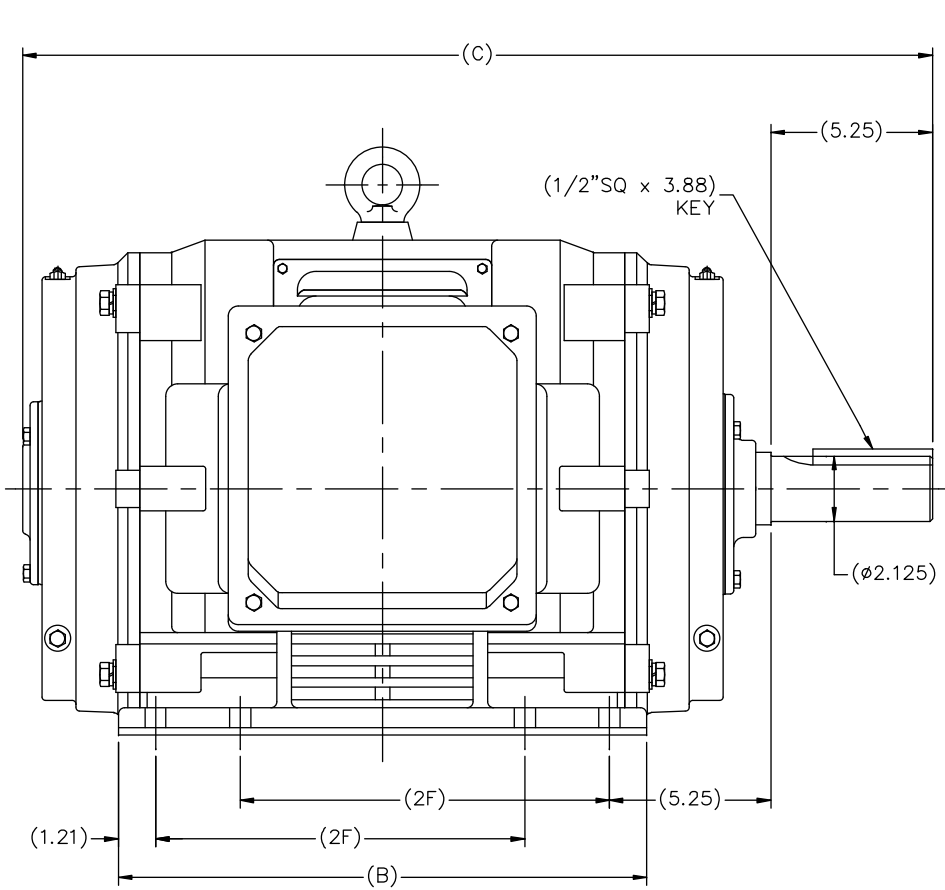
RegalRexnord

Nameplate Specifications

| | | | |
|------------------------|---------------------|----------------------------|---------------------|
| Phase | 3 | Output HP | 40 & 30 Hp |
| Output KW | 30.0 & 22.4 kW | Voltage | 230/460 & 190/380 V |
| Speed | 1780 & 1485 rpm | Service Factor | 1.15 & 1.15 |
| Frame | 324T | Enclosure | Drip Proof |
| Thermal Protection | No Protection | Efficiency | 94.5 & 94.1 % |
| Ambient Temperature | 40 °C | Frequency | 60 & 50 Hz |
| Current | 95/47.5 & 87/43.5 A | Power Factor | 83 |
| Duty | Continuous | Insulation Class | F |
| Design Code | B | KVA Code | F |
| Drive End Bearing Size | 6312 | Opp Drive End Bearing Size | 6311 |
| UL | Recognized | CSA | Y |
| CE | Y | IP Code | 23 |
| Number of Speeds | 1 | | |

Technical Specifications

| | | | |
|-----------------------|------------------------------|-------------------|--|
| Electrical Type | Squirrel Cage Inverter Rated | Starting Method | Part Wdg Start & Wye Start Delta Run Or Inverter |
| Poles | 4 | Rotation | Reversible |
| Resistance Main | .1817 Ohms | Mounting | Rigid Base |
| Motor Orientation | Horizontal | Drive End Bearing | Ball |
| Opp Drive End Bearing | Ball | Frame Material | Cast Iron |
| Shaft Type | T | Overall Length | 28.55 in |
| Shaft Diameter | 2.125 in | Shaft Extension | 5.25 in |
| Assembly/Box Mounting | F1/F2 Capable | | |
| Connection Drawing | EE7308AA | Outline Drawing | SS620242-324T |



(MAY NOT BE DRAWN TO SCALE)

(DIMENSIONS IN TABLE ARE CONSIDERED REFERENCE)

| | | | |
|-------|-------|-------|-------|
| 324T | 28.55 | 15.99 | 10.50 |
| 326T | 29.73 | 17.17 | 12.00 |
| FRAME | C | B | 2F |

| | | | | | | | |
|--|----------|-----------------------------|--------|---|--------|----------------------|--------------------------|
| | | TOLERANCES UNLESS SPECIFIED | | REGAL REGAL - BELOIT CORPORATION | | DRAWN MSG 01-11-2010 | |
| | | DEC. | INCHES | | | CHK | MJS 01-13-2010 |
| | | .X | ±.1 | TITLE OUTLINE | | APPD | SB 01-13-2010 |
| | | .XX | ±.03 | 320T FR. - ODP - CAST IRON | | SCALE | 5=18 |
| | | .XXX | ±.005 | MAT'L. | | REF | FMF HWADA |
| | | .XXXX | ±.0005 | FINISH | | PREV | |
| NO. | REVISION | BY & DATE | CHK | ANG | ±7'30" | RFP | CAD FILE SS620242 |
| THIS DRAWING IN DESIGN AND DETAIL IS OUR PROPERTY AND MUST NOT BE USED EXCEPT IN CONNECTION WITH OUR WORK ALL RIGHTS OF DESIGN AND INVENTION ARE RESERVED THIS IS AN ELECTRONICALLY GENERATED DOCUMENT - DO NOT SCALE THIS PRINT | | | | DIST | | SIZE | DRAWING NO. PAGE OF REV. |
| | | | | | | B | SS620242 |



LOW VOLTAGE



HIGH VOLTAGE



VIEW OF TERMINAL END

| | | |
|---|------------------------------|---------------------------|
| DRAWING REVISION K | REVISION BY AJW | DATE 07-17-2015 |
| ECO ECO-0081632 | APPROVED BY T. VUE | DATE 07-17-2015 |
| ECO DESCRIPTION REV'D IEC MARKINGS PER IEC 60034-8 | | |
| <small> COPYRIGHT REGAL BELOIT AMERICA, INC. ALL RIGHTS RESERVED. PROPRIETARY AND CONFIDENTIAL INFORMATION - THIS DOCUMENT IS THE PROPERTY OF REGAL BELOIT AMERICA, INC. ("OWNER") AND CONTAINS OWNER'S PROPRIETARY INFORMATION. ANY PERSON, CORPORATION OR OTHER FIRM RECEIVING IT IS DEEMED, BY RECEIVING IT, TO AGREE THAT IT, AND/OR ANY PART OF IT, SHALL NOT BE DISCLOSED TO ANY PERSON, CORPORATION OR OTHER ENTITY, DUPLICATED, AND/OR USED, EXCEPT AS EXPRESSLY APPROVED IN WRITING IN ADVANCE BY OWNER. THIS DOCUMENT SHALL BE RETURNED TO OWNER UPON REQUEST. IT MAY BE SUBJECT TO CERTAIN RESTRICTIONS UNDER APPLICABLE EXPORT CONTROL LAWS AND REGULATIONS. </small> | | |



| | | |
|---------------------------|---|-----------------------------------|
| DRAWN BY LZ | Regal Beloit America, Inc. | |
| DATE 01-12-1994 | | |
| APPROVED BY GK | DESCRIPTION CONN DIAGRAM-EXTERNAL 3Ø-2/1 DELTA-12 LEADS | |
| DATE 01-14-1994 | | |
| REFERENCE | MATERIAL | PROCESS/FINISH |
| THIRD ANGLE PROJECTION | SIZE A | DRAWING NUMBER EE7308AA |
| | | SHEET 1 OF 1 |

CERTIFICATION DATA SHEET

Model#: 324TTDCA6026 AD **WINDING#:** CHT32440002 NONE 2
CONN. DIAGRAM: EE7308AA **ASSEMBLY:** F1/F2 CAPABLE
OUTLINE: SS620242

TYPICAL MOTOR PERFORMANCE DATA

| HP | KW | SYNC. RPM | F.L. RPM | FRAME | ENCLOSURE | KVA CODE | DESIGN |
|-------|---------|-----------|-----------|-------|-----------|----------|--------|
| 40&30 | 30&22.4 | 1800 | 1780&1485 | 324T | DP | F | B |

| PH | Hz | VOLTS | FL AMPS | START TYPE | DUTY | INSL | S.F | AMB°C | ELEVATION |
|----|-------|---------------------|---------------------|--------------------------|----------------|------|-----------|-------|-----------|
| 3 | 60/50 | 230/460#190/ 380 | 95/47.5&87/43 .5 | PWS & YDRUN OR INV | CONTINUOU S | F7 | 1.15/1.15 | 40 | 3300 |

| FULL LOAD EFF: 94.5&94.1 | 3/4 LOAD EFF: 94.1 | 1/2 LOAD EFF: 93.6 | GTD. EFF | ELEC. TYPE | NO LOAD AMPS |
|-----------------------------|--------------------|--------------------|----------|-------------------|--------------|
| FULL LOAD PF: 83&83 | 3/4 LOAD PF: 80.5 | 1/2 LOAD PF: 72 | 93.6 | SQ CAGE INV RATED | 33 / 16.5 |

| F.L. TORQUE | LOCKED ROTOR AMPS | L.R. TORQUE | B.D. TORQUE | F.L. RISE°C |
|-------------|-------------------|---------------|---------------|-------------|
| 118 LB-FT | 504 / 252 | 189 LB-FT 161 | 289 LB-FT 245 | 30 |

| SOUND PRESSURE @ 3 FT. | SOUND POWER | ROTOR WK^2 | MAX. WK^2 | SAFE STALL TIME | STARTS /HOUR | APPROX. MOTOR WGT |
|---------------------------|-------------|-------------|-----------|-----------------|-----------------|----------------------|
| 60 dBA | 70 dBA | 9.5 LB-FT^2 | - LB-FT^2 | 20 SEC. | 2 | 575 LBS. |

***** SUPPLEMENTAL INFORMATION *****

| DE BRACKET TYPE | ODE BRACKET TYPE | MOUNT TYPE | ORIENTATION | SEVERE DUTY | HAZARDOUS LOCATION | DRIP COVER | SCREENS | PAINT |
|--------------------|---------------------|---------------|-------------|----------------|-----------------------|---------------|---------|------------------|
| STANDARD | STANDARD | RIGID | HORIZONTAL | FALSE | NONE | FALSE | NONE | BLUE (ENAMEL) |

| BEARINGS | | GREASE | SHAFT TYPE | SPECIAL DE | SPECIAL ODE | SHAFT MATERIAL | FRAME MATERIAL |
|----------|------|------------|------------|------------|-------------|----------------------------|-------------------|
| DE | OPE | | | | | | |
| BALL | BALL | POLYREX EM | T | NONE | NONE | 1045 HOT ROLLED (C-204) | CAST IRON |
| 6312 | 6311 | | | | | | |

| THERMO-PROTECTORS | | | | THERMISTORS | CONTROL | SPACE /n HEATERS |
|-------------------|------------|----------|----------|-------------|---------|------------------|
| THERMOSTATS | PROTECTORS | WDG RTDs | BRG RTDs | | | |
| NONE | NOT | NONE | NONE | NONE | FALSE | NONE VOLTS |

If Inverter equals NONE, contact factory for further information

| |
|-------------------------------|
| INVERTER TORQUE: CONSTANT 2:1 |
| INV. HP SPEED RANGE: NONE |
| ENCODER: NONE |
| NONE NONE |
| NONE NONE PPR |
| BRAKE: NONE NONE |
| NONE P/N NONE |
| NONE NONE |
| NONE FT-LB NONE V NONE Hz |

*
N
O
T
E
S
*

DATE: 06/21/2017 04:09:22 AM
 FORM 3531 REV.3 02/07/99
 ** Subject to change without notice.

Data Sheet

Date: 6/29/2017

324TTDCA6026

Customer: _____



Attention: _____

Submittal

Submitted by: FAREEDA DUDEKULA

Data @ 460 V

Motor Load Data

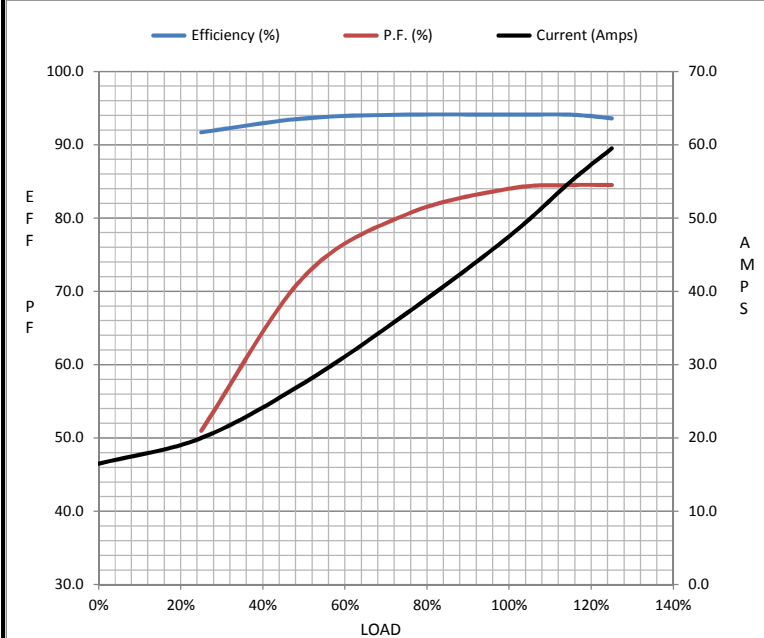
| Load | 0% | 25% | 50% | 75% | 100% | 115% | 125% | LR |
|----------------|------|------|------|------|------|-------|------|------|
| Current (Amps) | 16.5 | 20.0 | 27.5 | 37.0 | 47.5 | 55.0 | 59.5 | 252 |
| Torque (ft-lb) | 0.00 | 29.0 | 58.5 | 88.0 | 118 | 136 | 148 | 189 |
| RPM | 1800 | 1795 | 1790 | 1785 | 1780 | 1,778 | 1775 | 0 |
| Efficiency (%) | | 91.7 | 93.6 | 94.1 | 94.1 | 94.1 | 93.6 | |
| P.F. (%) | 4.5 | 51.0 | 72.0 | 80.5 | 84.0 | 84.5 | 84.5 | 35.5 |

Motor Speed Data

| | LR | Pull-Up | BD | Rated | Idle |
|----------------|-----|---------|------|-------|------|
| Speed (RPM) | 0 | 900 | 1685 | 1780 | 1800 |
| Current (Amps) | 252 | 227 | 155 | 47.5 | 16.5 |
| Torque (ft-lb) | 189 | 171 | 289 | 118 | 0.00 |

Information Block

| | | | | |
|-----------------------------|------------------------|--------|--------|---------|
| HP | 40.0 | | | |
| Sync. RPM | 1800 | | | |
| Frame | 324 | | | |
| Enclosure | DP | | | |
| Construction | TDC | | | |
| Voltage | 30/460#190/381V | | | |
| Frequency | 60 Hz | | | |
| Design | B | | | |
| LR Code letter | F | | | |
| Service Factor | 1.15 | | | |
| Temp Rise @ FL | 30 °C | | | |
| Duty | CONT | | | |
| Ambient | 40 °C | | | |
| Elevation | 1,000 feet | | | |
| Rotor/Shaft wk ² | 9.5 Lb-Ft ² | | | |
| Ref Wdg | CHT32440002 NONE | | | |
| Sound Pressure @ 1M | 75 dBA | | | |
| VFD Rating | CONSTANT 2:1 | | | |
| Outline Dwg | SS620242 | | | |
| Conn. Diag | EE7308AA | | | |
| Additional Specifications: | | | | |
| 0 | | | | |
| 0 | | | | |
| EQUIV CKT (OHMS / PHASE) | | | | |
| R1 | R2 | X1 | X2 | Xm |
| 0.1260 | 0.0600 | 0.5370 | 0.8510 | 16.4420 |



Speed - Torque Curve

