

# PRODUCT INFORMATION PACKET

Model No: 324TTDCA6013

Catalog No: GT2536

50 HP Close-Coupled Pump Motor, 3 phase, 3600 RPM, 575 V, 324JP Frame, ODP  
Close-Coupled Pump Motors

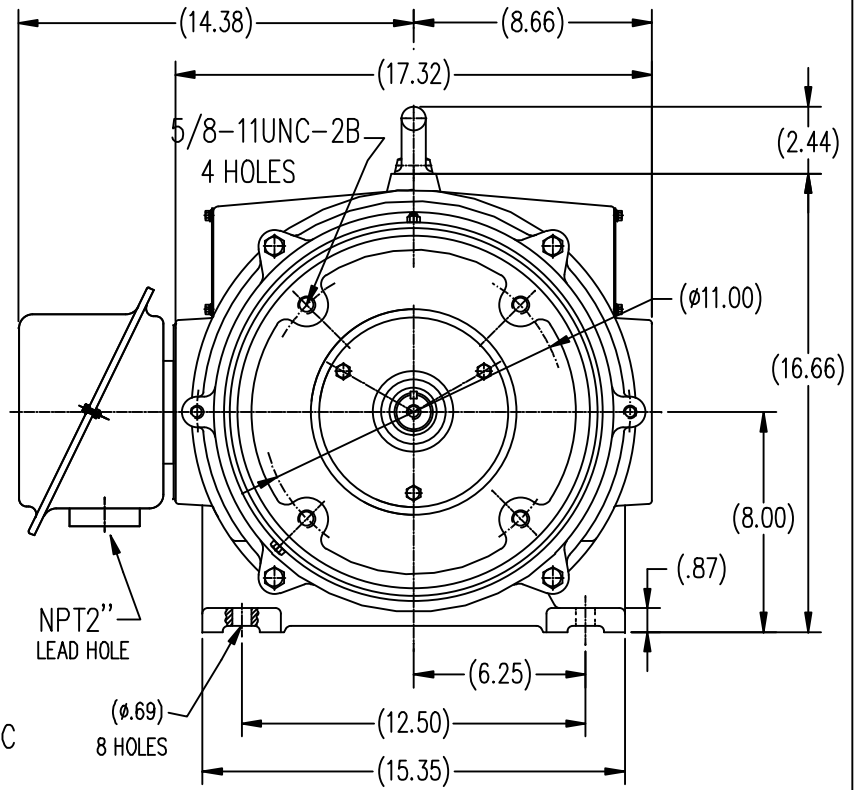
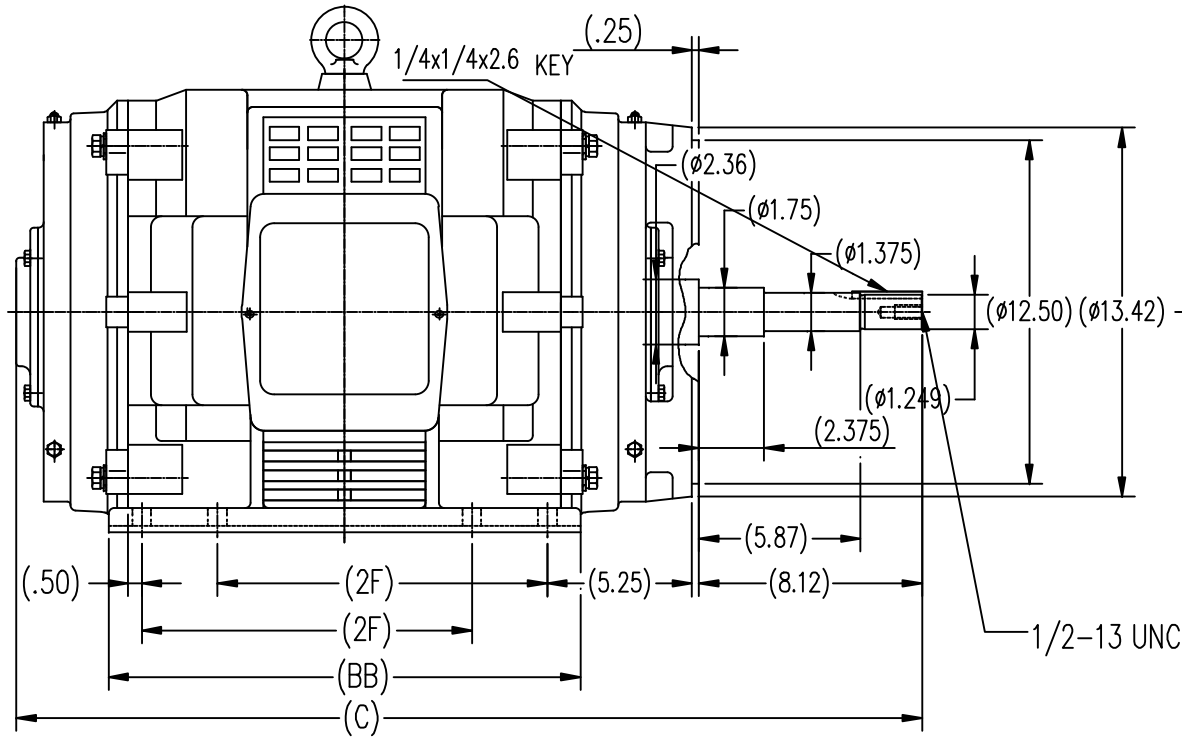


### Nameplate Specifications

Output HP	<b>50 Hp</b>	Output KW	<b>37.0 kW</b>
Frequency	<b>60 Hz</b>	Voltage	<b>575 V</b>
Current	<b>37.0 A</b>	Speed	<b>3572 rpm</b>
Service Factor	<b>1.15</b>	Phase	<b>3</b>
Efficiency	<b>93 %</b>	Power Factor	<b>89</b>
Duty	<b>Continuous</b>	Insulation Class	<b>F</b>
Design Code	<b>B</b>	KVA Code	<b>G</b>
Frame	<b>324JP</b>	Enclosure	<b>Drip Proof</b>
Thermal Protection	<b>No</b>	Ambient Temperature	<b>40 °C</b>
Drive End Bearing Size	<b>6212</b>	Opp Drive End Bearing Size	<b>6212</b>
UL	<b>Recognized</b>	CSA	<b>Y</b>
CE	<b>Y</b>	IP Code	<b>12</b>
Number of Speeds	<b>1</b>		

### Technical Specifications

Electrical Type	<b>Squirrel Cage Inverter Rated</b>	Starting Method	<b>Line Or Inverter</b>
Poles	<b>2</b>	Rotation	<b>Reversible</b>
Resistance Main	<b>.132 Ohms</b>	Mounting	<b>Rigid Base</b>
Motor Orientation	<b>Horizontal</b>	Drive End Bearing	<b>Ball</b>
Opp Drive End Bearing	<b>Ball</b>	Frame Material	<b>Cast Iron</b>
Shaft Type	<b>JP</b>	Overall Length	<b>31.82 in</b>
Frame Length	<b>14.56 in</b>	Shaft Diameter	<b>1.250 in</b>
Shaft Extension	<b>8.12 in</b>	Assembly/Box Mounting	<b>F1/F2 CAPABLE</b>
Outline Drawing	<b>SS620574-324T</b>	Connection Drawing	<b>EE7300</b>



324T	10.50	15.99	31.82
326T	12.00	17.17	33.00
FRAME	2F	BB	C

TOLERANCES UNLESS SPECIFIED		REGAL-BELOIT CORPORATION		DRAWN WY 05-23-2012				
DEC.	INCHES	CHK	ANG	CHK	ZYH 05-23-2012			
.X	±.1			APPD	WGH 05-23-2012			
.XX	±.03			SCALE	1=6			
.XXX	±.005			REF				
.XXXX	±.0005			FMF	HWADA			
				PREV				
NO.	REVISION	BY & DATE	CHK	ANG	FINISH			
THIS DRAWING IN DESIGN AND DETAIL IS OUR PROPERTY AND MUST NOT BE USED EXCEPT IN CONNECTION WITH OUR WORK ALL RIGHTS OF DESIGN AND INVENTION ARE RESERVED THIS IS AN ELECTRONICALLY GENERATED DOCUMENT - DO NOT SCALE THIS PRINT			RFP	CAD FILE	SS620574	SIZE	DRAWING NO.	REV.
			DIST			B	SS620574	

**THREE PHASE - SINGLE VOLTAGE  
MOTOR - CONDUIT BOX @ 'A'**

**TO REVERSE ROTATION:  
INTERCHANGE ANY TWO  
LINE LEAD CONNECTIONS.**

**TERMINAL BLOCK WHEN SPECIFIED**



**VIEW OF TERMINAL END**

**IF MOTOR HAS  
6 LEADS**



**A-9806 DECAL**

**OPTIONAL CORD  
CONNECTION**

- L1 WHITE
- L2 RED
- L3 BLACK

DRAWING REVISION <b>AB</b>	REVISION BY <b>JJB</b>	DATE <b>06-27-2017</b>
ECO <b>ECO-0125361</b>	APPROVED BY <b>TB</b>	DATE <b>06-27-2017</b>
ECO DESCRIPTION <b>UPDATED TO CURRENT STANDARDS</b>		
<small>COPYRIGHT REGAL BELOIT AMERICA, INC. ALL RIGHTS RESERVED.                  PROPRIETARY AND CONFIDENTIAL INFORMATION - THIS DOCUMENT IS THE PROPERTY OF                  REGAL BELOIT AMERICA, INC. ("OWNER") AND CONTAINS OWNER'S PROPRIETARY                  INFORMATION. ANY PERSON, CORPORATION OR OTHER FIRM RECEIVING IT IS DEEMED,                  BY RECEIVING IT, TO AGREE THAT IT, AND/OR ANY PART OF IT, SHALL NOT BE DISCLOSED                  TO ANY PERSON, CORPORATION OR OTHER ENTITY, DUPLICATED, AND/OR USED, EXCEPT                  AS EXPRESSLY APPROVED IN WRITING IN ADVANCE BY OWNER. THIS DOCUMENT SHALL                  BE RETURNED TO OWNER UPON REQUEST. IT MAY BE SUBJECT TO CERTAIN                  RESTRICTIONS UNDER APPLICABLE EXPORT CONTROL LAWS AND REGULATIONS.</small>		



DRAWN BY <b>DA</b>
DATE <b>03-26-1993</b>
APPROVED BY <b>TB</b>
DATE <b>03-26-1993</b>
REFERENCE
THIRD ANGLE PROJECTION

<b>Regal Beloit America, Inc.</b>		
		DESCRIPTION <b>CONNECTION DIAGRAM</b> EXTERNAL - SINGLE VOLTAGE - 3Ø MOTOR
MATERIAL	PROCESS/FINISH	
SIZE <b>A</b>	DRAWING NUMBER <b>EE7300</b>	SHEET <b>1 OF 1</b>

**CERTIFICATION DATA SHEET**

**Model#:** 324TTDCA6013 AA  
**CONN. DIAGRAM:** EE7300  
**OUTLINE:** SS620574

**WINDING#:** CHT32420002 NONE 3  
**ASSEMBLY:** F1/F2 CAPABLE

**TYPICAL MOTOR PERFORMANCE DATA**

HP	KW	SYNC. RPM	F.L. RPM	FRAME	ENCLOSURE	KVA CODE	DESIGN
50	37	3600	3572	324JP	DP	G	B

PH	Hz	VOLTS	FL AMPS	START TYPE	DUTY	INSL	S.F	AMB°C	ELEVATION
3	60	575	37	LINE OR INVERTER	CONTINUOUS	F7	1.15	40	3300

FULL LOAD EFF: 93	3/4 LOAD EFF: 93	1/2 LOAD EFF: 92.4	GTD. EFF	ELEC. TYPE	NO LOAD AMPS
FULL LOAD PF: 89	3/4 LOAD PF: 86.5	1/2 LOAD PF: 80	92.4	SQ CAGE INV RATED	12.8

F.L. TORQUE	LOCKED ROTOR AMPS	L.R. TORQUE	B.D. TORQUE	F.L. RISE°C
73.5 LB-FT	289.6	145 LB-FT 196	200 LB-FT 272	30

SOUND PRESSURE @ 3 FT.	SOUND POWER	ROTOR WK^2	MAX. WK^2	SAFE STALL TIME	STARTS /HOUR	APPROX. MOTOR WGT
78 dBA	88 dBA	5 LB-FT^2	- LB-FT^2	15 SEC.	2	500 LBS.

**\*\*\* SUPPLEMENTAL INFORMATION \*\*\***

DE BRACKET TYPE	ODE BRACKET TYPE	MOUNT TYPE	ORIENTATION	SEVERE DUTY	HAZARDOUS LOCATION	DRIP COVER	SCREENS	PAINT
C-FACE	STANDARD	RIGID	HORIZONTAL	FALSE	NONE	FALSE	NONE	BLUE (ENAMEL)

BEARINGS		GREASE	SHAFT TYPE	SPECIAL DE	SPECIAL ODE	SHAFT MATERIAL	FRAME MATERIAL
DE	OPE						
BALL	BALL	POLYREX EM	JP	NONE	NONE	1045 HOT ROLLED (C-204)	CAST IRON
6212	6212						

THERMO-PROTECTORS				THERMISTORS	CONTROL	SPACE /n HEATERS
THERMOSTATS	PROTECTORS	WDG RTDs	BRG RTDs			
NONE	NOT	NONE	NONE	NONE	FALSE	NONE VOLTS

If Inverter equals NONE, contact factory for further information

\*  
N  
O  
T  
E  
S  
\*

INVERTER TORQUE: VARIABLE 10:1
INV. HP SPEED RANGE: NONE
ENCODER: NONE
NONE NONE
NONE NONE PPR
BRAKE: NONE NONE
NONE P/N NONE
NONE NONE
NONE FT-LB NONE V NONE Hz

DATE: 06/21/2017 04:08:32 AM  
 FORM 3531 REV.3 02/07/99

\*\* Subject to change without notice.

**Data Sheet**

**Date:** 29-06-2017  
**Customer:** \_\_\_\_\_  
**Attention:** \_\_\_\_\_  
**Submitted by:** FAREEDA DUDEKULA



324TTDCA6013

**Submittal**

Data @ **575 V**

**Motor Load Data**

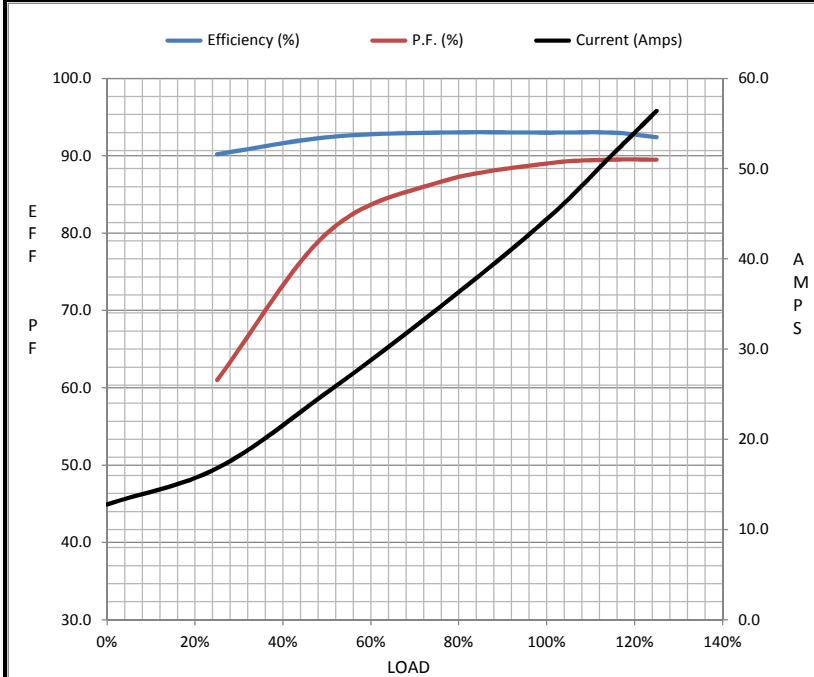
Load	0%	25%	50%	75%	100%	115%	125%	LR
Current (Amps)	12.8	16.8	25.2	34.4	44.4	51.6	56.4	290
Torque (ft-lb)	0.00	18.3	36.6	55.0	73.5	84.7	92.0	145
RPM	3600	3595	3588	3580	3570	3,568	3565	0
Efficiency (%)		90.2	92.4	93.0	93.0	93.0	92.4	
P.F. (%)	6.5	61.0	80.0	86.5	89.0	89.5	89.5	36.0

**Motor Speed Data**

	LR	Pull-Up	BD	Rated	Idle
Speed (RPM)	0	1800	3450	3570	3600
Current (Amps)	290	260	160	44.4	12.8
Torque (ft-lb)	145	105	200	73.5	0.00

**Information Block**

HP	50.0			
Sync. RPM	3600			
Frame	324			
Enclosure	DP			
Construction	TDC			
Voltage	575 V			
Frequency	60 Hz			
Design	A			
LR Code letter	G			
Service Factor	1.15			
Temp Rise @ FL	30 ° C			
Duty	CONT			
Ambient	40 ° C			
Elevation	1,000 feet			
Rotor/Shaft wk <sup>2</sup>	5.0 Lb-Ft <sup>2</sup>			
Ref Wdg	CHT32420002 NONE			
Sound Pressure @ 1M	78 dBA			
VFD Rating	VARIABLE 10:1			
Outline Dwg	SS620574			
Conn. Diag	EE7300			
Additional Specifications:				
0				
365THFS8036				
EQUIV CKT (OHMS / PHASE)				
R1	R2	X1	X2	Xm
0.1380	0.0640	0.6040	0.7120	25.2390



**Speed - Torque Curve**

