

PRODUCT INFORMATION PACKET

marathon®
Motors

Model No: 324TTDCA4026

Catalog No: E1726

General Purpose Motor, 40 & 30 HP, 3 Ph, 60 & 50 Hz, 208-230/460 & 190/380 V, 1800 & 1500 RPM,
324T Frame, DP

Regal and Marathon are trademarks of Regal Rexnord Corporation or one of its affiliated companies.

©2023 Regal Rexnord Corporation, All Rights Reserved. MC017097E

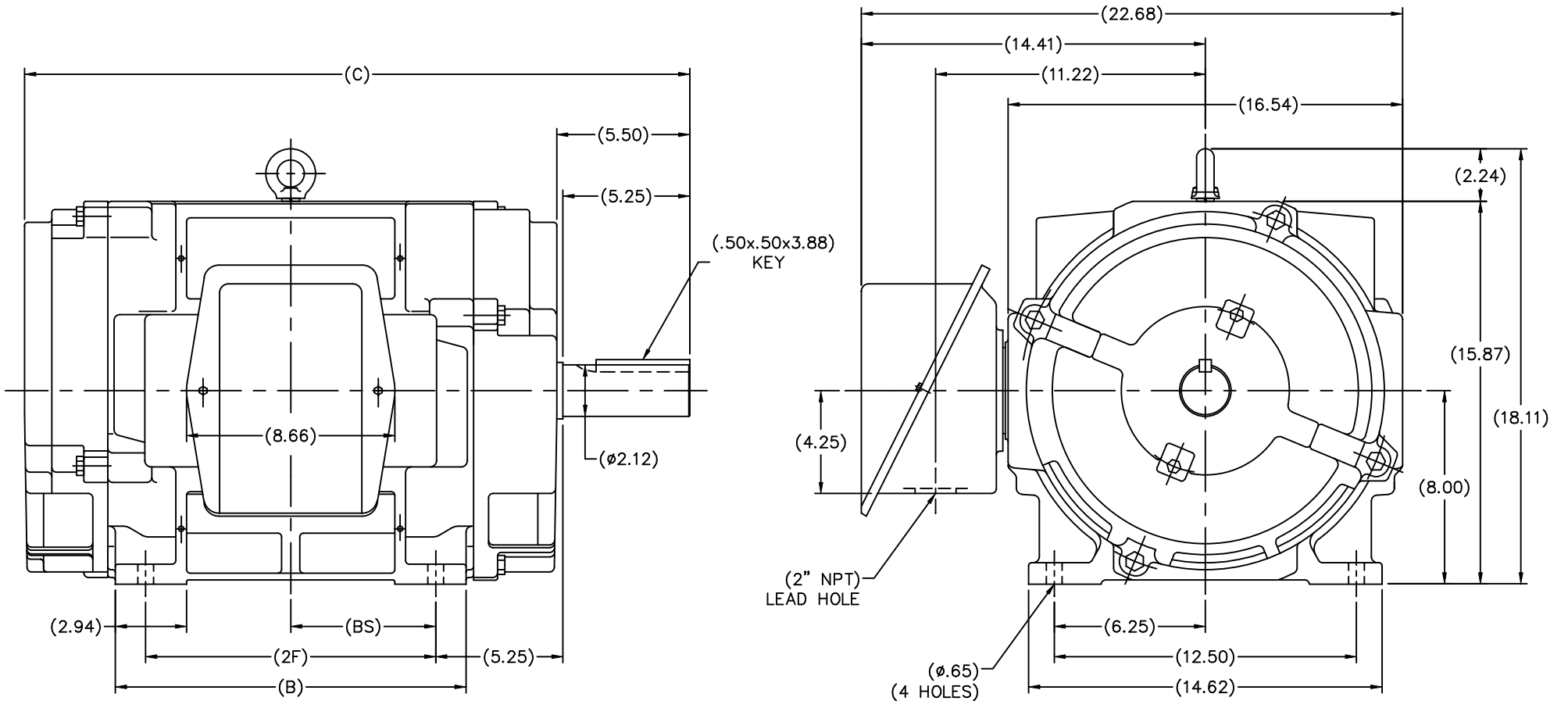
The logo for Regal Rexnord, featuring a stylized 'R' icon followed by the text 'RegalRexnord'.

Nameplate Specifications

Phase	3	Output HP	40 & 30 Hp
Output KW	30.0 & 22.4 kW	Voltage	208-230/460 & 190/380 V
Speed	1785 & 1485 rpm	Service Factor	1.25 & 1.15
Frame	324T	Enclosure	Drip Proof
Thermal Protection	No Protection	Efficiency	93.6 & 93.6 %
Ambient Temperature	40 °C	Frequency	60 & 50 Hz
Current	107-95/47.5 & 87/43.5 A	Power Factor	83.5
Duty	Continuous	Insulation Class	F
Design Code	B	KVA Code	F
Drive End Bearing Size	6312	Opp Drive End Bearing Size	6311
UL	Recognized	CSA	Y
CE	Y	IP Code	12
Number of Speeds	1		

Technical Specifications

Electrical Type	Squirrel Cage Induction Run	Starting Method	Across The Line
Poles	4	Rotation	Reversible
Resistance Main	.1843 Ohms	Mounting	Rigid Base
Motor Orientation	Horizontal	Drive End Bearing	Ball
Opp Drive End Bearing	Ball	Frame Material	Cast Iron
Shaft Type	T	Overall Length	26.06 in
Shaft Diameter	2.125 in	Shaft Extension	5.25 in
Assembly/Box Mounting	F1/F2 CAPABLE		
Outline Drawing	B-SS620040	Connection Drawing	A-EE7308



(MAY NOT BE DRAWN TO SCALE)

ALL DIMENSIONS IN TABLE ARE CONSIDERED REFERENCE

TTDC 324T	26.06	13.00	10.50	5.25
TTDC 326T	27.56	14.50	12.00	6.00
FRAME	C	B	2F	BS

		TOLERANCES UNLESS SPECIFIED				DRAWN MSG 03-16-2007	
		DEC.	INCHES			CHK	ML
		.X	±.1			APPD	SB 03-20-2007
		.XX	±.03	TITLE		SCALE	1=4
		.XXX	±.005	OUTLINE		REF	0232400006
		.XXXX	±.0005	324/326TTDC		FMF	HUADA
				MATL.		PREV	
NO.	REVISION	BY & DATE	CHK	ANG	±7'30"	FINISH	
THIS DRAWING IN DESIGN AND DETAIL IS OUR PROPERTY AND MUST NOT BE USED EXCEPT IN CONNECTION WITH OUR WORK ALL RIGHTS OF DESIGN AND INVENTION ARE RESERVED THIS IS AN ELECTRONICALLY GENERATED DOCUMENT - DO NOT SCALE THIS PRINT				RFP		CAD FILE	ss620040
				DIST		SIZE	DRAWING NO. PAGE OF REV.
						B	SS620040

EE7308

THREE PHASE
DUAL VOLTAGE MOTOR



VIEW OF TERMINAL END

REF.
WINDING DIAGRAM

T8Y, T2Y, T2BL, T4BX, T2EC, T2G
T6BZ, T2B, T6BL, T4AV, T6B, T4B

OPTIONAL CORD
CONNECTION

L1 — WHITE
L2 — RED
L3 — BLACK

NO.	REVISION	BY & DATE	CHK	ANG	TOLERANCES UNLESS SPECIFIED		FINISH	DRAWN RM 11/20/1990				
					DEC.	INCHES						
5	CHG TO REGAL LOGO	SL 09/10/2015	AB					CHK ML 11/21/1990				
4	REVISED IEC NOTATIONS	MSG 11/15/2011	CMN	.X	±.1			APPD SAS 04/24/2003				
3	ADDED IEC NOTATIONS... (U1), (V1) ETC. MU95194	MSG 5/10/2010	MJS	.XX	±.02		TITLE CONNECTION DIAGRAM	SCALE 1=1				
2	ADDED THE OPTIONAL CORD CONNECTION MU46318	RDH 04/24/2003	DRS	.XXX	±.005		3Ø - DUAL VOLTAGE MOTOR	REF				
1	REDRAWN	RM 11/20/1990		.XXXX	±.0005		MAT'L.	FMF				
					±7'30"			PREV				
THIS DRAWING IN DESIGN AND DETAIL IS OUR PROPERTY AND MUST NOT BE USED EXCEPT IN CONNECTION WITH OUR WORK ALL RIGHTS OF DESIGN AND INVENTION ARE RESERVED THIS IS AN ELECTRONICALLY GENERATED DOCUMENT - DO NOT SCALE THIS PRINT							RFP	CAD FILE ee7308	SIZE A	DRAWING NO. EE7308	PAGE OF 5	REV. 5
							DIST WP					

