

PRODUCT INFORMATION PACKET

marathon[®]
Motors

Model No: 324TSTGP4036

Catalog No: U078

Other Purpose Motor, 40 & 30 HP, 3 Ph, 60 & 50 Hz, 230/460 & 190/380 V, 1800 & 1500 RPM,
324TS Frame, EPFC

Regal and Marathon are trademarks of Regal Rexnord Corporation or one of its affiliated companies.

©2023 Regal Rexnord Corporation, All Rights Reserved. MC017097E

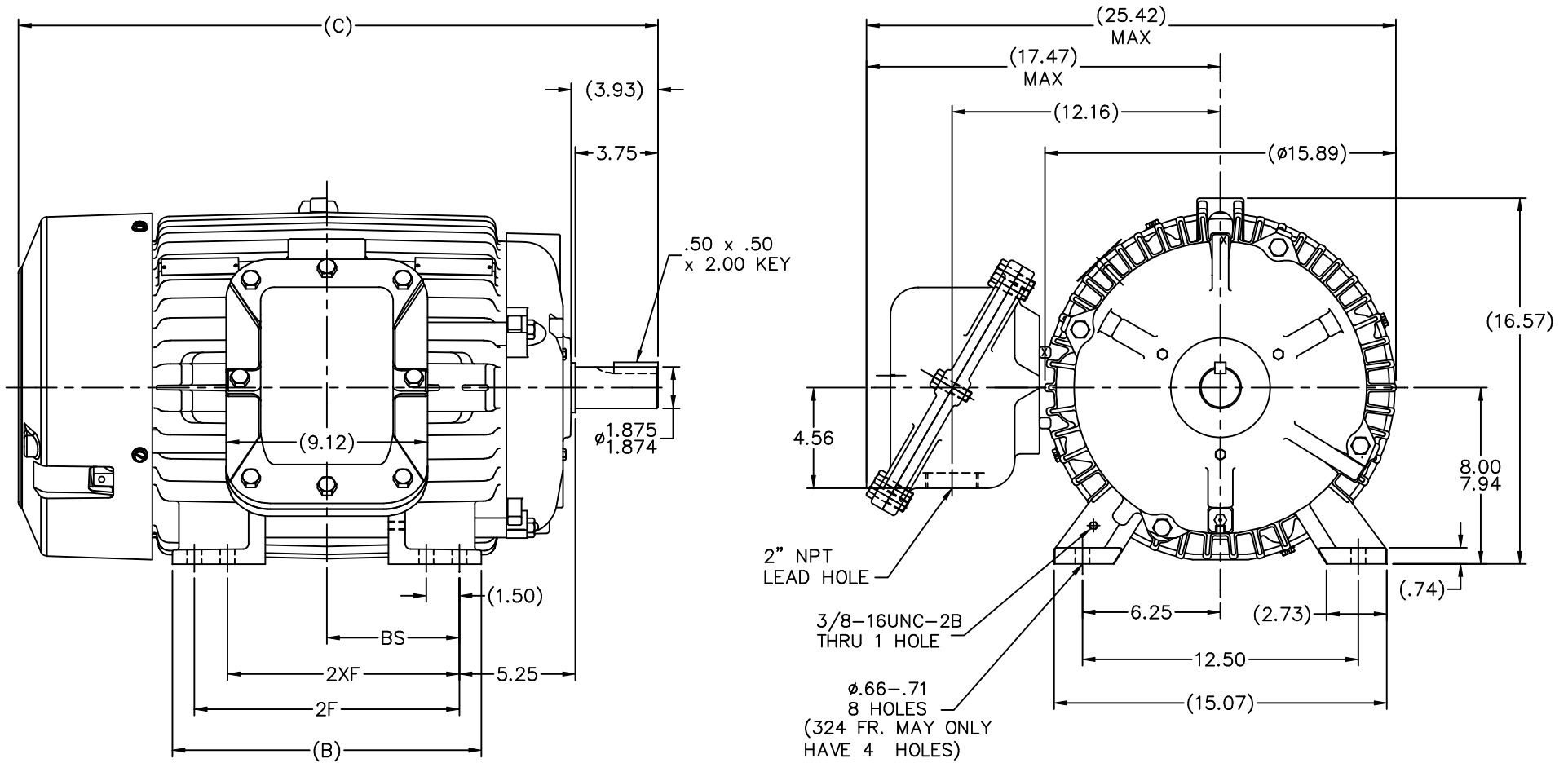
The logo for Regal Rexnord, featuring a stylized 'R' icon followed by the text 'RegalRexnord'.

Nameplate Specifications

Phase	3	Output HP	40 & 30 Hp
Output KW	30.0 & 22.4 kW	Voltage	230/460 & 190/380 V
Speed	1762 & 1470 rpm	Service Factor	1.0 & 1.0
Frame	324TS	Enclosure	Explosion Proof Fan cooled
Thermal Protection	No Protection	Efficiency	93 & 93.6 %
Ambient Temperature	40 °C	Frequency	60 & 50 Hz
Current	100/50 & 91/45.5 A	Power Factor	81
Duty	Continuous	Insulation Class	F
Design Code	B	KVA Code	G
Drive End Bearing Size	6312	Opp Drive End Bearing Size	6311
UL	Listed	CSA	Y
CE	N	IP Code	54
Number of Speeds	1		

Technical Specifications

Electrical Type	Squirrel Cage Inverter Rated	Starting Method	Line Or Inverter
Poles	4	Rotation	Reversible
Resistance Main	.165 Ohms	Mounting	Rigid Base
Motor Orientation	Horizontal	Drive End Bearing	Ball
Opp Drive End Bearing	Ball	Frame Material	Cast Iron
Shaft Type	TS	Overall Length	27.47 in
Frame Length	14.75 in	Shaft Diameter	1.875 in
Shaft Extension	3.75 in	Assembly/Box Mounting	F1 ONLY
Connection Drawing	A-EE7308T	Outline Drawing	B-SS311002-1475



- NOTES:
 1. BOX CAN ONLY BE ROTATED CLOCKWISE UP TO 270° FROM ITS ORIGINAL POSITION.
 2. NAMEPLATE TO BE READ FROM CONDUIT BOX SIDE OF MOTOR.

DASH	FRAME	B	C	2F	2XF	BS
1475	324TS	14.00	27.47	10.50		5.25
1625	326TS	14.00	28.97	12.00	10.50	6.00

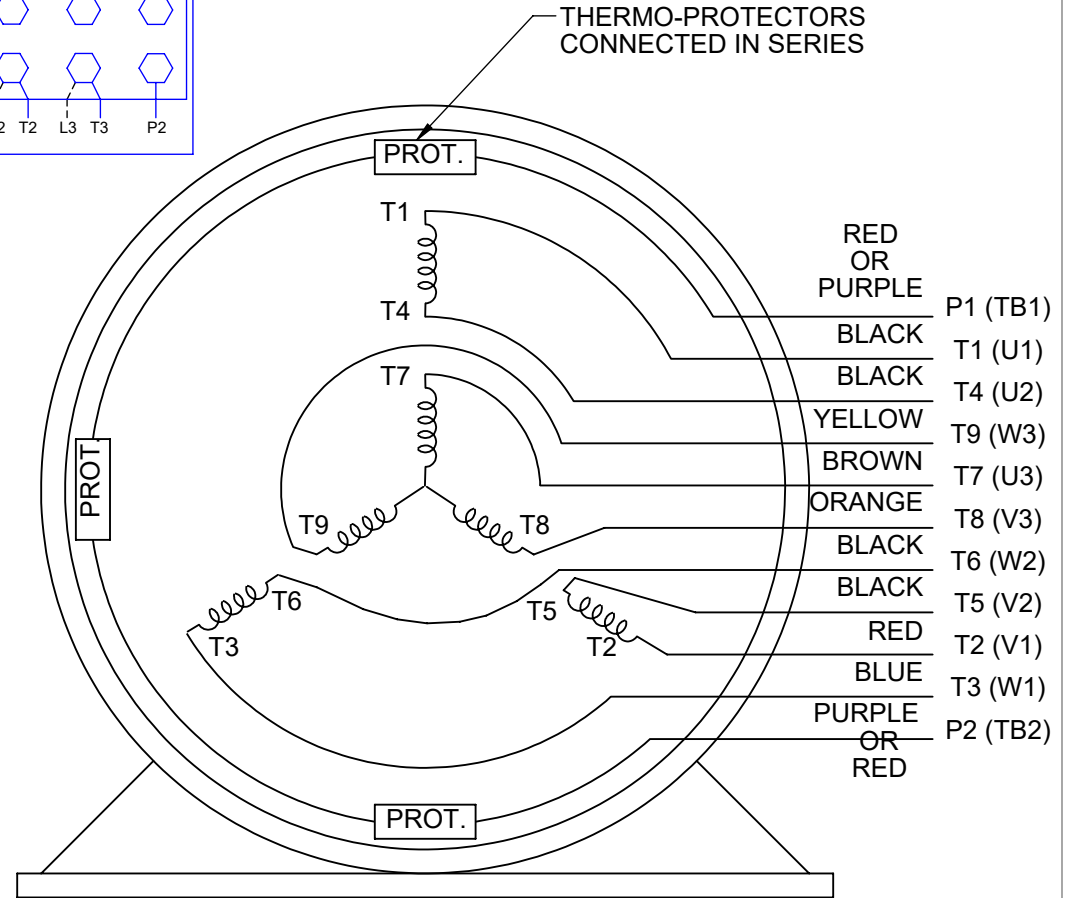
		TOLERANCES UNLESS SPECIFIED		MARATHON ELECTRIC		DRAWN DA 03-25-1999	
NO.	REVISION	BY & DATE	CHK	ANG	FINISH	PREV	
5	REDRAWN IN AUTOCAD	TAT 06-28-2004	ML	DEC.	INCHES		CHK ML 04-14-1999
4	DASH 1475 (B) 14.00 WAS 12.50	CN 29200-1468	HLB	02-26-2001	.X	±.1	APPD SW 04-14-1999
3	UPDATED 'C' BOX GEOMETRY PER CAST. CHG. CN 29010	DRS 01-31-2000		.XX	±.03		SCALE 7-32
2	REVISED 'C' DIMENSION FOR C.I. FAN GUARD.	DA 07-12-1999		.XXX	±.005		REF
	REVISED CONDUIT BOX	CN 2700-239		.XXXX	±.0005		FMF
					±7°30"		PREV
THIS DRAWING IN DESIGN AND DETAIL IS OUR PROPERTY AND MUST NOT BE USED EXCEPT IN CONNECTION WITH OUR WORK ALL RIGHTS OF DESIGN AND INVENTION ARE RESERVED THIS IS AN ELECTRONICALLY GENERATED DOCUMENT - DO NOT SCALE THIS PRINT						RFP	CAD FILE ss311002
						DIST LB	SIZE B DRAWING NO. SS311002 PAGE OF 5

HIGH VOLTAGE



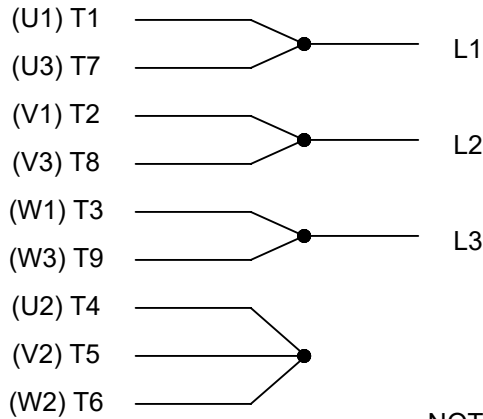
**THREE PHASE
DUAL VOLTAGE MOTOR**

THERMO-PROTECTORS
CONNECTED IN SERIES



NOTE FOR FACTORY USE ONLY:
TO SURGE TEST FOR COMMON CONNECT:
HIGH VOLT: CONNECT P1 TO T1
THEN P2 TO L1
LOW VOLT: CONNECT P1 TO T1 & T7,
THEN P2 TO L1

LOW VOLTAGE



VIEW OF TERMINAL END

NOTE: LEAD'S COLOR CAN BE YELLOW OR WHITE FOR MT2 PLANT

DRAWING REVISION T	REVISION BY ZR	DATE 01-14-2019		DRAWN BY SMC	Regal Beloit America, Inc.
ECO ECO-0159915	APPROVED BY DR	DATE 01-15-2019		DATE 05-13-1992	
ECO DESCRIPTION ADDED TERMINAL CONNECTION DIAGRAM				APPROVED BY TB	DESCRIPTION CONN DIAGRAM-INTERNAL 3 PHASE - DUAL VOLTAGE MOTOR
<small>COPYRIGHT REGAL BELOIT AMERICA, INC. ALL RIGHTS RESERVED. PROPRIETARY AND CONFIDENTIAL INFORMATION - THIS DOCUMENT IS THE PROPERTY OF REGAL BELOIT AMERICA, INC. ("OWNER") AND CONTAINS OWNER'S PROPRIETARY INFORMATION. ANY PERSON, CORPORATION OR OTHER FIRM RECEIVING IT IS DEEMED, BY RECEIVING IT, TO AGREE THAT IT, AND/OR ANY PART OF IT, SHALL NOT BE DISCLOSED TO ANY PERSON, CORPORATION OR OTHER ENTITY, DUPLICATED, AND/OR USED, EXCEPT AS EXPRESSLY APPROVED IN WRITING IN ADVANCE BY OWNER. THIS DOCUMENT SHALL BE RETURNED TO OWNER UPON REQUEST. IT MAY BE SUBJECT TO CERTAIN RESTRICTIONS UNDER APPLICABLE EXPORT CONTROL LAWS AND REGULATIONS.</small>				DATE 05-13-1992	MATERIAL
			REFERENCE EE7308/EE7300	THIRD ANGLE PROJECTION	SIZE A