

PRODUCT INFORMATION PACKET

marathon®
Motors

Model No: 324TSTDP4070

Catalog No: U444

Other Purpose Motor, 40 & 30 HP, 3 Ph, 60 & 50 Hz, 230/460 & 190/380 V, 1800 & 1500 RPM,
324TSC Frame, DP



Regal and Marathon are trademarks of Regal Rexnord Corporation or one of its affiliated companies.

©2023 Regal Rexnord Corporation, All Rights Reserved. MC017097E

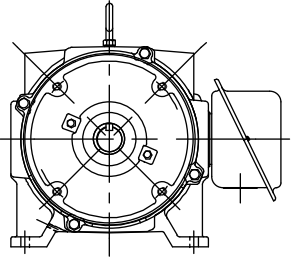
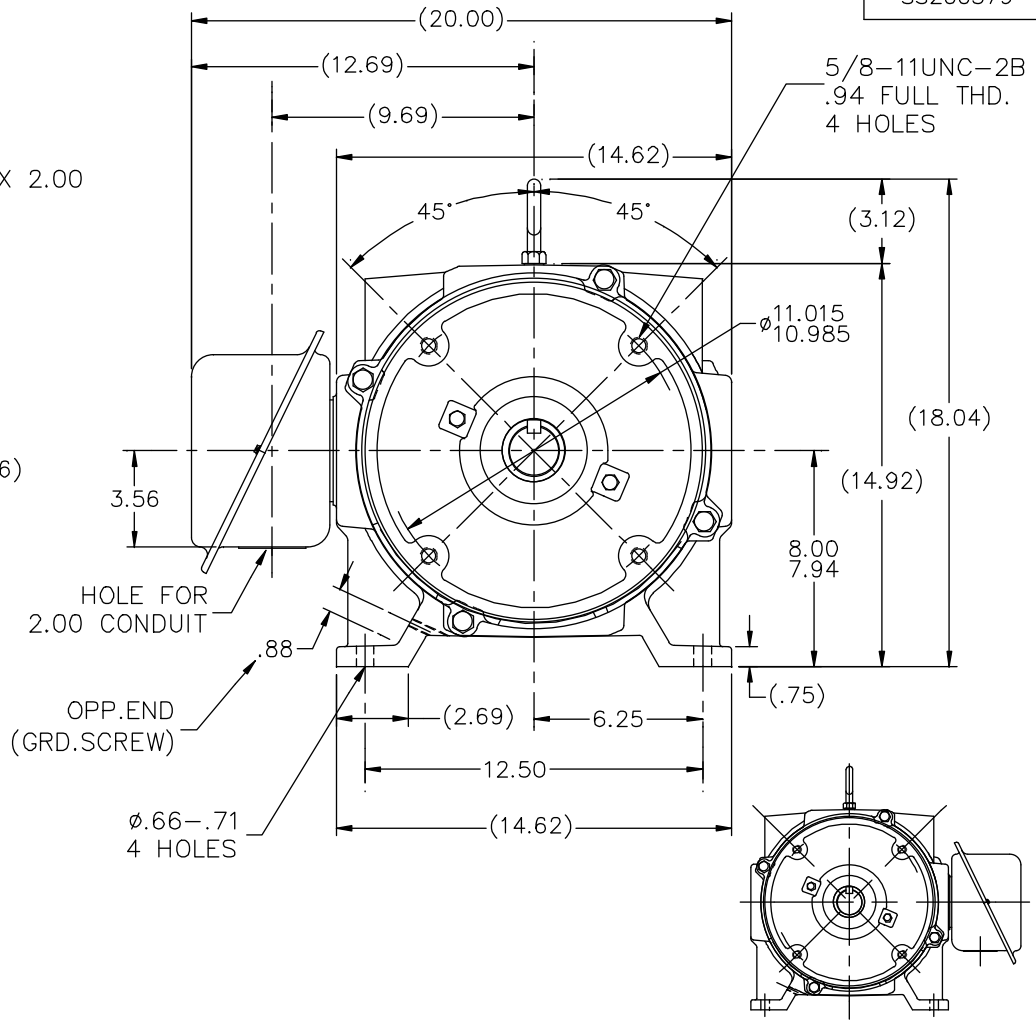
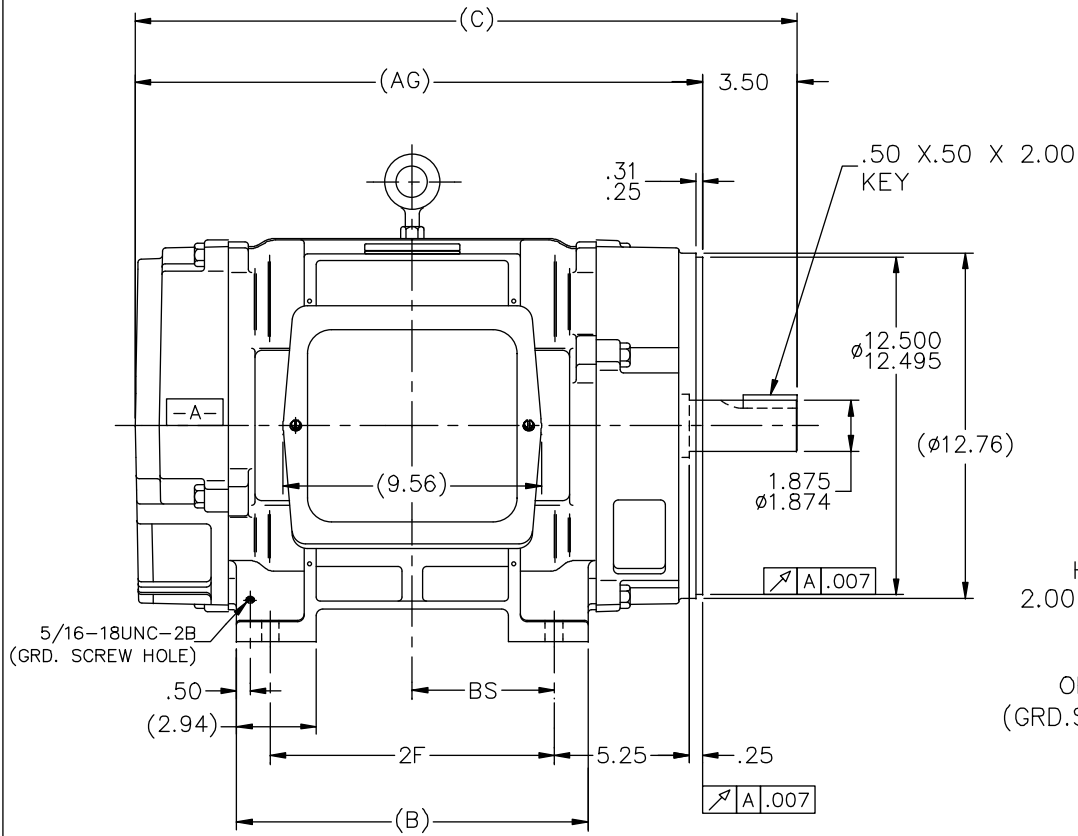
RegalRexnord

Nameplate Specifications

Phase	3	Output HP	40 & 30 Hp
Output KW	30.0 & 22.4 kW	Voltage	230/460 & 190/380 V
Speed	1770 & 1475 rpm	Service Factor	1.15 & 1.15
Frame	324TSC	Enclosure	Drip Proof
Thermal Protection	No Protection	Efficiency	93 & 93 %
Ambient Temperature	40 °C	Frequency	60 & 50 Hz
Current	97/48.5 & 88/44 A	Power Factor	82.5
Duty	Continuous	Insulation Class	B
Design Code	B	KVA Code	F
Drive End Bearing Size	6312	Opp Drive End Bearing Size	6311
UL	Recognized	CSA	Y
CE	Y	IP Code	12
Number of Speeds	1		

Technical Specifications

Electrical Type	Squirrel Cage Induction Run	Starting Method	Part Wdg Start Low Volt Only & Wye Start Delta Run
Poles	4	Rotation	Reversible
Resistance Main	.165 Ohms	Mounting	Rigid Base
Motor Orientation	Horizontal	Drive End Bearing	Ball
Opp Drive End Bearing	Ball	Frame Material	Cast Iron
Shaft Type	TS	Overall Length	24.50 in
Frame Length	13.62 in	Shaft Diameter	1.875 in
Shaft Extension	3.75 in	Assembly/Box Mounting	F1/F2 CAPABLE
Connection Drawing	A-EE7358	Outline Drawing	B-SS200379-1362



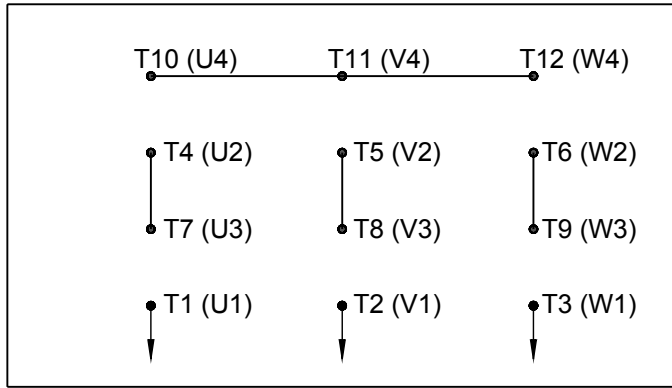
- NOTES:
 1. BOX CAN BE ROTATED IN 90° STEPS
 2. BOX CAN BE MOUNTED ON OPPOSITE SIDE BY REMOVING BRACKETS AND TURNING FRAME 180°
 3. NAMEPLATE TO BE READ FROM CONDUIT BOX SIDE OF MOTOR

DASH	FRAME	B	C	2F	BS	AG
1362	324TSC	13.00	24.50	10.50	5.25	21.00
1512	326TSC	14.50	26.00	12.00	6.00	22.50

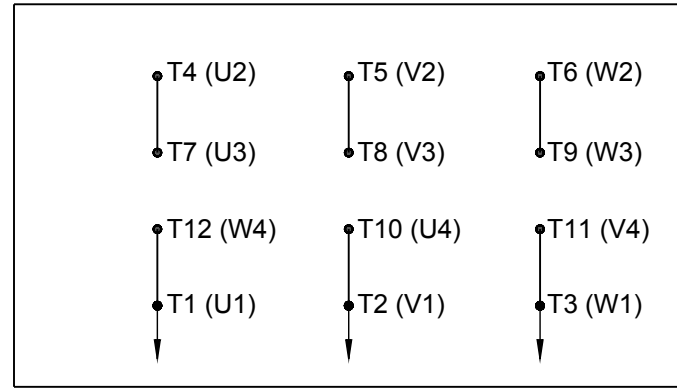
		TOLERANCES UNLESS SPECIFIED		MARATHON ELECTRIC		DRAWING DA 05-22-1992	
NO.	REVISION	BY & DATE	CHK	ANG	FINISH	SCALE	PREV
6	ADDED F2 VIEW	CDP 09-08-2011	CMN	DEC.	INCHES		CHK TB 05-22-1992
5	REDRAWN IN AUTOCAD	TAT 06-29-2004	ML	.X	±.1		APPD GK 05-22-1992
4	REVISED TO NEC CONDUIT BOX CN 28428	NJS 02-16-2000		.XX	±.03	TITLE OUTLINE - DR. PR. - CAST IRON	SCALE 7-32
3	ADDED 5/16 GROUND SCREW HOLE CN 21725-1005	DRS 11-05-1996		.XXX	±.005	320TSC FR. - BB - TS - D.E.V.	REF
2	UPDATED SHAFT HEIGHT CN 16763	DRS 08-16-1996		.XXXX	±.0005	MAT'L.	FMF
					±7'30"		PREV
THIS DRAWING IN DESIGN AND DETAIL IS OUR PROPERTY AND MUST NOT BE USED EXCEPT IN CONNECTION WITH OUR WORK ALL RIGHTS OF DESIGN AND INVENTION ARE RESERVED THIS IS AN ELECTRONICALLY GENERATED DOCUMENT - DO NOT SCALE THIS PRINT						CAD FILE ss200379	SIZE B
						DIST LB	DRAWING NO. SS200379
							PAGE OF 5

HIGH VOLTAGE

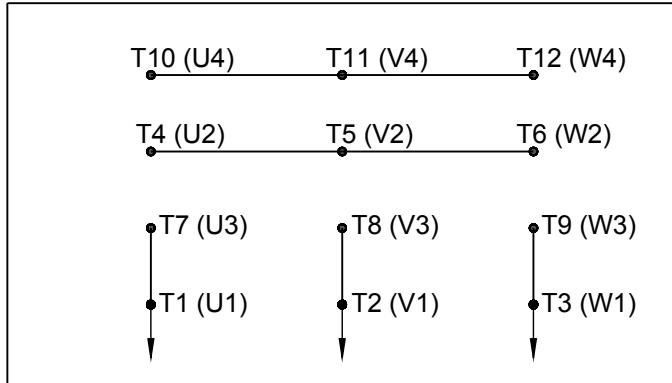
WYE START



DELTA RUN

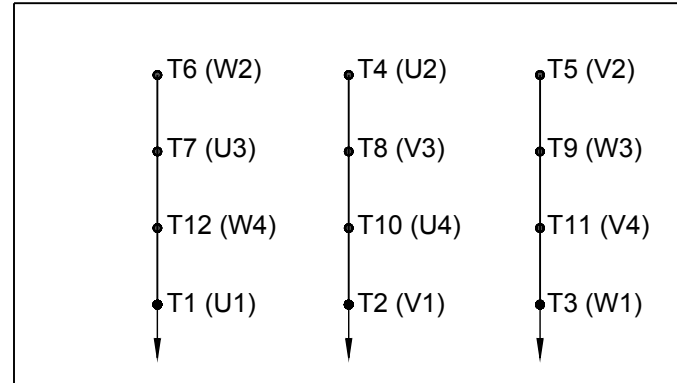


WYE START



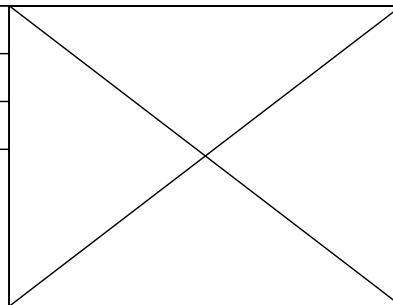
LOW VOLTAGE


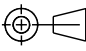
DELTA RUN



4/2 CKTY \triangle

DRAWING REVISION D	REVISION BY JWO	DATE 01-26-2016
ECO ECO-0092547	APPROVED BY TB	DATE 01-26-2016
ECO DESCRIPTION ADDED IEC MARKINGS		



DRAWN BY BLR	 Regal Beloit America, Inc.		
DATE 03-09-1998			
APPROVED BY GK	DESCRIPTION CONN DIAGRAM-EXTERNAL 12 LEAD - DUAL VOLT. - WYE START - DELTA RUN		
DATE 03-23-1998			
REFERENCE	MATERIAL	PROCESS/FINISH	
THIRD ANGLE PROJECTION 	SIZE A	DRAWING NUMBER EE7358	SHEET 1 OF 1

COPYRIGHT REGAL BELOIT AMERICA, INC. ALL RIGHTS RESERVED. PROPRIETARY AND CONFIDENTIAL INFORMATION - THIS DOCUMENT IS THE PROPERTY OF REGAL BELOIT AMERICA, INC. ("OWNER") AND CONTAINS OWNER'S PROPRIETARY INFORMATION. ANY PERSON, CORPORATION OR OTHER FIRM RECEIVING IT IS DEEMED, BY RECEIVING IT, TO AGREE THAT IT, AND/OR ANY PART OF IT, SHALL NOT BE DISCLOSED TO ANY PERSON, CORPORATION OR OTHER ENTITY, DUPLICATED, AND/OR USED, EXCEPT AS EXPRESSLY APPROVED IN WRITING IN ADVANCE BY OWNER. THIS DOCUMENT SHALL BE RETURNED TO OWNER UPON REQUEST. IT MAY BE SUBJECT TO CERTAIN RESTRICTIONS UNDER APPLICABLE EXPORT CONTROL LAWS AND REGULATIONS.