

PRODUCT INFORMATION PACKET

Model No: 324TSTDBD6003

Catalog No: GT0276

Globetrotter® General Purpose Motor, 50 & 40 HP, 3 Ph, 60 & 50 Hz, 208-230/460 & 190/380 V,
3600 & 3000 RPM, 324TSC Frame, DP



Regal and Marathon are trademarks of Regal Rexnord Corporation or one of its affiliated companies.

©2023 Regal Rexnord Corporation, All Rights Reserved. MC017097E

Nameplate Specifications

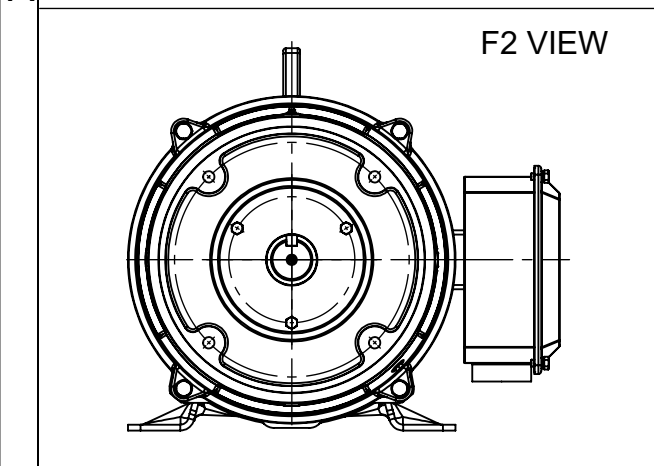
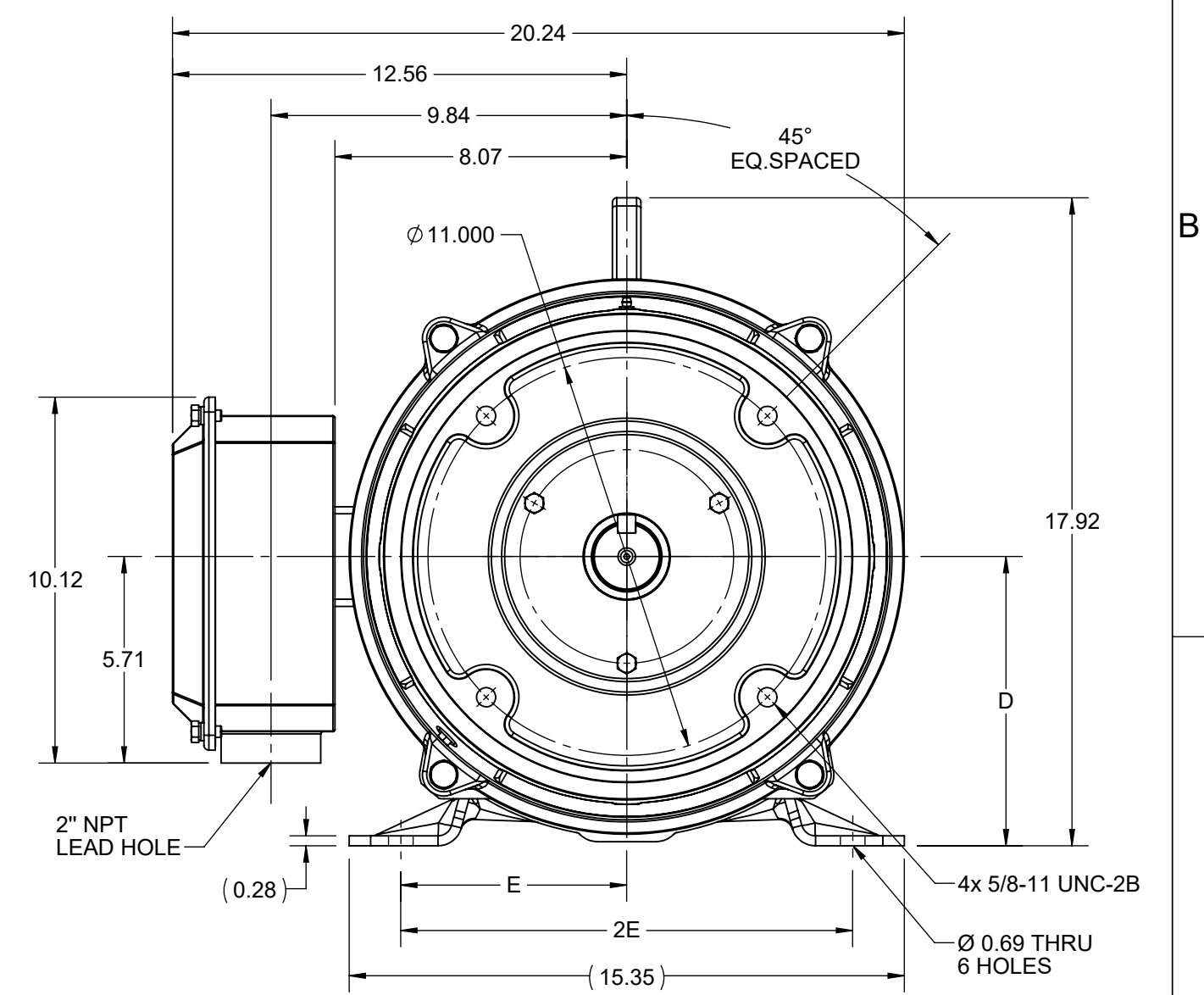
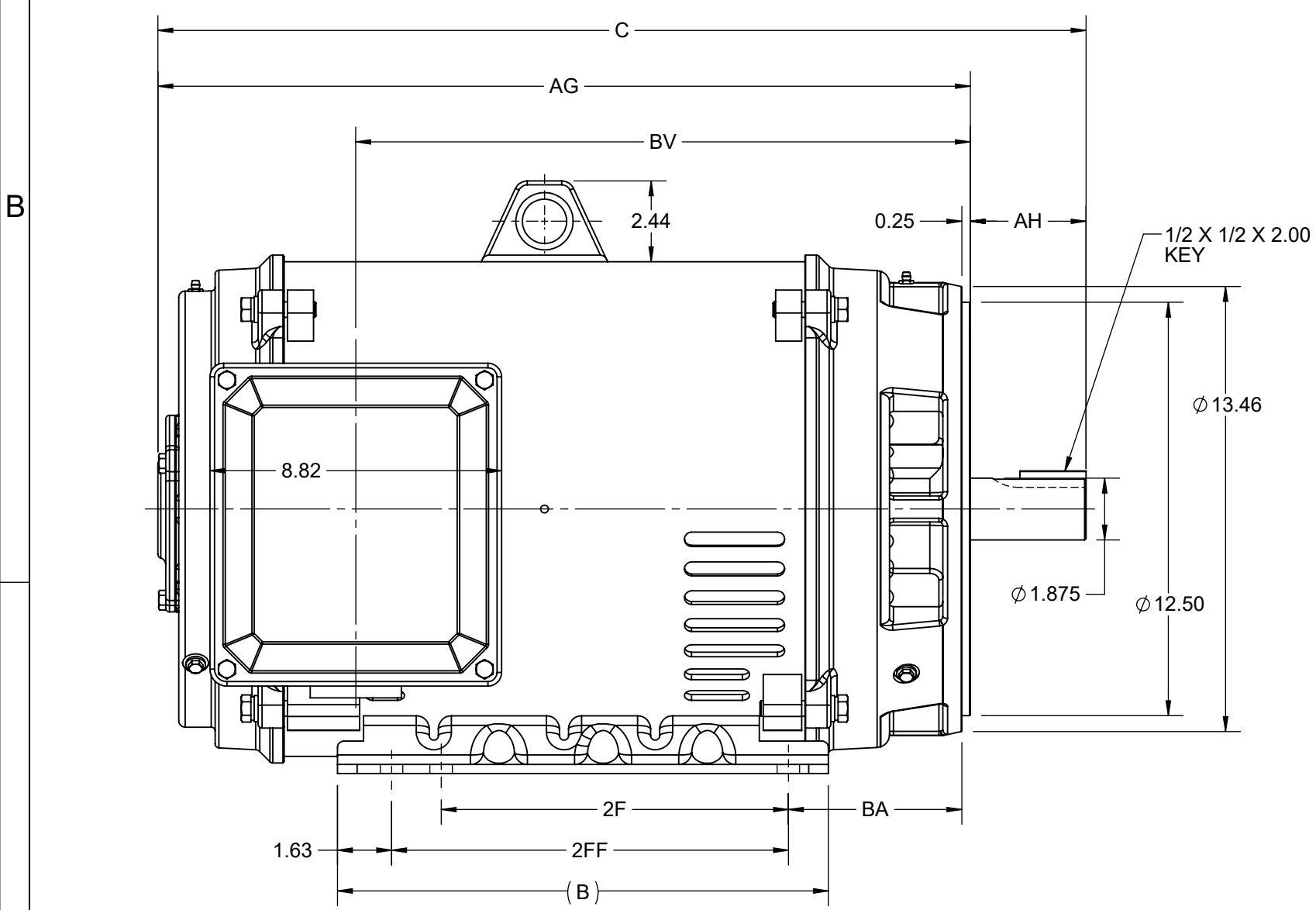
| | | | |
|------------------------|------------------------------------|----------------------------|------------------------------------|
| Phase | 3 | Output HP | 50 & 40 Hp |
| Output KW | 37.0 & 30.0 kW | Voltage | 208-230/460 & 190/380 V |
| Speed | 3565 & 2965 rpm | Service Factor | 1.15 & 1.15 |
| Frame | 324TSC | Enclosure | Drip Proof |
| Thermal Protection | No Protection | Efficiency | 93 & 92.7 % |
| Ambient Temperature | 40 °C | Frequency | 60 & 50 Hz |
| Current | 127-115/57.5 & 112/56 A | Power Factor | 87.5 |
| Duty | Continuous | Insulation Class | F |
| Design Code | B | KVA Code | F |
| Drive End Bearing Size | 6212 | Opp Drive End Bearing Size | 6212 |
| UL | Recognized | CSA | Y |
| CE | Y | IP Code | 22 |
| Number of Speeds | 1 | | |

Technical Specifications

| | | | |
|-----------------------|-------------------------------------|-------------------|---|
| Electrical Type | Squirrel Cage Inverter Rated | Starting Method | Part Wdg Start Low Volt Only & Wye Start Delta Run Or Inverter |
| Poles | 2 | Rotation | Reversible |
| Resistance Main | .1708 Ohms | Mounting | Rigid Base |
| Motor Orientation | Horizontal | Drive End Bearing | Ball |
| Opp Drive End Bearing | Ball | Frame Material | Rolled Steel |
| Shaft Type | TS | Shaft Diameter | 2.125 in |
| Assembly/Box Mounting | F1/F2 CAPABLE | Inverter Load | CONSTANT 4:1/VARIABLE 10:1 |
| Connection Drawing | EE7308AA | Outline Drawing | SS620745-100 |

This is an uncontrolled document once printed or downloaded and is subject to change without notice. Date Created:06/22/2023

| DASH NO. | B | C | D | E | 2E | 2F | 2FF | AG | AH | BA | BV | MOUNTING | FRAME |
|----------|-------|-------|------|------|-------|-------|-------|-------|------|------|-------|----------|--------|
| 100 | 14.85 | 26.85 | 8.00 | 6.25 | 12.50 | 10.50 | 12.00 | 23.35 | 3.50 | 5.25 | 17.40 | F1 OR F2 | 324TSC |
| 200 | | 24.57 | | | | | | 18.58 | | | | | 326TSC |



| | | |
|---|-----------------------|-------------------------------|
| DRAWING REVISION C | REVISION BY GOPI J | REV DATE/© DATE 27/01/2022 |
| REQUEST NUMBER CR-0006568 | APPROVED BY SBD | DATE 27/01/2022 |
| REQUEST NUMBER DESCRIPTION VIEWS UPDATED AS PER 3D | | |
| <small>COPYRIGHT (PER REVISION DATE) REGAL BELOIT AMERICA, INC. ALL RIGHTS RESERVED. PROPRIETARY AND CONFIDENTIAL INFORMATION - THIS DOCUMENT IS THE PROPERTY OF REGAL BELOIT AMERICA, INC. ("OWNER") AND CONTAINS OWNER'S PROPRIETARY INFORMATION. ANY PERSON, CORPORATION OR OTHER FIRM RECEIVING IT IS DEEMED, BY RECEIVING IT, TO AGREE THAT IT, AND/OR ANY PART OF IT, SHALL NOT BE DISCLOSED TO ANY PERSON, CORPORATION OR OTHER ENTITY, DUPLICATED, AND/OR USED, EXCEPT AS EXPRESSLY APPROVED IN WRITING IN ADVANCE BY OWNER. THIS DOCUMENT SHALL BE RETURNED TO OWNER UPON REQUEST. IT MAY BE SUBJECT TO CERTAIN RESTRICTIONS UNDER APPLICABLE EXPORT CONTROL LAWS AND REGULATIONS.</small> | | |

PRIMARY DIMENSIONS ARE INCH
mm DIMENSIONS IN [BRACKETS]
ARE FOR REFERENCE ONLY

| | | |
|-------------------------|--|----------------------------|
| DRAWN BY ZHU XIAOWEI | Regal Rexnord Regal Beloit America, Inc. | |
| DATE 18/10/2016 | DESCRIPTION OUTLINE 324/326TSC FR NEMA ODP RS | |
| APPROVED BY | MATERIAL | PROCESS/FINISH |
| DATE | SIZE B | DRAWING NUMBER SS620745 |
| REFERENCE | THIRD ANGLE PROJECTION | SHEET 1 OF 1 |



LOW VOLTAGE



HIGH VOLTAGE



| | | |
|--|------------------------------|---------------------------|
| DRAWING REVISION K | REVISION BY AJW | DATE 07-17-2015 |
| ECO ECO-0081632 | APPROVED BY T. VUE | DATE 07-17-2015 |
| ECO DESCRIPTION REV'D IEC MARKINGS PER IEC 60034-8 | | |
| COPYRIGHT REGAL BELOIT AMERICA, INC. ALL RIGHTS RESERVED. PROPRIETARY AND CONFIDENTIAL INFORMATION - THIS DOCUMENT IS THE PROPERTY OF REGAL BELOIT AMERICA, INC. ("OWNER") AND CONTAINS OWNER'S PROPRIETARY INFORMATION. ANY PERSON, CORPORATION OR OTHER FIRM RECEIVING IT IS DEEMED, BY RECEIVING IT, TO AGREE THAT IT, AND/OR ANY PART OF IT, SHALL NOT BE DISCLOSED TO ANY PERSON, CORPORATION OR OTHER ENTITY, DUPLICATED, AND/OR USED, EXCEPT AS EXPRESSLY APPROVED IN WRITING IN ADVANCE BY OWNER. THIS DOCUMENT SHALL BE RETURNED TO OWNER UPON REQUEST. IT MAY BE SUBJECT TO CERTAIN RESTRICTIONS UNDER APPLICABLE EXPORT CONTROL LAWS AND REGULATIONS. | | |



| | | |
|---------------------------|---|-----------------------------------|
| DRAWN BY LZ | Regal Beloit America, Inc. | |
| DATE 01-12-1994 | | |
| APPROVED BY GK | DESCRIPTION CONN DIAGRAM-EXTERNAL | |
| DATE 01-14-1994 | 3Ø-2/1 DELTA-12 LEADS | |
| REFERENCE | MATERIAL | PROCESS/FINISH |
| THIRD ANGLE PROJECTION | SIZE A | DRAWING NUMBER EE7308AA |
| | | SHEET 1 OF 1 |

EC Declaration of Conformity

The undersigned representing
the manufacturer:

Regal Beloit America
100 East Randolph St.
Wausau, WI 54401

and the authorized representative
established within the Community:

Marathon Electric UK
6F Thistleton Road Ind. Estate
Market Overton
Oakham, Rutland LE15 7PP UK

are committed to providing customers with products that comply with applicable regulations and international protocols to which they are subject, including the requirements of the European Parliament Directive on the Harmonization of the laws relating to electrical equipment designed for use within certain voltage limits (2014/35/EU).

Regal Beloit America declares that the following product(s), to which this declaration relates, are in conformity with the relevant sections of the EC standards listed below.

This statement supersedes any statements previously issued pertaining to the product(s) listed below and is subject to change without notice.

Model No : 324TSTDBD6003

(Model No. may contain prefix and/or suffix characters)

Catalog No : GT0276

Rework No : N/A

Directives :

Low Voltage Directive 2014/35/EU

Harmonized Standards Used :

EN 60034-1: 2010 (IEC 60034-1: 2010)

EN 60034-5: 2001/A1:2007 (IEC 60034-5: 2000/A1:2006)

Authorized Representative:



Michael A. Logsdon
Vice President, Technology

Authorized Representative in the Community:



Julian Clark
Marketing Engineer

Created on 09/01/2022

CE 22