

PRODUCT INFORMATION PACKET

Model No: 324THFPA8038

Catalog No: Y513

Blue Max® Inverter Duty Encoder Motor, 40 HP, 3 Ph, 60 Hz, 230/460 V, 1800 RPM, 324TC Frame,
TEBC-AXIAL



Regal and Marathon are trademarks of Regal Rexnord Corporation or one of its affiliated companies.
©2022 Regal Rexnord Corporation, All Rights Reserved. MC017097E

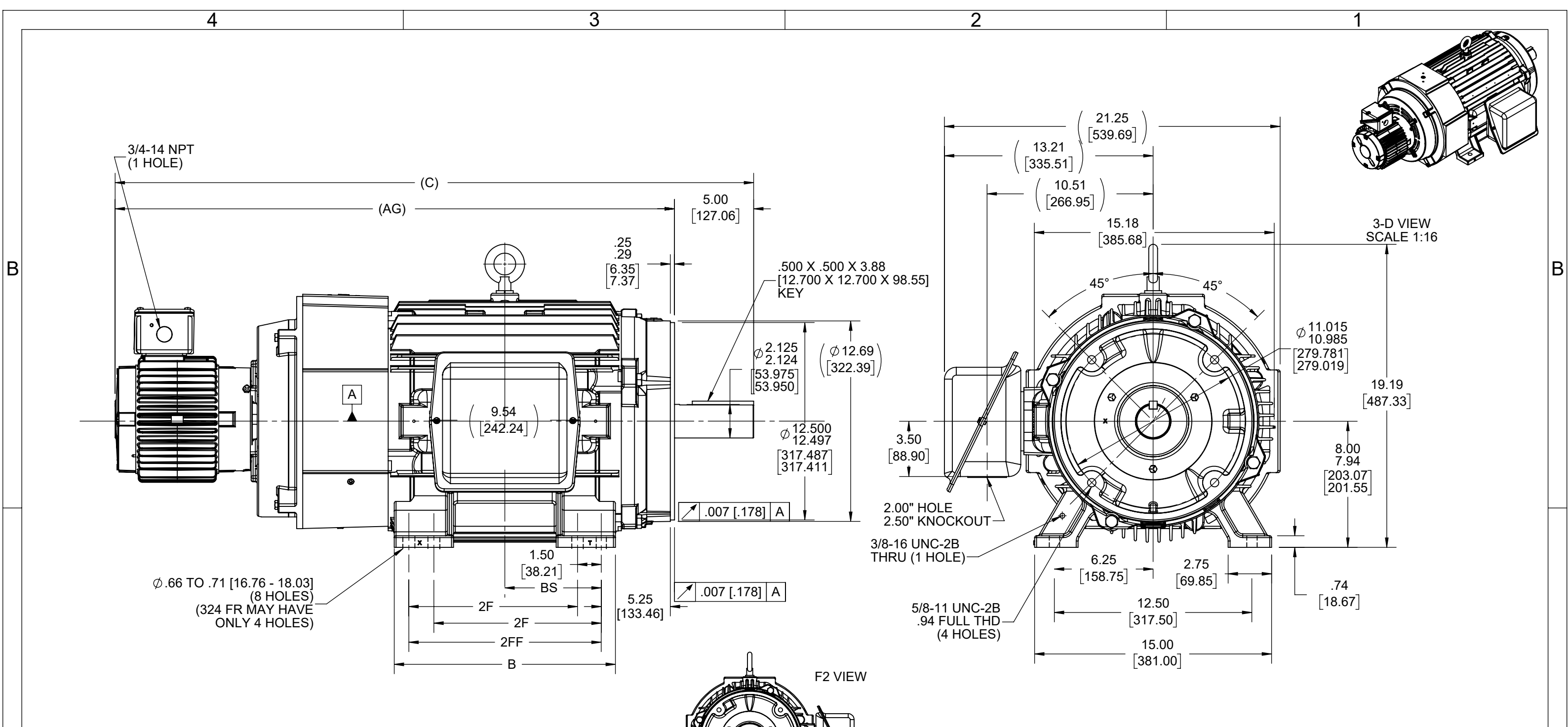


Nameplate Specifications

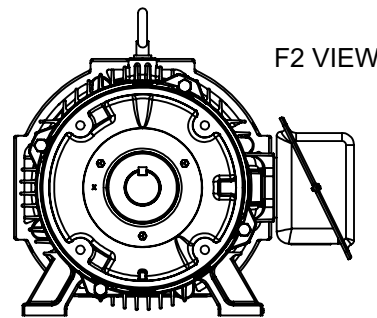
| | | | |
|------------------------|---------------------|----------------------------|---|
| Output HP | 40 Hp | Output KW | 30.0 kW |
| Frequency | 60 Hz | Voltage | 230/460 V |
| Current | 100.0/50.0 A | Speed | 1770 rpm |
| Service Factor | 1 | Phase | 3 |
| Efficiency | 91.7 % | Power Factor | 81.5 |
| Duty | Continuous | Insulation Class | H |
| Design Code | INV | KVA Code | G |
| Frame | 324TC | Enclosure | Totally Enclosed Blower cooled - Axial |
| Thermal Protection | Thermostat | Ambient Temperature | 40 °C |
| Drive End Bearing Size | 6312 | Opp Drive End Bearing Size | 6311 |
| UL | Recognized | CSA | Y |
| CE | Y | IP Code | 43 |
| Number of Speeds | 1 | | |

Technical Specifications

| | | | |
|-----------------------|------------------------------------|-----------------------|----------------------|
| Electrical Type | Squirrel Cage Inverter Duty | Starting Method | Inverter Only |
| Poles | 4 | Rotation | Reversible |
| Resistance Main | .124 Ohms | Mounting | Rigid Base |
| Motor Orientation | Horizontal | Drive End Bearing | Ball |
| Opp Drive End Bearing | Ball | Frame Material | Cast Iron |
| Shaft Type | T | Overall Length | 40.54 in |
| Frame Length | 14.75 in | Shaft Diameter | 2.125 in |
| Shaft Extension | 5 in | Assembly/Box Mounting | F1/F2 CAPABLE |
| Inverter Load | CONSTANT 2000:1 | | |
| Outline Drawing | B-SS311268-1475 | Connection Drawing | A-EE7308T |



- NOTES:
1. CONDUIT BOX CAN BE ROTATED IN 90° STEPS.
 2. CONDUIT BOX CAN BE MOUNTED ON OPPOSITE SIDE BY REMOVING BRACKETS AND TURNING FRAME 180°.
 3. NAMEPLATE TO BE READ FROM CONDUIT BOX SIDE OF MOTOR.



| DASH | FRAME | B | C | 2F | 2FF | BS | AG |
|------|-------|-------------------|--------------------|-------------------|-------------------|------------------|-------------------|
| 1475 | 324T | 14.00 [355.60] | 40.54 [1029.72] | - | 10.50 [266.70] | 5.25 [133.35] | 35.54 [902.72] |
| 1625 | 326T | 14.00 [355.60] | 42.04 [1067.82] | 10.50 [266.70] | 12.00 [304.80] | 6.00 [152.40] | 37.04 [940.82] |

| | | |
|---|--------------------|--------------------|
| DRAWING REVISION E | REVISION BY JVD | DATE 02-16-2021 |
| ECO CR-0001165 | APPROVED BY AK | DATE 02-16-2021 |
| ECO DESCRIPTION UPDATED DRAWING TO CURRENT STD | | |
| <small>COPYRIGHT REGAL BELOIT AMERICA, INC. ALL RIGHTS RESERVED. PROPRIETARY AND CONFIDENTIAL INFORMATION - THIS DOCUMENT IS THE PROPERTY OF REGAL BELOIT AMERICA, INC. ("OWNER") AND CONTAINS OWNER'S PROPRIETARY INFORMATION. ANY PERSON, CORPORATION OR OTHER FIRM RECEIVING IT IS DEEMED, BY RECEIVING IT, TO AGREE THAT IT, AND/OR ANY PART OF IT, SHALL NOT BE DISCLOSED TO ANY PERSON, CORPORATION OR OTHER ENTITY, DUPLICATED, AND/OR USED, EXCEPT AS EXPRESSLY APPROVED IN WRITING IN ADVANCE BY OWNER. THIS DOCUMENT SHALL BE RETURNED TO OWNER UPON REQUEST. IT MAY BE SUBJECT TO CERTAIN RESTRICTIONS UNDER APPLICABLE EXPORT CONTROL LAWS AND REGULATIONS.</small> | | |

| | | | |
|--|---------|-----------|---------|
| TOLERANCES UNLESS OTHERWISE SPECIFIED: | | | |
| DEC. | INCH | mm | ANGLE |
| .X | ±0.1 | [±2.5] | ±7° 30" |
| .XX | ±0.03 | [±0.76] | |
| .XXX | ±0.005 | [±0.127] | |
| .XXXX | ±0.0005 | [±0.0127] | |
| REMOVE BURRS & BREAK SHARP EDGES: .003/.015 [0.076/.381] | | | |
| CORNER FILLETS: .02 [0.51] | | | |
| MACHINED SURFACES: 200 INCH 5.1/mm | | | |
| mm SHOWN IN [BRACKETS] | | | |

| |
|------------------------|
| DRAWN BY MSG |
| DATE 01-10-2002 |
| APPROVED BY TLB |
| DATE 01-14-2002 |
| REFERENCE |
| THIRD ANGLE PROJECTION |

| | |
|--|-----------------------------------|
| REGAL ™ Regal Beloit America, Inc. | |
| DESCRIPTION OUTLINE 320 FR. - BB - STD - 12.50 LAM - C'FACE | |
| MATERIAL | PROCESS/FINISH |
| SIZE B | DRAWING NUMBER SS311268 |
| SHEET 1 OF 1 | |

HIGH VOLTAGE



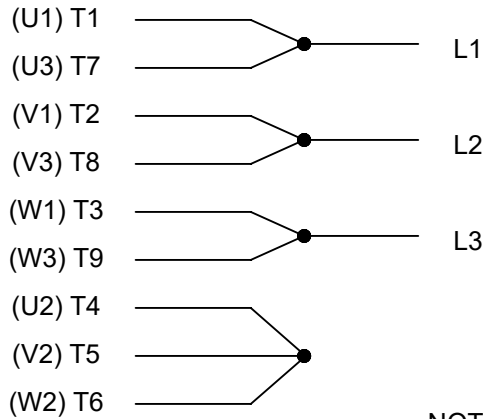
**THREE PHASE
DUAL VOLTAGE MOTOR**

THERMO-PROTECTORS
CONNECTED IN SERIES



NOTE FOR FACTORY USE ONLY:
TO SURGE TEST FOR COMMON CONNECT:
HIGH VOLT: CONNECT P1 TO T1
THEN P2 TO L1
LOW VOLT: CONNECT P1 TO T1 & T7,
THEN P2 TO L1

LOW VOLTAGE



VIEW OF TERMINAL END

NOTE: LEAD'S COLOR CAN BE YELLOW OR WHITE FOR MT2 PLANT

| | | | | | |
|---|-------------------|--------------------|----------------------------|---------------------------|---|
| DRAWING REVISION T | REVISION BY ZR | DATE 01-14-2019 | | DRAWN BY SMC | Regal Beloit America, Inc. |
| ECO ECO-0159915 | APPROVED BY DR | DATE 01-15-2019 | | DATE 05-13-1992 | |
| ECO DESCRIPTION ADDED TERMINAL CONNECTION DIAGRAM | | | | APPROVED BY TB | DESCRIPTION CONN DIAGRAM-INTERNAL 3 PHASE - DUAL VOLTAGE MOTOR |
| <small>COPYRIGHT REGAL BELOIT AMERICA, INC. ALL RIGHTS RESERVED. PROPRIETARY AND CONFIDENTIAL INFORMATION - THIS DOCUMENT IS THE PROPERTY OF REGAL BELOIT AMERICA, INC. ("OWNER") AND CONTAINS OWNER'S PROPRIETARY INFORMATION. ANY PERSON, CORPORATION OR OTHER FIRM RECEIVING IT IS DEEMED, BY RECEIVING IT, TO AGREE THAT IT, AND/OR ANY PART OF IT, SHALL NOT BE DISCLOSED TO ANY PERSON, CORPORATION OR OTHER ENTITY, DUPLICATED, AND/OR USED, EXCEPT AS EXPRESSLY APPROVED IN WRITING IN ADVANCE BY OWNER. THIS DOCUMENT SHALL BE RETURNED TO OWNER UPON REQUEST. IT MAY BE SUBJECT TO CERTAIN RESTRICTIONS UNDER APPLICABLE EXPORT CONTROL LAWS AND REGULATIONS.</small> | | | DATE 05-13-1992 | MATERIAL | PROCESS/FINISH |
| | | | REFERENCE EE7308/EE7300 | THIRD ANGLE PROJECTION | SIZE A |

CERTIFICATION DATA SHEET

Model#: 324THFPA8038 AC WINDING#: K2864202 F 3
 CONN. DIAGRAM: A-EE7308T ASSEMBLY: F1/F2 CAPABLE
 OUTLINE: B-SS311268-1475

TYPICAL MOTOR PERFORMANCE DATA

| HP | KW | SYNC. RPM | F.L. RPM | FRAME | ENCLOSURE | KVA CODE | DESIGN | | | |
|------------------------|-------------|--------------------|-----------|--------------------|--------------|-------------------|--------|------------------|-----------|--------------|
| 40 | 30 | 1800 | 1770 | 324TC | TEBC-AXIAL | G | INV | | | |
| PH | Hz | VOLTS | FL AMPS | START TYPE | DUTY | INSL | S.F | AMB°C | ELEVATION | |
| 3 | 60 | 230/460 | 100/50 | INVERTER ONLY | CONTINUOUS | H4 | 1.0 | 40 | 3300 | |
| FULL LOAD EFF: 91.7 | | 3/4 LOAD EFF: 91.7 | | 1/2 LOAD EFF: 90.2 | | GTD. EFF | | ELEC. TYPE | | NO LOAD AMPS |
| FULL LOAD PF: 81.5 | | 3/4 LOAD PF: 77 | | 1/2 LOAD PF: 68 | | 90.2 | | SQ CAGE INV DUTY | | 40 / 20 |
| F.L. TORQUE | | LOCKED ROTOR AMPS | | L.R. TORQUE | | B.D. TORQUE | | F.L. RISE°C | | |
| 119 LB-FT | | 600 / 300 | | 235 LB-FT 197 | | 320 LB-FT 269 | | 70 | | |
| SOUND PRESSURE @ 3 FT. | SOUND POWER | ROTOR WK^2 | MAX. WK^2 | SAFE STALL TIME | STARTS /HOUR | APPROX. MOTOR WGT | | | | |
| 75 dBA | 85 dBA | 4.7 LB-FT^2 | - LB-FT^2 | - SEC. | - | 608 LBS. | | | | |

EQUIVALENT WYE CKT.PARAMETERS (OHMS PER PHASE)

| R1 | R2 | X1 | X2 | XM |
|----------|----------|----------|----------|---------|
| 0.081535 | 0.077281 | 0.434617 | 0.592015 | 10.2805 |
| RM | ZREF | XR | TD | TD0 |
| 549.475 | 7.09 | 6.5 | 0.022 | 0.373 |

*** SUPPLEMENTAL INFORMATION ***

| DE BRACKET TYPE | ODE BRACKET TYPE | MOUNT TYPE | ORIENTATION | SEVERE DUTY | HAZARDOUS LOCATION | DRIP COVER | SCREENS | PAINT |
|-----------------|------------------|------------|-------------|-------------|--------------------|------------|---------|---------------|
| C-FACE | ENCODER | RIGID | HORIZONTAL | FALSE | NONE | FALSE | NONE | BLUE (ENAMEL) |

| BEARINGS | | GREASE | SHAFT TYPE | SPECIAL DE | SPECIAL ODE | SHAFT MATERIAL | FRAME MATERIAL |
|----------|------|------------|------------|------------|-------------|-------------------------|----------------|
| DE | OPE | | | | | | |
| BALL | BALL | POLYREX EM | T | NONE | NONE | 1045 HOT ROLLED (C-204) | CAST IRON |
| 6312 | 6311 | | | | | | |

| THERMO-PROTECTORS | | | | THERMISTORS | CONTROL | SPACE /n HEATERS |
|-------------------|------------|----------|----------|-------------|---------|------------------|
| THERMOSTATS | PROTECTORS | WDG RTDs | BRG RTDs | | | |
| TSTATS (N/C) | NOT | NONE | NONE | NONE | FALSE | NONE VOLTS |

If Inverter equals NONE, contact factory for further information

| |
|---------------------------------------|
| INVERTER TORQUE: CONSTANT 2000:1 |
| INV. HP SPEED RANGE: 1.5 X BASE SPEED |
| ENCODER: PROVISIONS ONLY |
| NONE NONE |
| NONE NONE PPR |
| BRAKE: NONE NONE |
| NONE P/N NONE |

*
N
O
T
E
S
*

| | | | |
|------------|--------|---------|--|
| NONE | NONE | | |
| NONE FT-LB | NONE V | NONE Hz | |

DATE: 06/21/2017 03:23:02 AM
FORM 3531 REV.3 02/07/99
** Subject to change without notice.

Data Sheet

Date: 29-06-2017
 Customer: _____
 Attention: _____
 Submitted by: FAREEDA DUDEKULA



324THFA8038

Submittal

Data @ 460 V

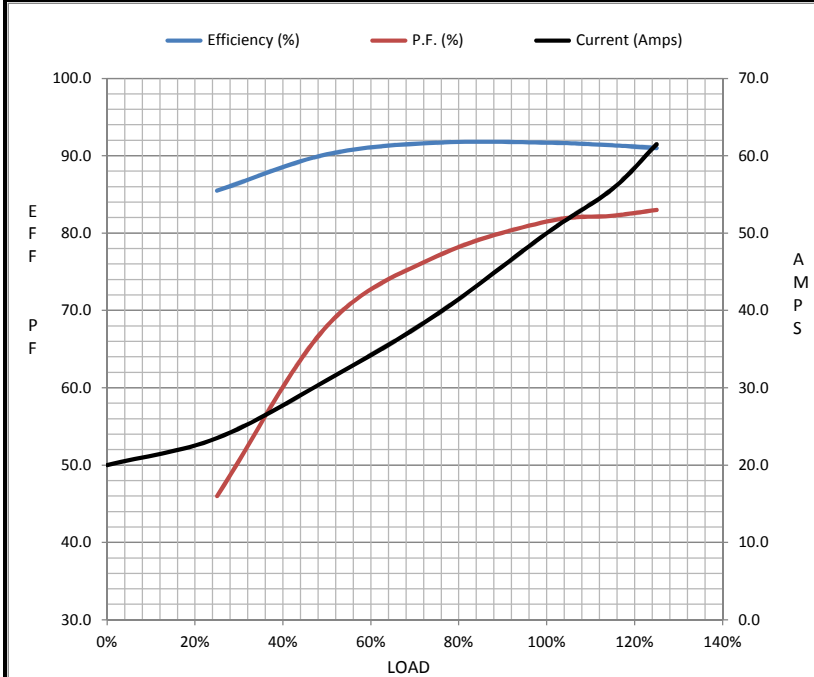
Motor Load Data

| Load | 0% | 25% | 50% | 75% | 100% | 115% | 125% | LR |
|----------------|------|------|------|------|------|-------|------|------|
| Current (Amps) | 20.0 | 23.5 | 31.0 | 39.5 | 50.0 | 55.8 | 61.5 | 300 |
| Torque (ft-lb) | 0.00 | 29.5 | 59.0 | 88.5 | 119 | 134 | 148 | 235 |
| RPM | 1800 | 1794 | 1786 | 1778 | 1770 | 1,765 | 1758 | 0 |
| Efficiency (%) | | 85.5 | 90.2 | 91.7 | 91.7 | 91.4 | 91.0 | |
| P.F. (%) | 7.5 | 46.0 | 68.0 | 77.0 | 81.5 | 82.3 | 83.0 | 36.0 |

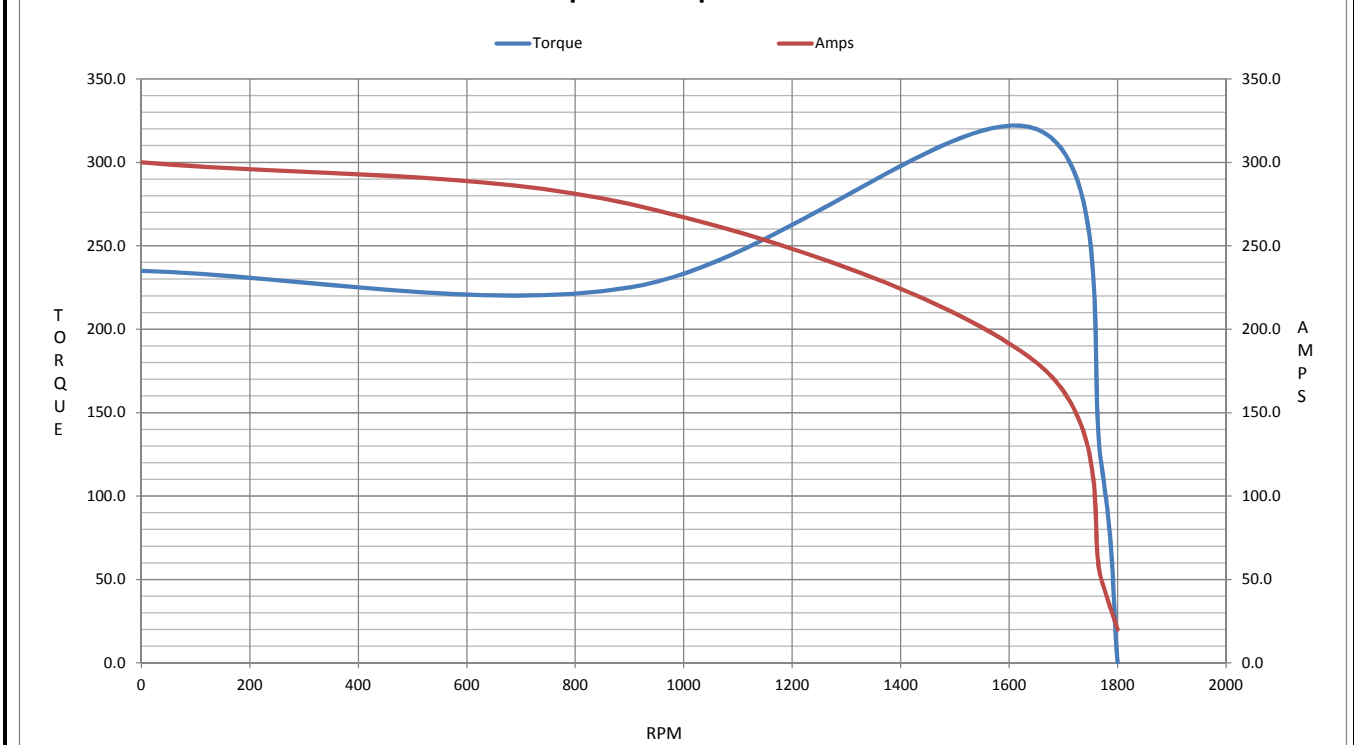
Motor Speed Data

| | LR | Pull-Up | BD | Rated | Idle |
|----------------|-----|---------|------|-------|------|
| Speed (RPM) | 0 | 900 | 1650 | 1770 | 1800 |
| Current (Amps) | 300 | 275 | 180 | 50.0 | 20.0 |
| Torque (ft-lb) | 235 | 225 | 320 | 119 | 0.00 |

| Information Block | | | | |
|-----------------------------|------------------------|--------|--------|---------|
| HP | 40.0 | | | |
| Sync. RPM | 1800 | | | |
| Frame | 324 | | | |
| Enclosure | TEBC | | | |
| Construction | TBP | | | |
| Voltage | 230/460 V | | | |
| Frequency | 60 Hz | | | |
| Design | B | | | |
| LR Code letter | G | | | |
| Service Factor | 1.15 | | | |
| Temp Rise @ FL | 70 ° C | | | |
| Duty | CONT | | | |
| Ambient | 40 ° C | | | |
| Elevation | 1,000 feet | | | |
| Rotor/Shaft wk ² | 4.7 Lb-Ft ² | | | |
| Ref Wdg | K2864202 F | | | |
| Sound Pressure @ 1M | 75 dBA | | | |
| VFD Rating | CONSTANT 2000:1 | | | |
| Outline Dwg | B-SS311268-1475 | | | |
| Conn. Diag | A-EE7308T | | | |
| Additional Specifications: | | | | |
| 0 | | | | |
| 365THFS8036 | | | | |
| EQUIV CKT (OHMS / PHASE) | | | | |
| R1 | R2 | X1 | X2 | Xm |
| 0.0820 | 0.0770 | 0.4350 | 0.5920 | 10.2810 |



Speed - Torque Curve



EC Declaration of Conformity

The undersigned representing
the manufacturer:

Regal Beloit America
100 East Randolph St.
Wausau, WI 54401

and the authorized representative
established within the Community:

Marathon Electric UK
6F Thistleton Road Ind. Estate
Market Overton
Oakham, Rutland LE15 7PP UK

are committed to providing customers with products that comply with applicable regulations and international protocols to which they are subject, including the requirements of the European Parliament Directive on the Harmonization of the laws relating to electrical equipment designed for use within certain voltage limits (2014/35/EU).

Regal Beloit America declares that the following product(s), to which this declaration relates, are in conformity with the relevant sections of the EC standards listed below.

This statement supersedes any statements previously issued pertaining to the product(s) listed below and is subject to change without notice.

Model No : 324THFPA8038

(Model No. may contain prefix and/or suffix characters)

Catalog No : Y513

Rework No : N/A

Directives :

Low Voltage Directive 2014/35/EU

Harmonized Standards Used :

EN 60034-1: 2010 (IEC 60034-1: 2010)

EN 60034-5: 2001/A1:2007 (IEC 60034-5: 2000/A1:2006)

Authorized Representative:



Michael A. Logsdon
Vice President, Technology

Authorized Representative in the Community:



Julian Clark
Marketing Engineer

Created on 09/01/2022

CE 22