

PRODUCT INFORMATION PACKET

marathon[®]
Motors

Model No: 324THFPA18054
Catalog No: 324THFPA18054
40,1800,TEFC,324,3/60/575
Miscellaneous

Regal and Marathon are trademarks of Regal Rexnord Corporation or one of its affiliated companies.
©2021 Regal Rexnord Corporation, All Rights Reserved. MC017097E

RegalRexnord

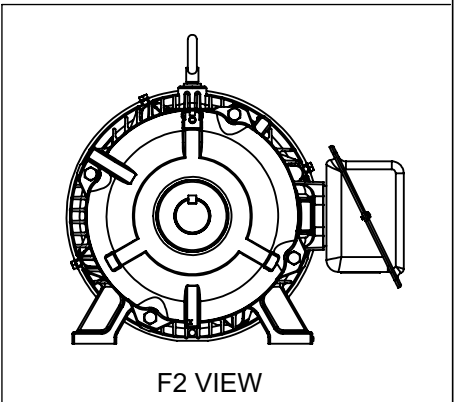
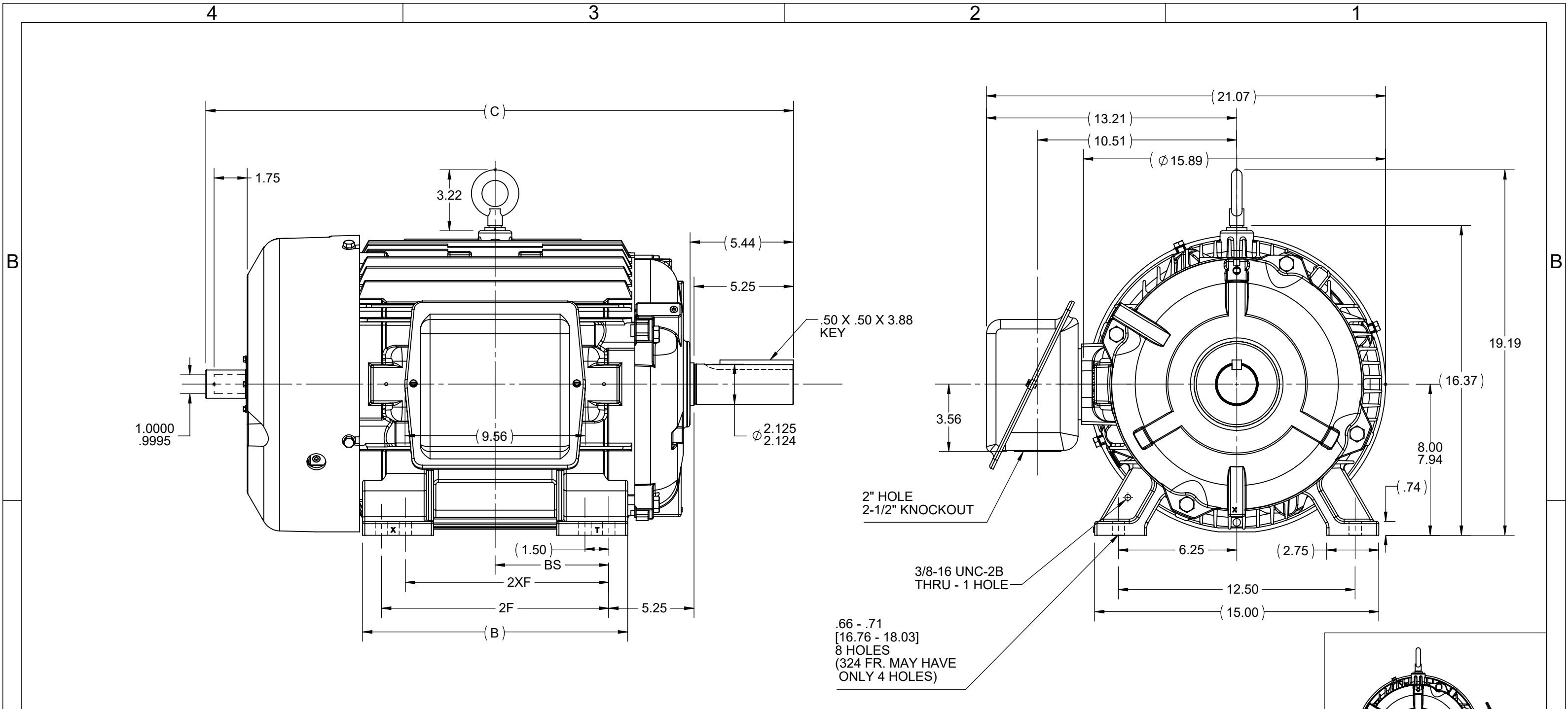
Nameplate Specifications

Output HP	40 Hp	Output KW	30.0 kW
Frequency	60 Hz	Voltage	575 V
Current	40.0 A	Speed	1770 rpm
Service Factor	1	Phase	3
Efficiency	91.7 %	Power Factor	81.5
Duty	Continuous	Insulation Class	H
Design Code	INV	KVA Code	G
Frame	324T	Enclosure	Totally Enclosed Fan Cooled
Thermal Protection	Thermostats (N/C)	Ambient Temperature	40 °C
Drive End Bearing Size	312	Opp Drive End Bearing Size	311
UL	Recognized	CSA	Y
CE	Y	IP Code	43
Number of Speeds	1		

Technical Specifications

Electrical Type	Squirrel Cage Inverter Duty	Starting Method	Inverter Only
Poles	4	Rotation	Reversible
Resistance Main	.124 Ohms	Mounting	Rigid Base
Motor Orientation	Horizontal	Drive End Bearing	Ball
Opp Drive End Bearing	Ball	Frame Material	Cast Iron
Shaft Type	T	Assembly/Box Mounting	F1/F2 CAPABLE
Outline Drawing	B-SS311259-1475	Connection Drawing	A-EE7300T

This is an uncontrolled document once printed or downloaded and is subject to change without notice. Date Created:10/26/2021



- NOTES:
1. CONDUIT BOX CAN BE ROTATED IN 90 STEPS.
 2. NAMEPLATE TO BE READ FROM CONDUIT BOX SIDE OF MOTOR.
 3. CONDUIT BOX CAN BE MOUNTED ON OPPOSITE SIDE BY REMOVING BRACKETS AND TURNING FRAME 180.

DASH	FRAME	C	B	2F	2XF	BS
1475	324T	31.03	14.00	10.50	---	5.25
1625	326T	32.53	14.00	12.00	10.5	6.00

DRAWING REVISION 4	REVISION BY BG	REV DATE/© DATE 6/30/2021
ECO CR-0003325	APPROVED BY VJR	DATE 6/30/2021
ECO DESCRIPTION DXF TEMPLATE RELEASE IN IDS		
<small>COPYRIGHT (PER REVISION DATE) REGAL BELOIT AMERICA, INC. ALL RIGHTS RESERVED. PROPRIETARY AND CONFIDENTIAL INFORMATION - THIS DOCUMENT IS THE PROPERTY OF REGAL BELOIT AMERICA, INC. ("OWNER") AND CONTAINS OWNER'S PROPRIETARY INFORMATION. ANY PERSON, CORPORATION OR OTHER FIRM RECEIVING IT IS DEEMED, BY RECEIVING IT, TO AGREE THAT IT, AND/OR ANY PART OF IT, SHALL NOT BE DISCLOSED TO ANY PERSON, CORPORATION OR OTHER ENTITY, DUPLICATED, AND/OR USED, EXCEPT AS EXPRESSLY APPROVED IN WRITING IN ADVANCE BY OWNER. THIS DOCUMENT SHALL BE RETURNED TO OWNER UPON REQUEST. IT MAY BE SUBJECT TO CERTAIN RESTRICTIONS UNDER APPLICABLE EXPORT CONTROL LAWS AND REGULATIONS.</small>		

TOLERANCES (EXCEPT AS NOTED):

DEC.	INCH	mm	ANGLE
.X	±0.1	[±3]	±7' 30"
.XX	±0.02	[±0.5]	
.XXX	±0.005	[±0.13]	
.XXXX	±0.0005	[±0.013]	

REMOVE BURRS & BREAK SHARP EDGES: .003/.015 [.08/.38] X 45°
CORNER FILLETS: R.02 [.5]
MACHINED SURFACES: 200/5.1 INCH/mm

mm DIMENSIONS IN [BRACKETS] ARE FOR REFERENCE ONLY

DRAWN BY
MSG

DATE
11/27/2001

APPROVED BY
DD

DATE
11/28/2001

REFERENCE

THIRD ANGLE PROJECTION

REGAL Regal Beloit America, Inc.

DESCRIPTION
OUTLINE
320 FR. - BB - STD - 12.50 LAM

MATERIAL

PROCESS/FINISH

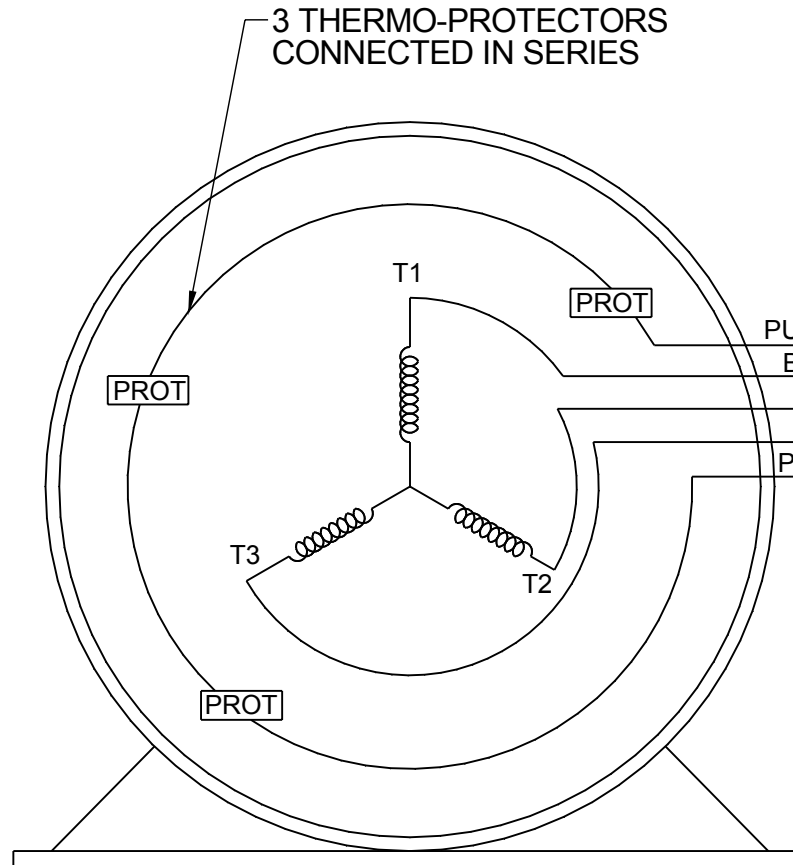
SIZE **B** DRAWING NUMBER **SS311259** SHEET 1 OF 1

**THREE PHASE - SINGLE VOLTAGE
MOTOR - CONDUIT BOX @ 'A'**

**TO REVERSE ROTATION:
INTERCHANGE ANY TWO LINE
LEAD CONNECTIONS**

**NOTE FOR FACTORY USE ONLY:
TO SURGE TEST:
FOR 3 LEAD COMMON CONNECT:
CONNECT P1 TO T1 THEN P2 TO L1
FOR 6 LEAD COMMON CONNECT:
CONNECT P1 TO BOTH T1
THEN P2 TO L1**

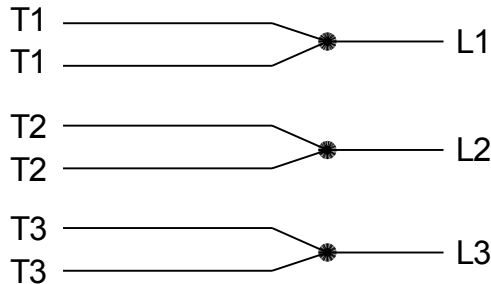
TERMINAL BLOCK WHEN SPECIFIED



- PURPLE P1 (TB1)
- BLACK T1 (U1)
- RED T2 (V1)
- BLUE T3 (W1)
- PURPLE P2 (TB2)

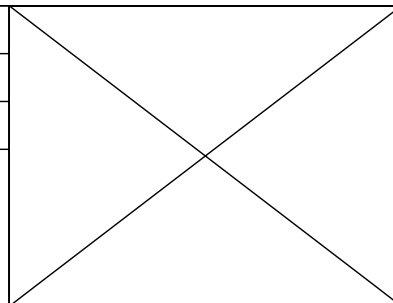
- T2BM
- T6AW
- T6AL
- T6Z
- T4EG
- T4BF
- T8A
- T6H
- T6A
- T4AX
- T4A
- T2A
- T2F

**IF MOTOR HAS MULTIPLE
T'S PER LEAD CONNECT
TOGETHER LIKE T'S**



A-9806 DECAL

DRAWING REVISION AB	REVISION BY AJW	DATE 07-17-2015
ECO ECO-0081632	APPROVED BY T.VUE	DATE 07-17-2015
ECO DESCRIPTION REV'D IEC MARKINGS PER IEC-60034-8		
<small>COPYRIGHT REGAL BELOIT AMERICA, INC. ALL RIGHTS RESERVED. PROPRIETARY AND CONFIDENTIAL INFORMATION - THIS DOCUMENT IS THE PROPERTY OF REGAL BELOIT AMERICA, INC. ("OWNER") AND CONTAINS OWNER'S PROPRIETARY INFORMATION. ANY PERSON, CORPORATION OR OTHER FIRM RECEIVING IT IS DEEMED, BY RECEIVING IT, TO AGREE THAT IT, AND/OR ANY PART OF IT, SHALL NOT BE DISCLOSED TO ANY PERSON, CORPORATION OR OTHER ENTITY, DUPLICATED, AND/OR USED, EXCEPT AS EXPRESSLY APPROVED IN WRITING IN ADVANCE BY OWNER. THIS DOCUMENT SHALL BE RETURNED TO OWNER UPON REQUEST. IT MAY BE SUBJECT TO CERTAIN RESTRICTIONS UNDER APPLICABLE EXPORT CONTROL LAWS AND REGULATIONS.</small>		



DRAWN BY LZ
DATE 01-04-1994
APPROVED BY GK
DATE 01-20-1994
REFERENCE
THIRD ANGLE PROJECTION

REGAL ™ Regal Beloit America, Inc.	
DESCRIPTION CONN DIAGRAM-EXTERNAL 3Ø-SINGLE VOLT-MOTOR WITH PROTECTOR	
MATERIAL	PROCESS/FINISH
SIZE A	DRAWING NUMBER EE7300T
SHEET 1 OF 1	