

PRODUCT INFORMATION PACKET

marathon®
Motors

Model No: 286TTTCD16541

Catalog No: U1874A

XRI®-SD Cooling Tower Motor, 30 & 25 HP, 3 Ph, 60 & 50 Hz, 230/460 & 190/380 V, 1800 & 1500 RPM,
286TV Frame, TEAO



Regal and Marathon are trademarks of Regal Rexnord Corporation or one of its affiliated companies.

©2023 Regal Rexnord Corporation, All Rights Reserved. MC017097E

RegalRexnord



Nameplate Specifications

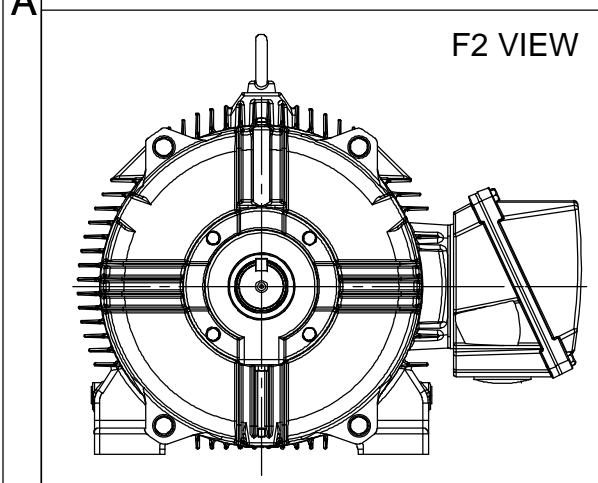
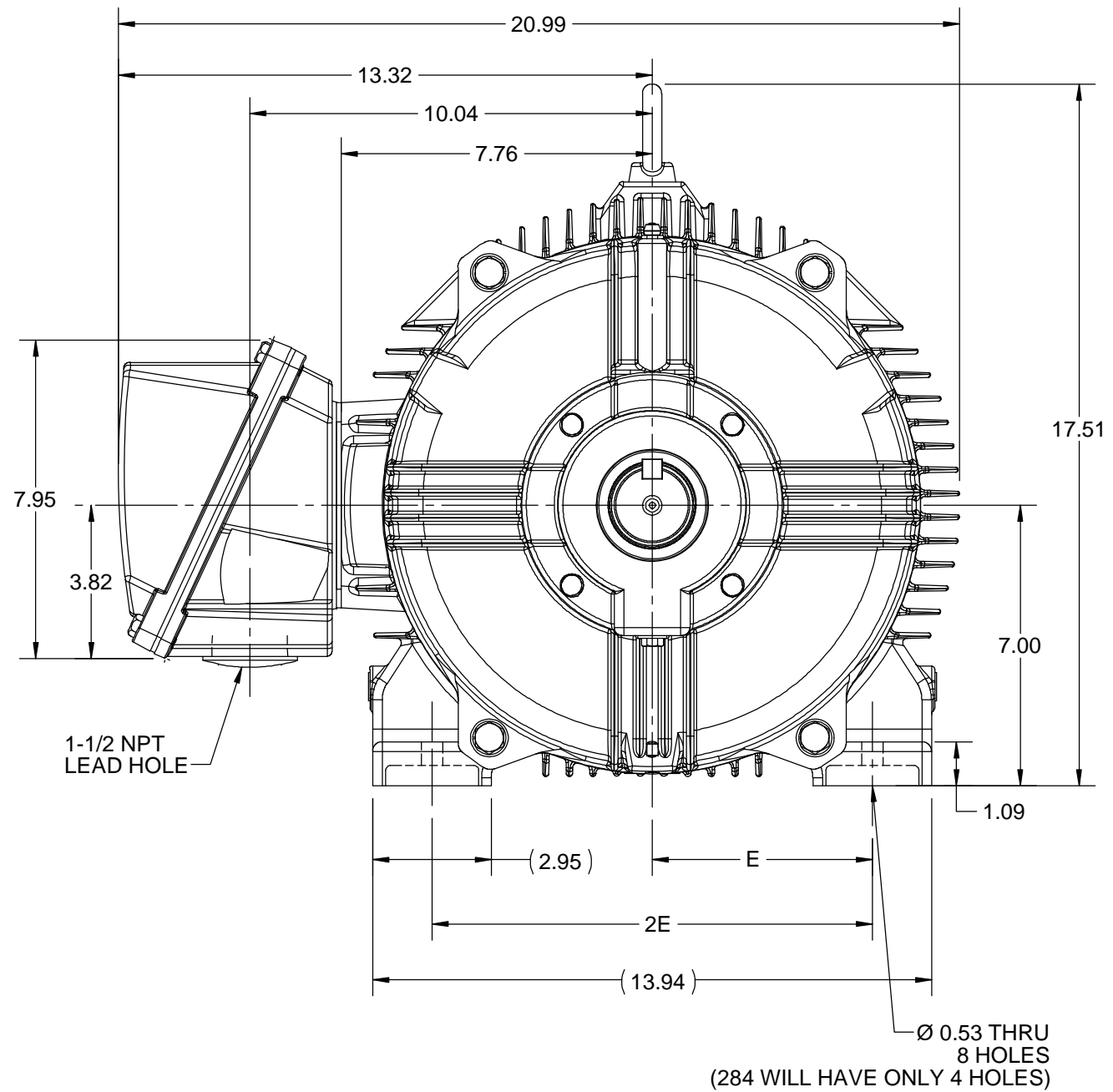
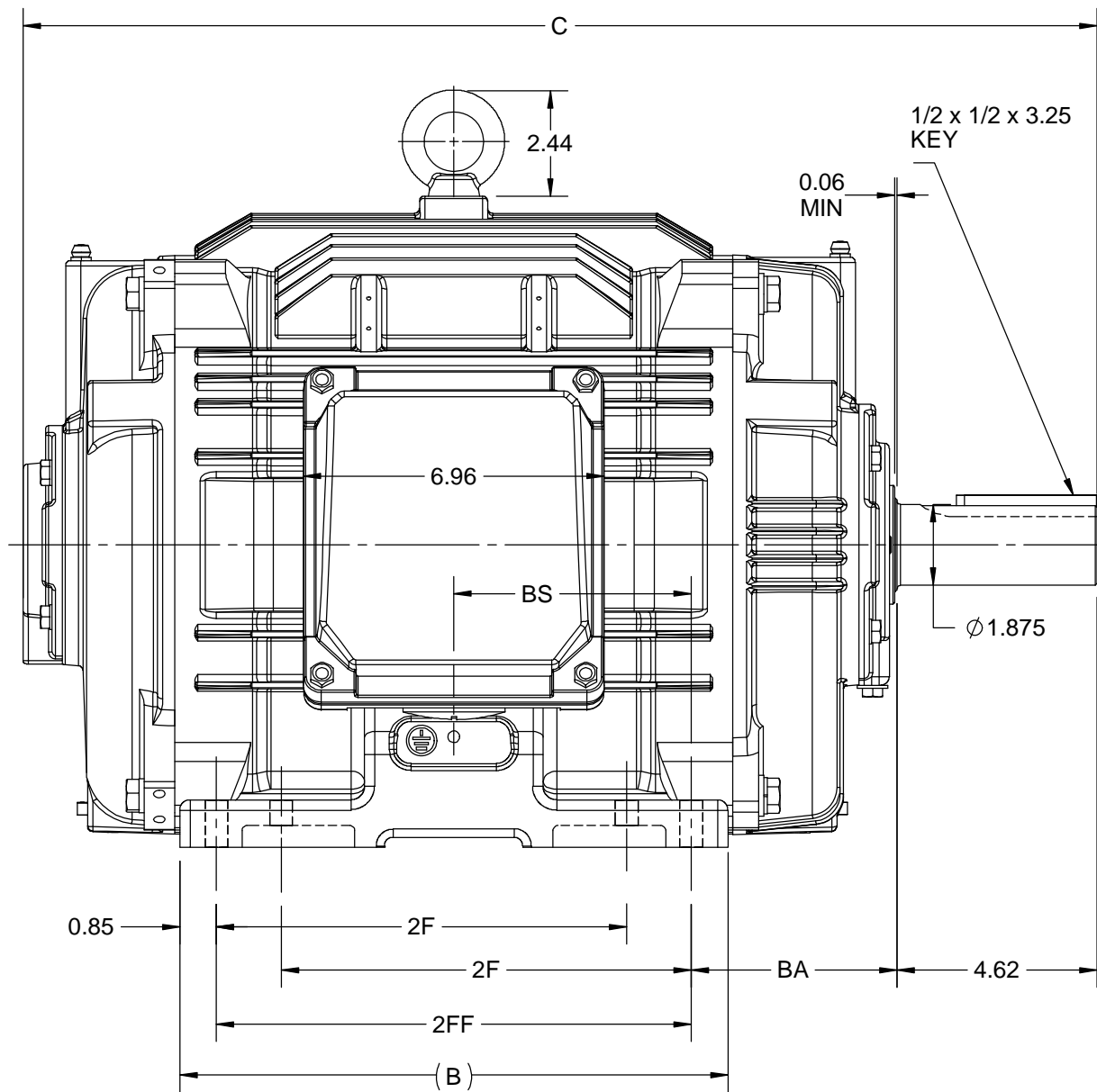
| | | | |
|------------------------|---------------------|----------------------------|---------------------------|
| Phase | 3 | Output HP | 30 & 25 Hp |
| Output KW | 22.4 & 18.7 kW | Voltage | 230/460 & 190/380 V |
| Speed | 1770 & 1470 rpm | Service Factor | 1.15 & 1.15 |
| Frame | 286TV | Enclosure | Totally Enclosed Air Over |
| Thermal Protection | No Protection | Efficiency | 93.6 & 92.7 % |
| Ambient Temperature | 40 °C | Frequency | 60 & 50 Hz |
| Current | 71/35.5 & 71/35.5 A | Power Factor | 84 |
| Duty | Continuous | Insulation Class | H |
| Design Code | B | KVA Code | G |
| Drive End Bearing Size | 6311 | Opp Drive End Bearing Size | 6211 |
| UL | Recognized | CSA | Y |
| CE | Y | IP Code | 56 |
| Number of Speeds | 1 | | |

Technical Specifications

| | | | |
|-----------------------|------------------------------|--------------------|-----------------------------|
| Electrical Type | Squirrel Cage Inverter Rated | Starting Method | Line Or Inverter |
| Poles | 4 | Rotation | Reversible |
| Resistance Main | .27 Ohms | Mounting | Rigid Base |
| Motor Orientation | Horizontal Or Up Or Down | Drive End Bearing | Ball |
| Opp Drive End Bearing | Ball | Frame Material | Cast Iron |
| Shaft Type | T | Shaft Diameter | 1.875 in |
| Assembly/Box Mounting | F1/F2 CAPABLE | Inverter Load | CONSTANT 10:1/VARIABLE 10:1 |
| Outline Drawing | SS620956-200 | Connection Drawing | EE7308 |

This is an uncontrolled document once printed or downloaded and is subject to change without notice. Date Created:06/22/2023

| DASH NO. | 4 | | | | 3 | | | | MOUNTING | FRAME |
|----------|-------|-------|------|-------|------|-------|------|------|----------|----------|
| | B | C | E | 2E | 2F | 2FF | BA | BS | | |
| 100 | 10.83 | 23.34 | 5.50 | 11.00 | --- | 9.50 | 4.75 | 4.75 | F1 OR F2 | 284T |
| 200 | 12.68 | 24.84 | | | 9.50 | 11.00 | | 5.50 | | 284/286T |



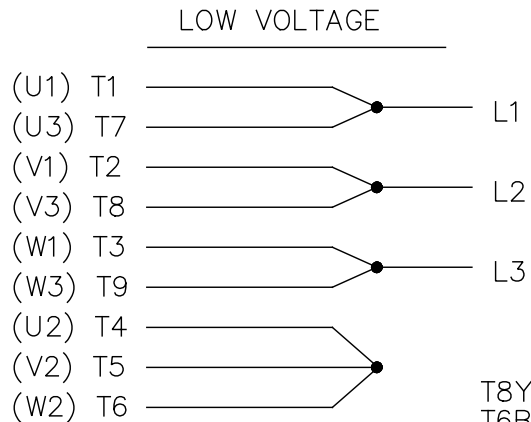
| | | |
|-----------------------------------------------------------------------------------------------------------------------------------------------------------------------------------------------------------------------------------------------------------------------------------------------------------------------------------------------------------------------------------------------------------------------------------------------------------------------------------------------------------------------------------------------------------------------------------------------------------------------------------------------------------------------------------------------------|--------------------|-------------------------------|
| DRAWING REVISION B | REVISION BY VS | REV DATE/© DATE 26-10-2020 |
| ECO ECO-0194527 | APPROVED BY GNK | DATE 26-10-2020 |
| ECO DESCRIPTION DRAWING UPDATED | | |
| <small>COPYRIGHT (PER REVISION DATE) REGAL BELOIT AMERICA, INC. ALL RIGHTS RESERVED. PROPRIETARY AND CONFIDENTIAL INFORMATION - THIS DOCUMENT IS THE PROPERTY OF REGAL BELOIT AMERICA, INC. ("OWNER") AND CONTAINS OWNER'S PROPRIETARY INFORMATION. ANY PERSON, CORPORATION OR OTHER FIRM RECEIVING IT IS DEEMED, BY RECEIVING IT, TO AGREE THAT IT, AND/OR ANY PART OF IT, SHALL NOT BE DISCLOSED TO ANY PERSON, CORPORATION OR OTHER ENTITY, DUPLICATED, AND/OR USED, EXCEPT AS EXPRESSLY APPROVED IN WRITING IN ADVANCE BY OWNER. THIS DOCUMENT SHALL BE RETURNED TO OWNER UPON REQUEST. IT MAY BE SUBJECT TO CERTAIN RESTRICTIONS UNDER APPLICABLE EXPORT CONTROL LAWS AND REGULATIONS.</small> | | |

PRIMARY DIMENSIONS ARE INCH
mm DIMENSIONS IN [BRACKETS]
ARE FOR REFERENCE ONLY

| | |
|------------------------|-------------------------------------------------------------|
| DRAWN BY SAI | REGAL ® Regal Beloit America, Inc. |
| DATE 24/01/2020 | |
| APPROVED BY SBD | DESCRIPTION OUTLINE 284/286T FR-NEMA-TEAO/TENV |
| DATE 24/01/2020 | MATERIAL |
| REFERENCE | PROCESS/FINISH |
| THIRD ANGLE PROJECTION | SIZE B |
| | DRAWING NUMBER SS620956 |
| | SHEET 1 OF 1 |

EE7308

THREE PHASE
DUAL VOLTAGE MOTOR



VIEW OF TERMINAL END

REF.
WINDING DIAGRAM

T8Y, T2Y, T2BL, T4BX, T2EC, T2G
T6BZ, T2B, T6BL, T4AV, T6B, T4B

OPTIONAL CORD
CONNECTION

L1 — WHITE
L2 — RED
L3 — BLACK

| NO. | REVISION | BY & DATE | CHK | ANG | TOLERANCES UNLESS SPECIFIED | | FINISH | DRAWN RM 11/20/1990 | | | | |
|----------------------------------------------------------------------------------------------------------------------------------------------------------------------------------------------------------------------------------|------------------------------------------------|----------------|-----|-------|--------------------------------|--------|-----------------------------------------------------|---------------------|--------|--------------------|-----------|--------|
| | | | | | DEC. | INCHES | | | | | | |
| 5 | CHG TO REGAL LOGO | SL 09/10/2015 | AB | | | | | CHK ML 11/21/1990 | | | | |
| 4 | REVISED IEC NOTATIONS | MSG 11/15/2011 | CMN | .X | ±.1 | | | APPD SAS 04/24/2003 | | | | |
| 3 | ADDED IEC NOTATIONS... (U1), (V1) ETC. MU95194 | MSG 5/10/2010 | MJS | .XX | ±.02 | | | SCALE 1=1 | | | | |
| 2 | ADDED THE OPTIONAL CORD CONNECTION MU46318 | RDH 04/24/2003 | DRS | .XXX | ±.005 | | TITLE CONNECTION DIAGRAM 3Ø - DUAL VOLTAGE MOTOR | REF | | | | |
| 1 | REDRAWN | RM 11/20/1990 | | .XXXX | ±.0005 | | MAT'L. | FMF | | | | |
| | | | | | ±7'30" | | | PREV | | | | |
| THIS DRAWING IN DESIGN AND DETAIL IS OUR PROPERTY AND MUST NOT BE USED EXCEPT IN CONNECTION WITH OUR WORK ALL RIGHTS OF DESIGN AND INVENTION ARE RESERVED THIS IS AN ELECTRONICALLY GENERATED DOCUMENT - DO NOT SCALE THIS PRINT | | | | | | | RFP | CAD FILE ee7308 | SIZE A | DRAWING NO. EE7308 | PAGE OF 5 | REV. 5 |
| | | | | | | | DIST WP | | | | | |



Regal Beloit America, Inc.