

PRODUCT INFORMATION PACKET

marathon[®]
Motors

Model No: 286TTGCD36526
Catalog No: 286TTGCD36526
30,1800,EPFC,286TDV,3/60/230/460

Regal and Marathon are trademarks of Regal Rexnord Corporation or one of its affiliated companies.
©2023 Regal Rexnord Corporation, All Rights Reserved. MC017097E

RegalRexnord



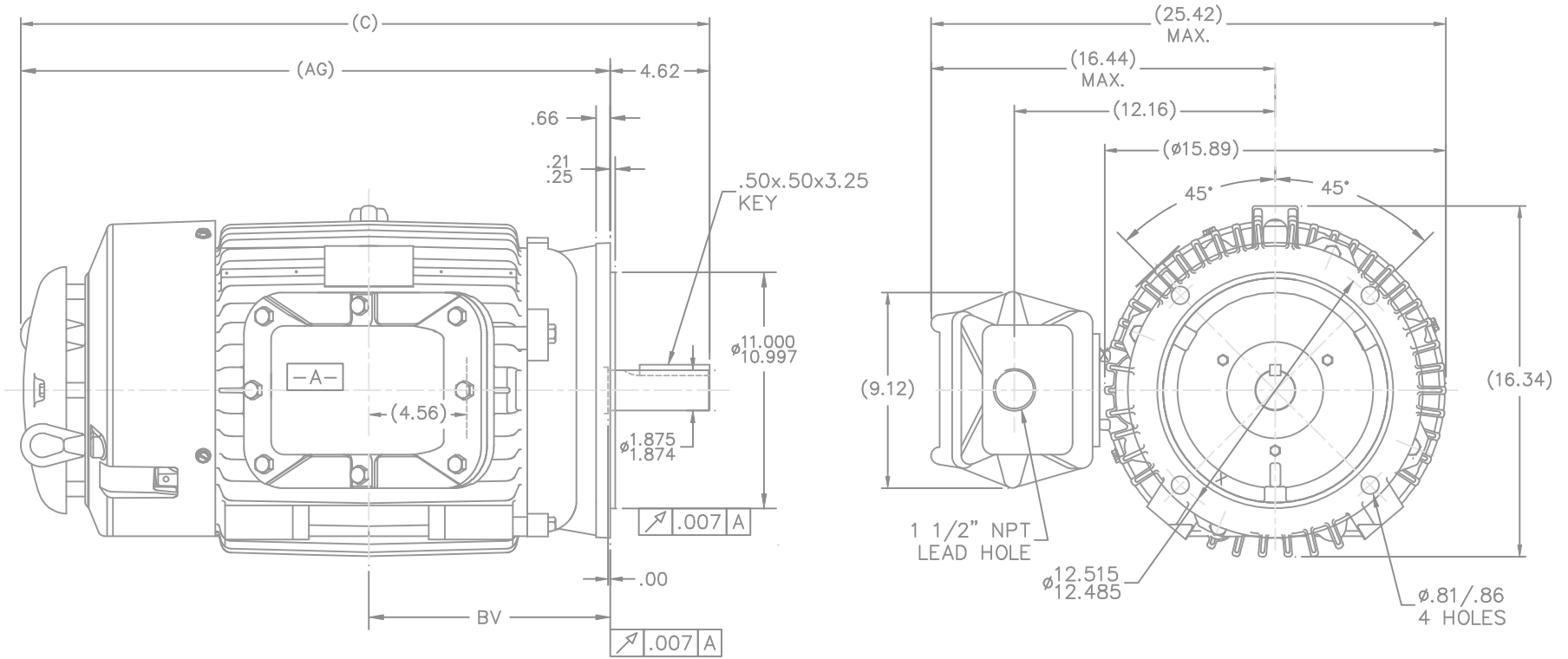
Nameplate Specifications

Phase	3	Output HP	30 Hp
Output KW	22.4 kW	Voltage	230/460 V
Speed	1770 rpm	Service Factor	1.15
Frame	286TDV	Enclosure	Explosion Proof Fan cooled
Thermal Protection	Thermostat	Efficiency	93.6 %
Ambient Temperature	40 °C	Frequency	60 Hz
Current	71.0/35.5 A	Power Factor	84
Duty	Continuous	Insulation Class	F
Design Code	B	KVA Code	G
Drive End Bearing Size	6311	Opp Drive End Bearing Size	6210
UL	UL Listed And CSA Certified	CSA	Y
CE	N	IP Code	54
Number of Speeds	1	Hazardous Location	EXP PROOF CL I GR C&D CL II GR F&G T3B

Technical Specifications

Electrical Type	Squirrel Cage Inverter Rated	Starting Method	Line Or Inverter
Poles	4	Rotation	Reversible
Resistance Main	.27 Ohms	Mounting	Round
Motor Orientation	Shaft Down	Drive End Bearing	Ball
Opp Drive End Bearing	Ball	Frame Material	Cast Iron
Shaft Type	T	Shaft Diameter	1.875 in
Assembly/Box Mounting	F1 ONLY	Inverter Load	CONSTANT 10:1
Outline Drawing	B-SS311348-1425	Connection Drawing	EE7308T

This is an uncontrolled document once printed or downloaded and is subject to change without notice. Date Created:04/24/2023



NOTES:
 1- BOX CAN ONLY BE ROTATED CLOCKWISE UP TO 270° FROM ITS ORIGINAL POSITION.
 2- NAMEPLATE TO BE READ FROM C'BOX SIDE OF MOTOR.

									TO DIMENSIONS UNLESS SPECIFIED				DRAWN CAV 06-06-2002								
									DEC.	INCHES			CHK ML 06-10-2002								
									.X	±.1	TITLE OUTLINE - EXP. PR. - TGN		APPD BW 06-10-2002	SCALE 1=5							
									.XX	±.03	280TD FR. - BB - STD. - 12.50 LAM.		REF								
									.XXX	±.005	MAT'L		FMF								
									1	NEW DRAWING MU41972	CAV 06-10-2002	BW	.XXXX	±.0005	PREV						
									NO. REVISION		BY & DATE	CHK	ANG	±7'30"	FINISH						
									THIS DRAWING IN DESIGN AND DETAIL IS OUR PROPERTY AND MUST NOT BE USED EXCEPT IN CONNECTION WITH OUR WORK ALL RIGHTS OF DESIGN AND INVENTION ARE RESERVED THIS IS AN ELECTRONICALLY GENERATED DOCUMENT - DO NOT SCALE THIS PRINT						RFP	CAD FILE ss311348	SIZE	DRAWING NO.	PAGE	OF	REV.
DASH	FRAME	C	AG	B	2F	2FF	2FFF	BV	11.00	DIST	LB	B	SS311348	1				1			

HIGH VOLTAGE



**THREE PHASE
DUAL VOLTAGE MOTOR**

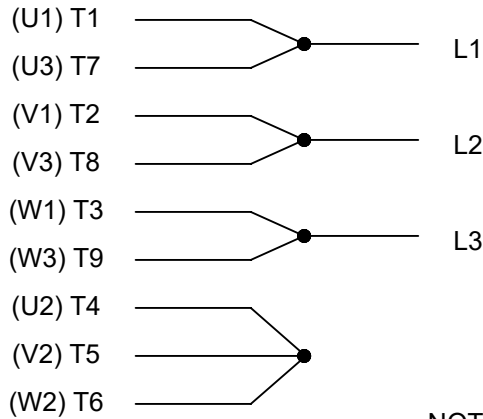
THERMO-PROTECTORS
CONNECTED IN SERIES



- RED OR PURPLE P1 (TB1)
- BLACK T1 (U1)
- BLACK T4 (U2)
- YELLOW T9 (W3)
- BROWN T7 (U3)
- ORANGE T8 (V3)
- BLACK T6 (W2)
- BLACK T5 (V2)
- RED T2 (V1)
- BLUE T3 (W1)
- PURPLE OR RED P2 (TB2)

NOTE FOR FACTORY USE ONLY:
TO SURGE TEST FOR COMMON CONNECT:
HIGH VOLT: CONNECT P1 TO T1
THEN P2 TO L1
LOW VOLT: CONNECT P1 TO T1 & T7,
THEN P2 TO L1

LOW VOLTAGE



VIEW OF TERMINAL END

NOTE: LEAD'S COLOR CAN BE YELLOW OR WHITE FOR MT2 PLANT

DRAWING REVISION T	REVISION BY ZR	DATE 01-14-2019		DRAWN BY SMC	Regal Beloit America, Inc.
ECO ECO-0159915	APPROVED BY DR	DATE 01-15-2019		DATE 05-13-1992	
ECO DESCRIPTION ADDED TERMINAL CONNECTION DIAGRAM				APPROVED BY TB	
<small>COPYRIGHT REGAL BELOIT AMERICA, INC. ALL RIGHTS RESERVED. PROPRIETARY AND CONFIDENTIAL INFORMATION - THIS DOCUMENT IS THE PROPERTY OF REGAL BELOIT AMERICA, INC. ("OWNER") AND CONTAINS OWNER'S PROPRIETARY INFORMATION. ANY PERSON, CORPORATION OR OTHER FIRM RECEIVING IT IS DEEMED, BY RECEIVING IT, TO AGREE THAT IT, AND/OR ANY PART OF IT, SHALL NOT BE DISCLOSED TO ANY PERSON, CORPORATION OR OTHER ENTITY, DUPLICATED, AND/OR USED, EXCEPT AS EXPRESSLY APPROVED IN WRITING IN ADVANCE BY OWNER. THIS DOCUMENT SHALL BE RETURNED TO OWNER UPON REQUEST. IT MAY BE SUBJECT TO CERTAIN RESTRICTIONS UNDER APPLICABLE EXPORT CONTROL LAWS AND REGULATIONS.</small>			DATE 05-13-1992	DESCRIPTION CONN DIAGRAM-INTERNAL 3 PHASE - DUAL VOLTAGE MOTOR	
			REFERENCE EE7308/EE7300	MATERIAL	PROCESS/FINISH
			THIRD ANGLE PROJECTION	SIZE A	DRAWING NUMBER EE7308T
					SHEET 1 OF 1