

# PRODUCT INFORMATION PACKET

**marathon**<sup>®</sup>  
Motors

Model No: 286TTFPA8102

Catalog No: L415

Other Purpose Motor, 15 & 10 HP, 3 Ph, 60 & 50 Hz, 230/460 & 190/380 V, 900 & 750 RPM, 286T Frame,  
TEFC

Regal and Marathon are trademarks of Regal Rexnord Corporation or one of its affiliated companies.

©2023 Regal Rexnord Corporation, All Rights Reserved. MC017097E

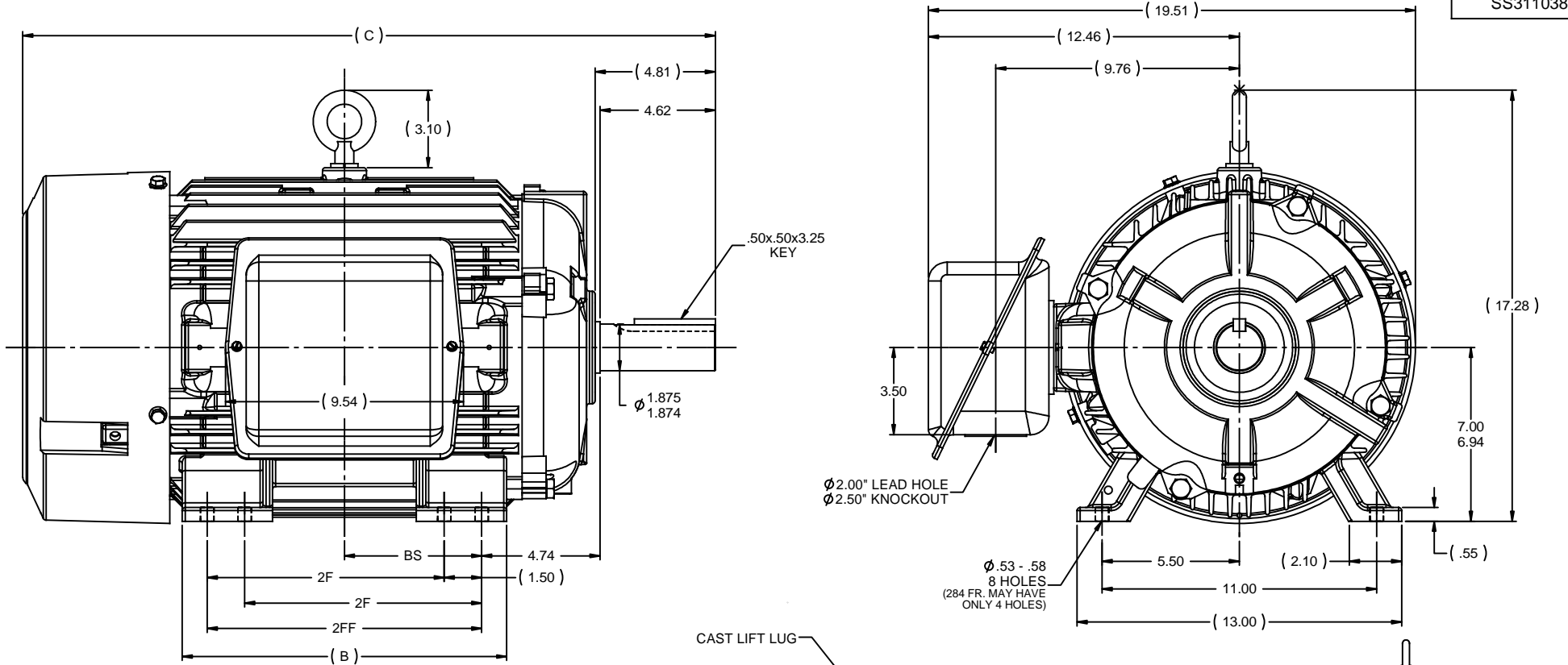
**RegalRexnord**

### Nameplate Specifications

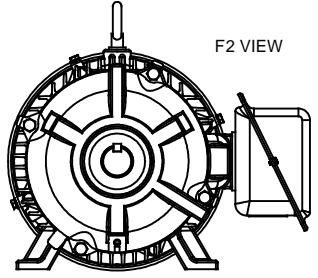
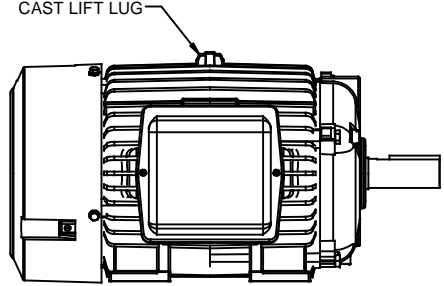
Phase	<b>3</b>	Output HP	<b>15 &amp; 10 Hp</b>
Output KW	<b>11.2 &amp; 7.5 kW</b>	Voltage	<b>230/460 &amp; 190/380 V</b>
Speed	<b>865 &amp; 725 rpm</b>	Service Factor	<b>1.15 &amp; 1.15</b>
Frame	<b>286T</b>	Enclosure	<b>Totally Enclosed Fan Cooled</b>
Thermal Protection	<b>No Protection</b>	Efficiency	<b>86.5 &amp; 86.5 %</b>
Ambient Temperature	<b>40 °C</b>	Frequency	<b>60 &amp; 50 Hz</b>
Current	<b>45/22.5 &amp; 38/19 A</b>	Power Factor	<b>71</b>
Duty	<b>Continuous</b>	Insulation Class	<b>F</b>
Design Code	<b>B</b>	KVA Code	<b>F</b>
Drive End Bearing Size	<b>6311</b>	Opp Drive End Bearing Size	<b>6210</b>
UL	<b>Recognized</b>	CSA	<b>Y</b>
CE	<b>Y</b>	IP Code	<b>43</b>
Number of Speeds	<b>1</b>		

### Technical Specifications

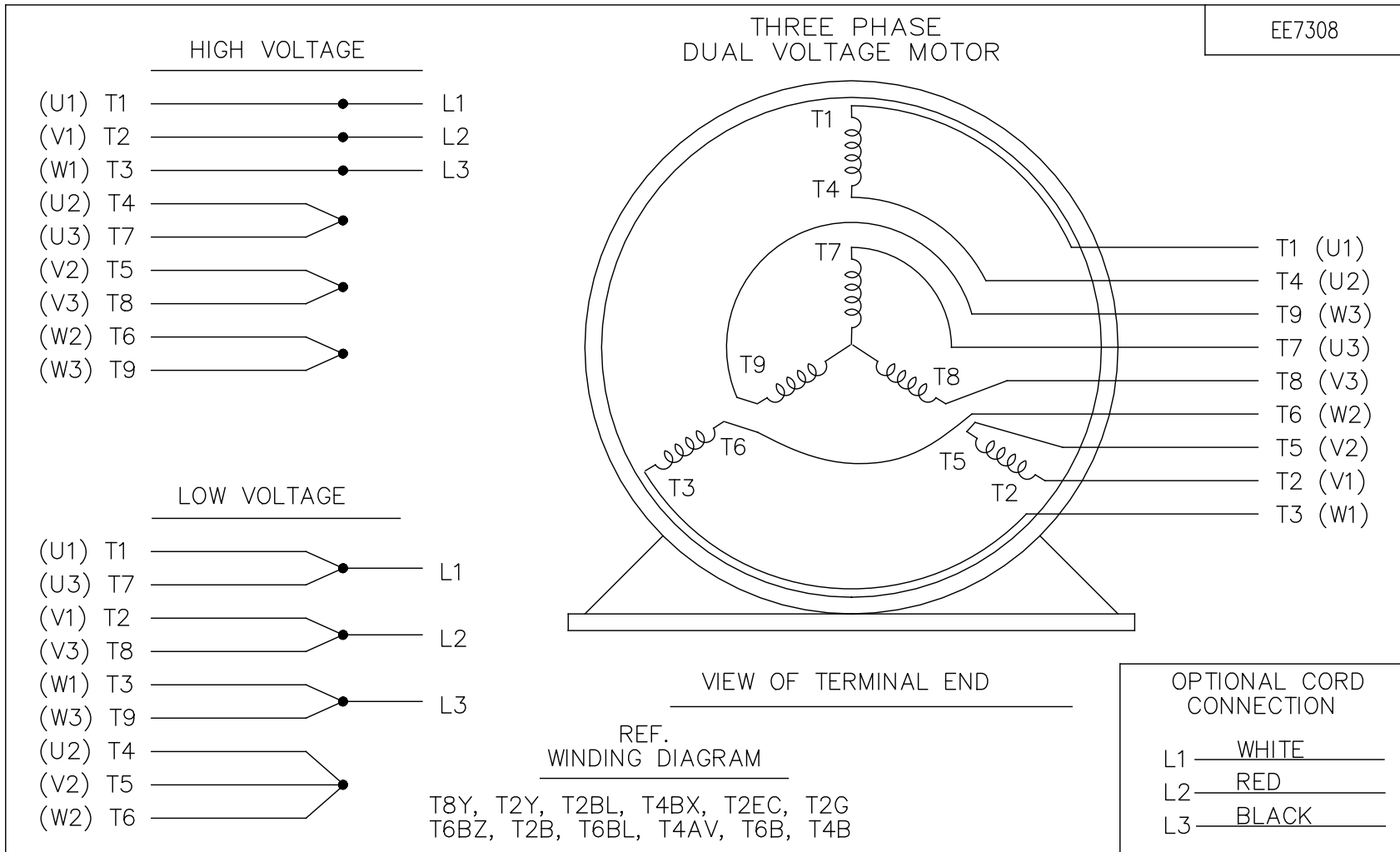
Electrical Type	<b>Squirrel Cage Induction Run</b>	Starting Method	<b>Across The Line</b>
Poles	<b>8</b>	Rotation	<b>Reversible</b>
Resistance Main	<b>0.81 Ohms</b>	Mounting	<b>Rigid Base</b>
Motor Orientation	<b>Horizontal</b>	Drive End Bearing	<b>Ball</b>
Opp Drive End Bearing	<b>Ball</b>	Frame Material	<b>Cast Iron</b>
Shaft Type	<b>T</b>	Overall Length	<b>27.76 in</b>
Frame Length	<b>14.25 in</b>	Shaft Diameter	<b>1.880 in</b>
Shaft Extension	<b>4.62 in</b>	Assembly/Box Mounting	<b>F1/F2 Capable</b>
Outline Drawing	<b>B-SS311038-1425</b>	Connection Drawing	<b>A-EE7308</b>



- NOTES:  
 1. CONDUIT BOX CAN BE ROTATED IN 90° STEPS.  
 2. CONDUIT BOX CAN BE MOUNTED ON OPPOSITE SIDE BY REMOVING BRACKETS AND TURNING FRAME 180°  
 3. NAMEPLATES TO BE READ FROM CONDUIT BOX SIDE OF MOTOR.



7	REVISED TO SHOW NEW FRAME	MU90645	MSG 03-31-2009	LC	TOLERANCES UNLESS SPECIFIED		DRAWN	DRS 07-06-2000
6	REVISED MOUNTING HOLE QUANTITY	CN 40694	DRS 10-25-2008	ML	DEC INCHES		CHK	ML 07-10-2000
5	ADDED F2 VIEW	MARKETING	RJW 12-15-2008	DRS	x ±.1	APPR	SW 07-10-2000	
4	REDRAWN IN AUTOCAD		TAT 06-29-2004	ML	xx ±.03	SCALE	1:4	
3	CORRECTED C'BOX HOLE	CN 29200-1454	HLB 02-16-2007	xxx	±.005	REF		
2	REMOVED DUAL DRILLING FROM FEET	CN 29200-991	NJS 10-26-2000	xxxx	±.0005	FMF		
NO	REVISION		BY & DATE	CHK	ANG ±7'30"	FINISH	PREV	SS200046
THIS DRAWING IN DESIGN AND DETAIL IS OUR PROPERTY AND MUST NOT BE USED EXCEPT IN CONNECTION WITH OUR WORK. ALL RIGHTS OF DESIGN AND INVENTION ARE RESERVED. THIS IS AN ELECTRONICALLY GENERATED DOCUMENT - DO NOT SCALE THIS PRINT						RFP	CAD FILE	SS311038
						DIST	LB	
							SIZE	DRAWING NO
							B	SS311038
							REV	7



NO.	REVISION	BY & DATE	CHK	ANG	TOLERANCES UNLESS SPECIFIED		FINISH	DRAWN RM 11/20/1990				
					DEC.	INCHES						
5	CHG TO REGAL LOGO	SL 09/10/2015	AB					CHK ML 11/21/1990				
4	REVISED IEC NOTATIONS	MSG 11/15/2011	CMN	.X	±.1			APPD SAS 04/24/2003				
3	ADDED IEC NOTATIONS... (U1), (V1) ETC. MU95194	MSG 5/10/2010	MJS	.XX	±.02		TITLE CONNECTION DIAGRAM	SCALE 1=1				
2	ADDED THE OPTIONAL CORD CONNECTION MU46318	RDH 04/24/2003	DRS	.XXX	±.005		3Ø - DUAL VOLTAGE MOTOR	REF				
1	REDRAWN	RM 11/20/1990		.XXXX	±.0005		MAT'L.	FMF				
					±7'30"			PREV				
THIS DRAWING IN DESIGN AND DETAIL IS OUR PROPERTY AND MUST NOT BE USED EXCEPT IN CONNECTION WITH OUR WORK ALL RIGHTS OF DESIGN AND INVENTION ARE RESERVED THIS IS AN ELECTRONICALLY GENERATED DOCUMENT - DO NOT SCALE THIS PRINT							RFP	CAD FILE ee7308	SIZE A	DRAWING NO. EE7308	PAGE OF 5	REV. 5
							DIST WP					