

# PRODUCT INFORMATION PACKET

marathon®  
Motors

Model No: 286TTFCD6026

Catalog No: GT1031A

Globetrotter® General Purpose Motor, 30 & 25 HP, 3 Ph, 60 & 50 Hz, 230/460 & 190/380 V,  
1800 & 1500 RPM, 286T Frame, TEFC



Regal and Marathon are trademarks of Regal Rexnord Corporation or one of its affiliated companies.  
©2024 Regal Rexnord Corporation, All Rights Reserved. MC017097E

RegalRexnord

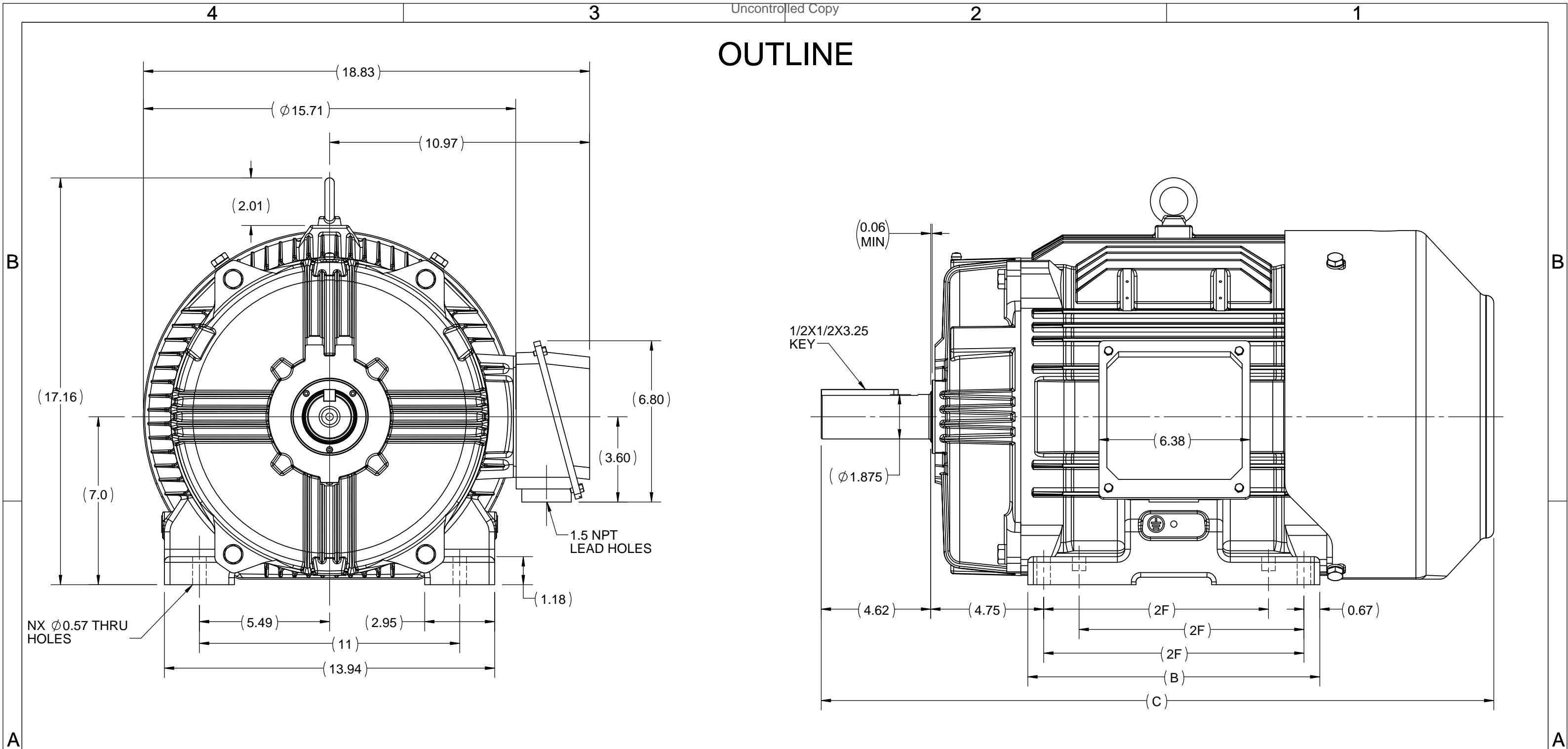
### Nameplate Specifications

|                        |                     |                            |                             |
|------------------------|---------------------|----------------------------|-----------------------------|
| Phase                  | 3                   | Output HP                  | 30 & 25 Hp                  |
| Output KW              | 22.4 & 18.7 kW      | Voltage                    | 230/460 & 190/380 V         |
| Speed                  | 1770 & 1470 rpm     | Service Factor             | 1.15 & 1.15                 |
| Frame                  | 286T                | Enclosure                  | Totally Enclosed Fan Cooled |
| Thermal Protection     | No Protection       | Efficiency                 | 93.6 & 92.7 %               |
| Ambient Temperature    | 40 °C               | Frequency                  | 60 & 50 Hz                  |
| Current                | 71/35.5 & 71/35.5 A | Power Factor               | 84                          |
| Duty                   | Continuous          | Insulation Class           | F                           |
| Design Code            | B                   | KVA Code                   | G                           |
| Drive End Bearing Size | 6311                | Opp Drive End Bearing Size | 6211                        |
| UL                     | Listed              | CSA                        | Y                           |
| CE                     | Y                   | IP Code                    | 55                          |
| Number of Speeds       | 1                   | Hazardous Location         | DIVISION 2 T2B              |


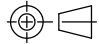
### Technical Specifications

|                       |                              |                    |  |
|-----------------------|------------------------------|--------------------|--|
| Electrical Type       | Squirrel Cage Inverter Rated | Starting Method    | Part Wdg Start Low Volt Only & Wye Start Delta Run Or Inverter |
| Poles                 | 4                            | Rotation           | Reversible   |
| Resistance Main       | .27 Ohms                     | Mounting           | Rigid Base   |
| Motor Orientation     | Horizontal                   | Drive End Bearing  | Ball   |
| Opp Drive End Bearing | Ball                         | Frame Material     | Cast Iron  |
| Shaft Type            | T                            | Overall Length     | 28.14 in   |
| Shaft Diameter        | 1.875 in                     | Shaft Extension    | 4.62 in  |
| Assembly/Box Mounting | F1/F2 CAPABLE                | Inverter Load      | CONSTANT 10:1/VARIABLE 10:1                                    |
| Outline Drawing       | SS620704-200                 | Connection Drawing | EE7308AA   |

# OUTLINE



|  |             |      |
|--|-------------|------|
| DRAWING REVISION<br>A  | REVISION BY | DATE |
| ECO<br>ECO-0116959   | APPROVED BY | DATE |
| ECO DESCRIPTION  |             |      |
| <b>NEW DRAWING RELEASE</b><br>COPYRIGHT REGAL BELOIT AMERICA, INC. ALL RIGHTS RESERVED.<br>PROPRIETARY AND CONFIDENTIAL INFORMATION - THIS DOCUMENT IS THE PROPERTY OF<br>REGAL BELOIT AMERICA, INC. ("OWNER") AND CONTAINS OWNER'S PROPRIETARY<br>INFORMATION. ANY PERSON, CORPORATION OR OTHER FIRM RECEIVING IT IS DEEMED,<br>BY RECEIVING IT, TO AGREE THAT IT, AND/OR ANY PART OF IT, SHALL NOT BE DISCLOSED<br>TO ANY PERSON, CORPORATION OR OTHER ENTITY, DUPLICATED, AND/OR USED, EXCEPT<br>AS EXPRESSLY APPROVED IN WRITING IN ADVANCE BY OWNER. THIS DOCUMENT SHALL<br>BE RETURNED TO OWNER UPON REQUEST. IT MAY BE SUBJECT TO CERTAIN<br>RESTRICTIONS UNDER APPLICABLE EXPORT CONTROL LAWS AND REGULATIONS. |             |      |

|  |  |
|--|--|
| DRAWN BY<br>SN   |  Regal Beloit America, Inc. |
| DATE<br>13/01/2017   |  |
| APPROVED BY<br>SBD   | DESCRIPTION<br><b>OUTLINE</b><br>284/286T FR-TEFC-CAST IRON  |
| DATE<br>13/01/2017   | MATERIAL<br>284/286T FR-TEFC-CAST IRON   |
| REFERENCE  | PROCESS/FINISH   |
| THIRD ANGLE PROJECTION  | SIZE<br><b>B</b>   |
|  | DRAWING NUMBER<br><b>SS620704F</b>   |
|  | SHEET<br>1 OF 1  |



### LOW VOLTAGE



### HIGH VOLTAGE



|  |                              |                           |
|--|------------------------------|---------------------------|
| DRAWING REVISION<br><b>K</b>   | REVISION BY<br><b>AJW</b>    | DATE<br><b>07-17-2015</b> |
| ECO<br><b>ECO-0081632</b>  | APPROVED BY<br><b>T. VUE</b> | DATE<br><b>07-17-2015</b> |
| ECO DESCRIPTION<br><b>REV'D IEC MARKINGS PER IEC 60034-8</b>   |                              |                           |
| COPYRIGHT REGAL BELOIT AMERICA, INC. ALL RIGHTS RESERVED.<br>PROPRIETARY AND CONFIDENTIAL INFORMATION - THIS DOCUMENT IS THE PROPERTY OF<br>REGAL BELOIT AMERICA, INC. ("OWNER") AND CONTAINS OWNER'S PROPRIETARY<br>INFORMATION. ANY PERSON, CORPORATION OR OTHER FIRM RECEIVING IT IS DEEMED,<br>BY RECEIVING IT, TO AGREE THAT IT, AND/OR ANY PART OF IT, SHALL NOT BE DISCLOSED<br>TO ANY PERSON, CORPORATION OR OTHER ENTITY, DUPLICATED, AND/OR USED, EXCEPT<br>AS EXPRESSLY APPROVED IN WRITING IN ADVANCE BY OWNER. THIS DOCUMENT SHALL<br>BE RETURNED TO OWNER UPON REQUEST. IT MAY BE SUBJECT TO CERTAIN<br>RESTRICTIONS UNDER APPLICABLE EXPORT CONTROL LAWS AND REGULATIONS. |                              |                           |



|                           |   |                                   |
|---------------------------|---|-----------------------------------|
| DRAWN BY<br><b>LZ</b>     | <b>Regal Beloit America, Inc.</b>   |                                   |
| DATE<br><b>01-12-1994</b> |   |                                   |
| APPROVED BY<br><b>GK</b>  | DESCRIPTION<br><b>CONN DIAGRAM-EXTERNAL</b><br><b>3Ø-2/1 DELTA-12 LEADS</b> |                                   |
| DATE<br><b>01-14-1994</b> |   |                                   |
| REFERENCE                 | MATERIAL  | PROCESS/FINISH                    |
| THIRD ANGLE PROJECTION    | SIZE<br><b>A</b>  | DRAWING NUMBER<br><b>EE7308AA</b> |
|                           |   | SHEET<br><b>1 OF 1</b>            |



**P.O. BOX 8003  
WAUSAU, WI 54401-8003  
PH. 715-675-3311**

**CERTIFICATION DATA SHEET**

**CUSTOMER:**

**CUSTOMER**

**ORDER #:**

**PO#:**

**CONN. DIAGRAM:** A-EE7308AA

**MODEL #:** 286TTFCD6026 BB

**CUSTOMER PART**

**OUTLINE:** SS620704-286

**#:**

**WINDING #:** HE31804006 2

**MOUNTING:** F1/F2 CAPABLE

**TYPICAL MOTOR PERFORMANCE DATA**

| HP    | kW        | SYNC. RPM | F.L. RPM  | FRAME | ENCLOSURE | KVA CODE | DESIGN |
|-------|-----------|-----------|-----------|-------|-----------|----------|--------|
| 30&25 | 22.4&18.7 | 1800      | 1775&1475 | 286T  | TEFC      | G        | B      |

| PH | Hz    | VOLTS           | AMPS              | START TYPE           | DUTY       | INSL | S.F.      | AMB°C |
|----|-------|-----------------|-------------------|----------------------|------------|------|-----------|-------|
| 3  | 60/50 | 230/460&190/380 | 72.5/36.5&73/36.5 | Y START D RUN OR INV | CONTINUOUS | F7   | 1.15/1.15 | 40    |

| FULL LOAD EFF: | 93.6&93 | 3/4 LOAD EFF: | 93.6 | 1/2 LOAD EFF: | 93   | GTD. EFF | ELEC. TYPE        |
|----------------|---------|---------------|------|---------------|------|----------|-------------------|
| FULL LOAD PF:  | 83&84   | 3/4 LOAD PF:  | 78   | 1/2 LOAD PF:  | 67.5 | 93       | SQ CAGE INV RATED |

| F.L. TORQUE | LOCKED ROTOR AMPS | L.R. TORQUE     | B.D. TORQUE     | F.L. RISE°C |
|-------------|-------------------|-----------------|-----------------|-------------|
| 89 LB-FT    | 434 / 217         | 178 LB-FT 200 % | 227 LB-FT 255 % | 65          |

| SOUND PRESSURE @ 3 FT. | SOUND POWER | ROTOR WK^2  | MAX. WK^2   | SAFE STALL TIME | STARTS / HOUR | APPROX. MOTOR WGT |
|------------------------|-------------|-------------|-------------|-----------------|---------------|-------------------|
| 68 dBA                 | 78 dBA      | 5.7 LB-FT^2 | 225 LB-FT^2 | 20 SEC.         | 2             | 492 LBS.          |

**\*\*\* SUPPLEMENTAL INFORMATION \*\*\***

| DE BRACKET TYPE | ODE BRACKET TYPE | MOUNT TYPE | ORIENTATION | SEVERE DUTY | HAZARDOUS LOCATION | DRIP COVER | SCREENS | PAINT         |
|-----------------|------------------|------------|-------------|-------------|--------------------|------------|---------|---------------|
| STANDARD        | STANDARD         | RIGID      | HORIZONTAL  | FALSE       | DIVISION 2 T2B     | FALSE      | NONE    | BLUE (ENAMEL) |

| BEARINGS |      | GREASE     | SHAFT TYPE | SPECIAL DE | SPECIAL ODE | SHAFT MATERIAL          | FRAME MATERIAL |
|----------|------|------------|------------|------------|-------------|-------------------------|----------------|
| DE       | ODE  |            |            |            |             |                         |                |
| BALL     | BALL | POLYREX EM | T          | NONE       | NONE        | 1045 HOT ROLLED (C-204) | CAST IRON      |
| 6311     | 6211 |            |            |            |             |                         |                |

| THERMO-PROTECTORS |            |          |          | THERMISTORS | CONTROL | SPACE HEATERS |
|-------------------|------------|----------|----------|-------------|---------|---------------|
| THERMOSTATS       | PROTECTORS | WDG RTDs | BRG RTDs |             |         |               |
| NONE              | NOT        | NONE     | NONE     | NONE        | FALSE   | NONE VOLTS    |

\*  
N  
O  
T  
E  
S  
\*

|  |
|--|
| <b>INVERTER</b><br><b>TORQUE:</b> CONSTANT 10:1/VARIABLE 10:1                      |
| <b>INV. HP SPEED RANGE:</b> NONE   |
| <b>ENCODER:</b> NONE<br>NONE NONE<br>NONE NONE PPR                                 |
| <b>BRAKE:</b> NONE NONE<br>NONE P/N NONE<br>NONE NONE<br>NONE FT-LB NONE V NONE Hz |

**PREPARED BY:** Anusha Muthyala  
**DATE:** 09/24/2019 01:38:34 AM  
FORM 3531 REV.3 02/07/99  
\*\* Subject to change without notice.

Data Sheet

Date: 7/16/2020  
 Customer: \_\_\_\_\_  
 Attention: \_\_\_\_\_  
 Submitted by: \_\_\_\_\_

286TTFCD6026



Submittal

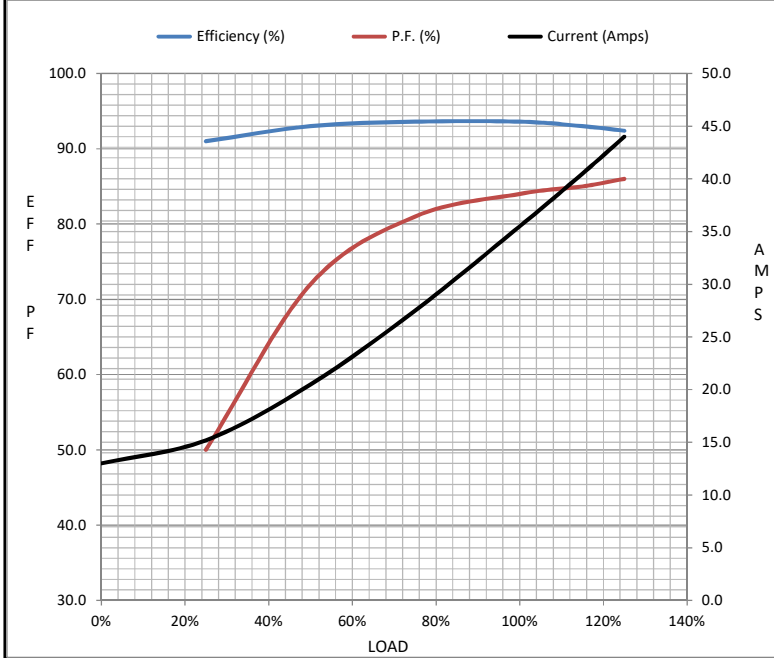
Data @ 460 V

Motor Load Data

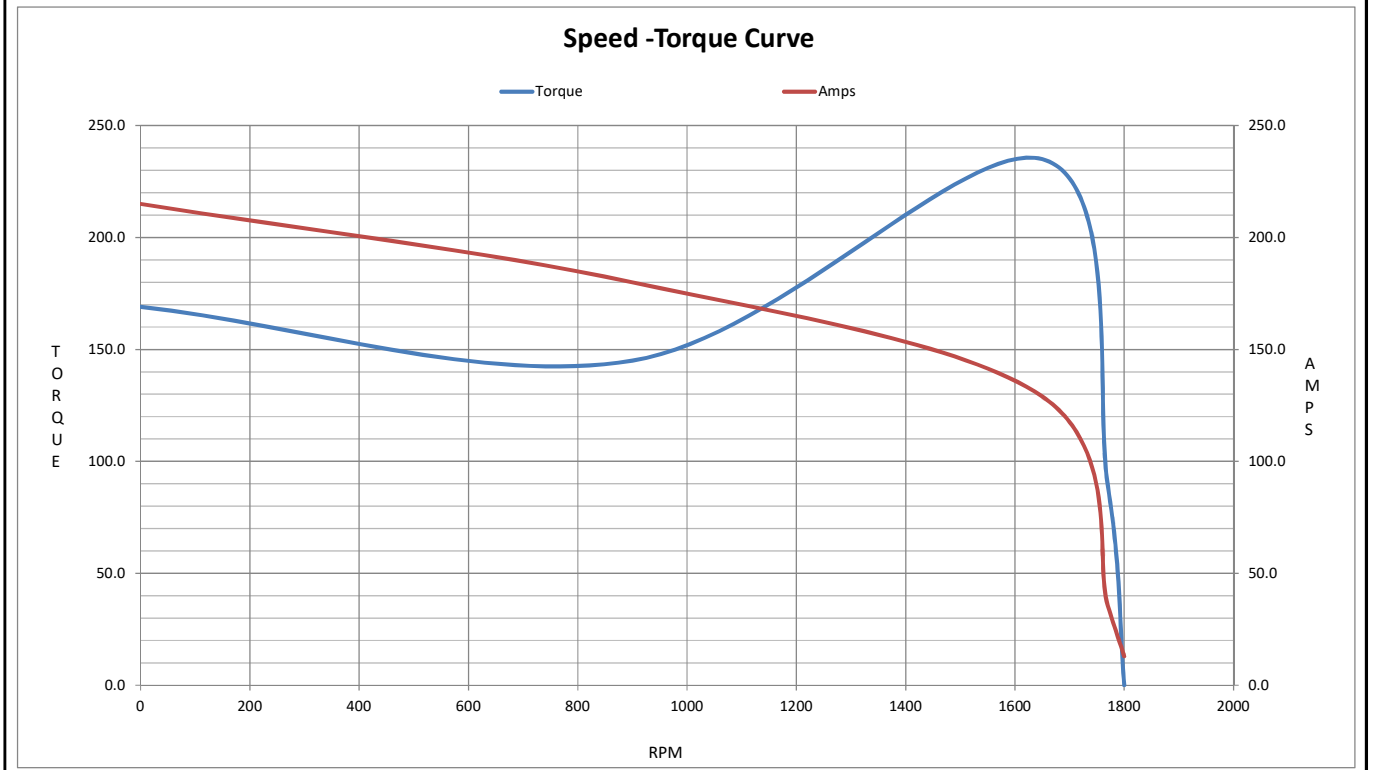
| Load           | 0%   | 25%  | 50%  | 75%  | 100% | 115%  | 125% | LR   |
|----------------|------|------|------|------|------|-------|------|------|
| Current (Amps) | 13.0 | 15.2 | 20.5 | 27.5 | 35.5 | 40.5  | 44.0 | 215  |
| Torque (ft-lb) | 0.00 | 22.0 | 44.0 | 66.5 | 89.0 | 103   | 112  | 169  |
| RPM            | 1800 | 1792 | 1785 | 1780 | 1770 | 1,765 | 1762 | 0    |
| Efficiency (%) |      | 91.0 | 93.0 | 93.6 | 93.6 | 93.0  | 92.4 |      |
| P.F. (%)       | 4.5  | 50.0 | 72.0 | 81.0 | 84.0 | 85.0  | 86.0 | 36.0 |

Motor Speed Data

|                | LR  | Pull-Up | BD   | Rated | Idle | Information Block           |                             |                    |        |         |
|----------------|-----|---------|------|-------|------|-----------------------------|-----------------------------|--------------------|--------|---------|
| Speed (RPM)    | 0   | 900     | 1650 | 1770  | 1800 | HP                          | 30.0                        |                    |        |         |
| Current (Amps) | 215 | 180     | 129  | 35.5  | 13.0 | Sync. RPM                   | 1800                        |                    |        |         |
| Torque (ft-lb) | 169 | 145     | 235  | 89.0  | 0.00 | Frame                       | 286                         |                    |        |         |
|                |     |         |      |       |      | Enclosure                   | TEFC                        |                    |        |         |
|                |     |         |      |       |      | Construction                | TFC                         |                    |        |         |
|                |     |         |      |       |      | Voltage                     | 208-230/460#190/380 V       |                    |        |         |
|                |     |         |      |       |      | Frequency                   | 60                          | Hz                 |        |         |
|                |     |         |      |       |      | Design                      | B                           |                    |        |         |
|                |     |         |      |       |      | LR Code letter              | G                           |                    |        |         |
|                |     |         |      |       |      | Service Factor              | 1.15                        |                    |        |         |
|                |     |         |      |       |      | Temp Rise @ FL              | 65                          | ° C                |        |         |
|                |     |         |      |       |      | Duty                        | CONT                        |                    |        |         |
|                |     |         |      |       |      | Ambient                     | 40                          | ° C                |        |         |
|                |     |         |      |       |      | Elevation                   | 3,300 feet                  |                    |        |         |
|                |     |         |      |       |      | Rotor/Shaft wk <sup>2</sup> | 5.7                         | Lb-Ft <sup>2</sup> |        |         |
|                |     |         |      |       |      | Ref Wdg                     | HA31804013 NONE             |                    |        |         |
|                |     |         |      |       |      | Sound Pressure @ 1M         | 75                          | dBA                |        |         |
|                |     |         |      |       |      | VFD Rating                  | CONSTANT 10:1/VARIABLE 10:1 |                    |        |         |
|                |     |         |      |       |      | Outline Dwg                 | 037898-912                  |                    |        |         |
|                |     |         |      |       |      | Conn. Diag                  | EE7308AA                    |                    |        |         |
|                |     |         |      |       |      | Additional Specifications:  |                             |                    |        |         |
|                |     |         |      |       |      | 0                           |                             |                    |        |         |
|                |     |         |      |       |      | 0                           |                             |                    |        |         |
|                |     |         |      |       |      | EQUIV CKT (OHMS / PHASE)    |                             |                    |        |         |
|                |     |         |      |       |      | R1                          | R2                          | X1                 | X2     | Xm      |
|                |     |         |      |       |      | 0.1750                      | 0.1250                      | 0.6710             | 0.9400 | 20.3180 |



|                             |                             |                    |        |
|-----------------------------|-----------------------------|--------------------|--------|
| HP                          | 30.0                        |                    |        |
| Sync. RPM                   | 1800                        |                    |        |
| Frame                       | 286                         |                    |        |
| Enclosure                   | TEFC                        |                    |        |
| Construction                | TFC                         |                    |        |
| Voltage                     | 208-230/460#190/380 V       |                    |        |
| Frequency                   | 60                          | Hz                 |        |
| Design                      | B                           |                    |        |
| LR Code letter              | G                           |                    |        |
| Service Factor              | 1.15                        |                    |        |
| Temp Rise @ FL              | 65                          | ° C                |        |
| Duty                        | CONT                        |                    |        |
| Ambient                     | 40                          | ° C                |        |
| Elevation                   | 3,300 feet                  |                    |        |
| Rotor/Shaft wk <sup>2</sup> | 5.7                         | Lb-Ft <sup>2</sup> |        |
| Ref Wdg                     | HA31804013 NONE             |                    |        |
| Sound Pressure @ 1M         | 75                          | dBA                |        |
| VFD Rating                  | CONSTANT 10:1/VARIABLE 10:1 |                    |        |
| Outline Dwg                 | 037898-912                  |                    |        |
| Conn. Diag                  | EE7308AA                    |                    |        |
| Additional Specifications:  |                             |                    |        |
| 0                           |                             |                    |        |
| 0                           |                             |                    |        |
| EQUIV CKT (OHMS / PHASE)    |                             |                    |        |
| R1                          | R2                          | X1                 | X2     |
| 0.1750                      | 0.1250                      | 0.6710             | 0.9400 |
| Xm                          |                             |                    |        |
| 20.3180                     |                             |                    |        |



## EC Declaration of Conformity

The undersigned representing  
the manufacturer:

Regal Beloit America  
100 East Randolph St.  
Wausau, WI 54401

and the authorized representative  
established within the Community:

Marathon Electric UK  
6F Thistleton Road Ind. Estate  
Market Overton  
Oakham, Rutland LE15 7PP UK

are committed to providing customers with products that comply with applicable regulations and international protocols to which they are subject, including the requirements of the European Parliament Directive on the Harmonization of the laws relating to electrical equipment designed for use within certain voltage limits (2014/35/EU).

Regal Beloit America declares that the following product(s), to which this declaration relates, are in conformity with the relevant sections of the EC standards listed below.

This statement supersedes any statements previously issued pertaining to the product(s) listed below and is subject to change without notice.

Model No : 286TTFCD6026

(Model No. may contain prefix and/or suffix characters)

Catalog No : GT1031A

Rework No : N/A

Directives :

Low Voltage Directive 2014/35/EU

Harmonized Standards Used :

EN 60034-1: 2010 (IEC 60034-1: 2010)

EN 60034-5: 2001/A1:2007 (IEC 60034-5: 2000/A1:2006)

Authorized Representative:



Michael A. Logsdon  
Vice President, Technology

Authorized Representative in the Community:



Julian Clark  
Marketing Engineer

Created on 09/01/2022

**CE 22**