

# PRODUCT INFORMATION PACKET

Model No: 286TTFCD6006

Catalog No: GT3130A

Globetrotter® Close-Coupled Pump Motor, 30 & 25 HP, 3 Ph, 60 & 50 Hz, 230/460 & 190/380 V,  
3600 & 3000 RPM, 286JM Frame, TEFC



Regal and Marathon are trademarks of Regal Rexnord Corporation or one of its affiliated companies.  
©2024 Regal Rexnord Corporation, All Rights Reserved. MC017097E

### Nameplate Specifications

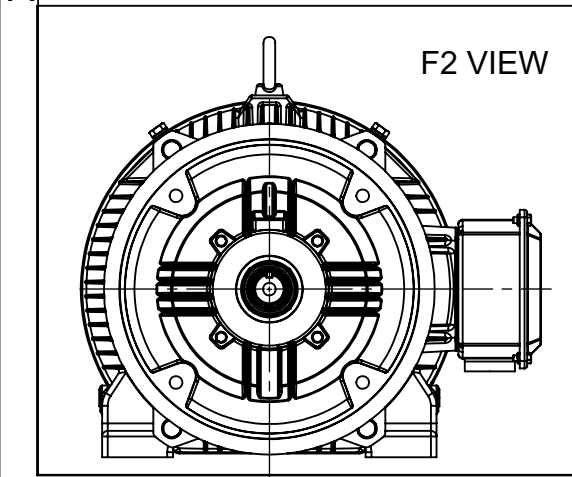
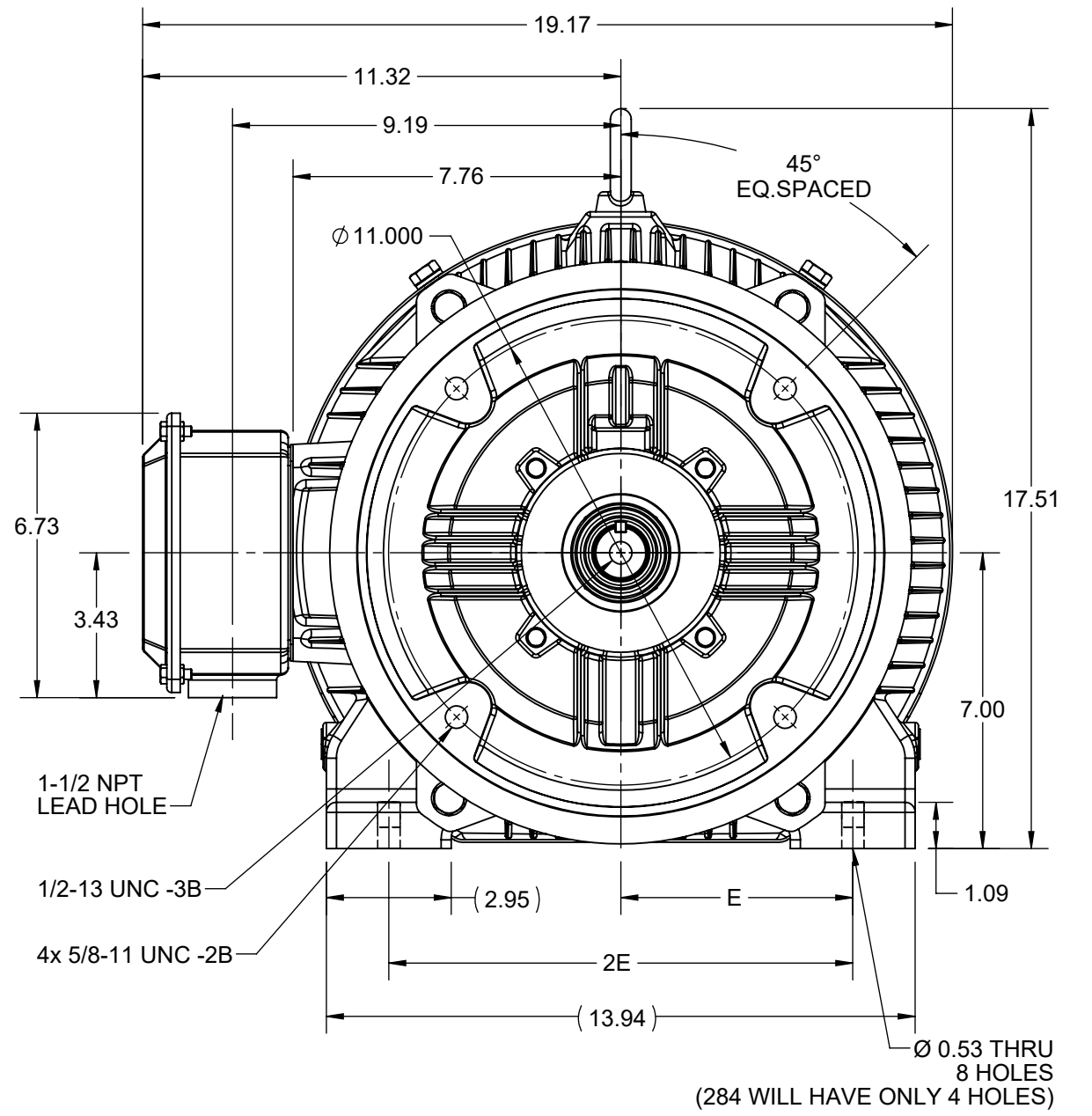
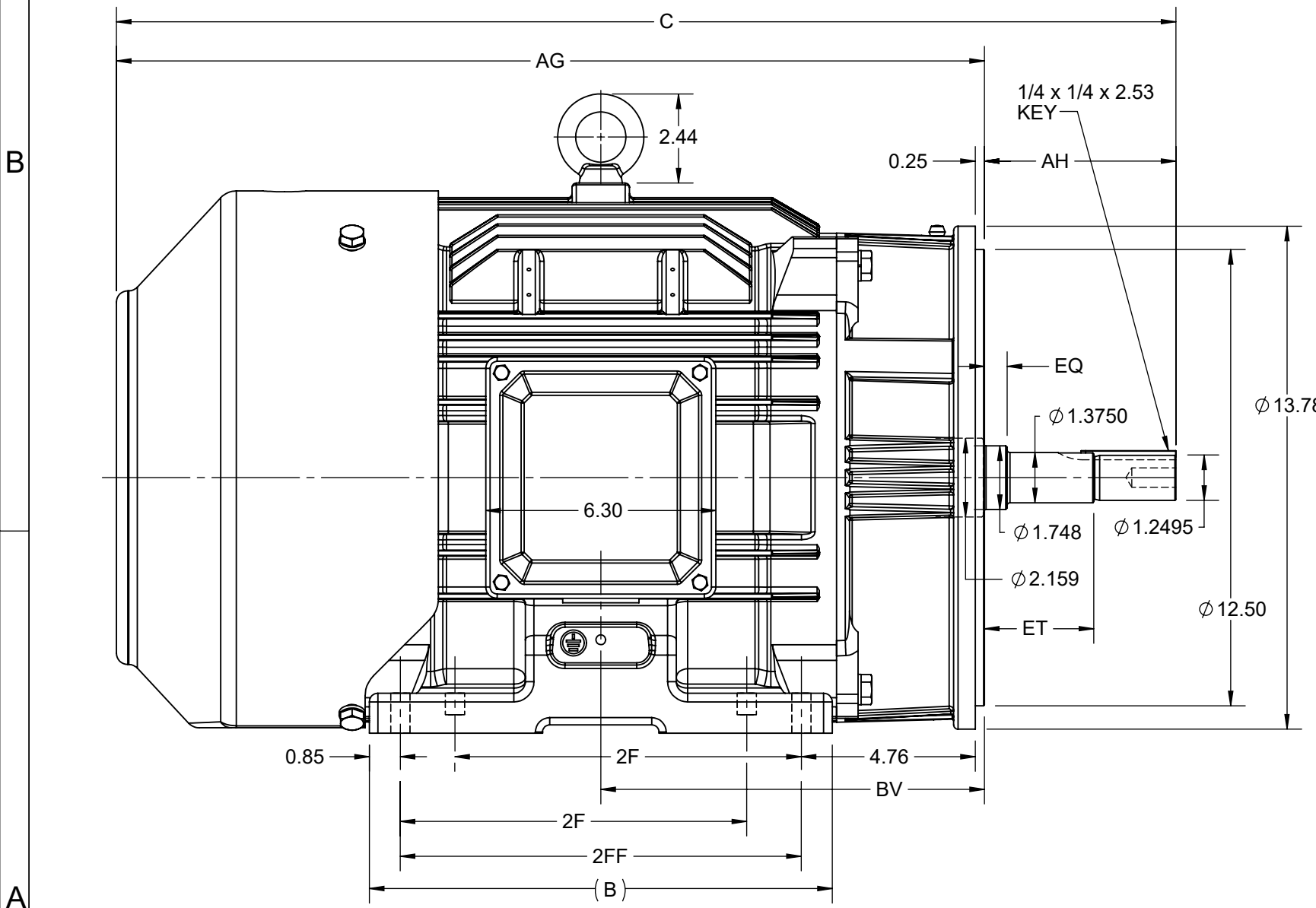
|                        |                   |                            |                             |
|------------------------|-------------------|----------------------------|-----------------------------|
| Phase                  | 3                 | Output HP                  | 30 & 25 Hp                  |
| Output KW              | 22.4 & 18.7 kW    | Voltage                    | 230/460 & 190/380 V         |
| Speed                  | 3550 & 2950 rpm   | Service Factor             | 1.15 & 1.15                 |
| Frame                  | 286JM             | Enclosure                  | Totally Enclosed Fan Cooled |
| Thermal Protection     | No Protection     | Efficiency                 | 91.7 & 91.4 %               |
| Ambient Temperature    | 40 °C             | Frequency                  | 60 & 50 Hz                  |
| Current                | 71/35.5 & 72/36 A | Power Factor               | 86.5                        |
| Duty                   | Continuous        | Insulation Class           | F                           |
| Design Code            | B                 | KVA Code                   | G                           |
| Drive End Bearing Size | 6311              | Opp Drive End Bearing Size | 6211                        |
| UL                     | Listed            | CSA                        | Y                           |
| CE                     | Y                 | IP Code                    | 55                          |
| Number of Speeds       | 1                 | Hazardous Location         | DIVISION 2 T2B              |

### Technical Specifications

|                       |                              |                       |  |
|-----------------------|------------------------------|-----------------------|--|
| Electrical Type       | Squirrel Cage Inverter Rated | Starting Method       | Part Wdg Start Low Volt Only & Wye Start Delta Run Or Inverter |
| Poles                 | 2                            | Rotation              | Reversible   |
| Resistance Main       | .338 Ohms                    | Mounting              | Rigid Base   |
| Motor Orientation     | Horizontal                   | Drive End Bearing     | Ball   |
| Opp Drive End Bearing | Ball                         | Frame Material        | Cast Iron  |
| Shaft Type            | JM                           | Overall Length        | 29.02 in   |
| Frame Length          | 12.91 in                     | Shaft Diameter        | 1.375 in   |
| Shaft Extension       | 5.5 in                       | Assembly/Box Mounting | F1/F2 CAPABLE  |
| Inverter Load         | CONSTANT 2:1/VARIABLE 10:1   |                       |  |
| Connection Drawing    | EE7308AA                     | Outline Drawing       | SS620797-200   |

This is an uncontrolled document once printed or downloaded and is subject to change without notice. Date Created:10/18/2024

| DASH NO. | 4     |       |      |       | 3    |       |       |      | 2     |      |      |          | 1         |  |
|----------|-------|-------|------|-------|------|-------|-------|------|-------|------|------|----------|-----------|--|
|          | B     | C     | E    | 2E    | 2F   | 2FF   | AG    | AH   | BV    | EQ   | ET   | MOUNTING | FRAME     |  |
| 100      | 10.83 | 27.52 | 5.50 | 11.00 | ---  | 9.50  | 22.27 | 5.25 | 9.76  | 0.62 | 2.99 | F1 OR F2 | 284JM     |  |
| 200      | 12.68 | 29.02 |      |       | 9.50 | 11.00 | 23.77 |      | 10.50 |      |      |          | 284/286JM |  |



|   |                    |                               |
|---|--------------------|-------------------------------|
| DRAWING REVISION<br>D   | REVISION BY<br>VS  | REV DATE/© DATE<br>20-01-2021 |
| ECO<br>CR-0000688   | APPROVED BY<br>GNK | DATE<br>20-01-2021            |
| ECO DESCRIPTION<br><b>DRAWING UPDATED</b><br>COPYRIGHT (PER REVISION DATE) REGAL BELOIT AMERICA, INC. ALL RIGHTS RESERVED. PROPRIETARY AND CONFIDENTIAL INFORMATION - THIS DOCUMENT IS THE PROPERTY OF REGAL BELOIT AMERICA, INC. ("OWNER") AND CONTAINS OWNER'S PROPRIETARY INFORMATION. ANY PERSON, CORPORATION OR OTHER FIRM RECEIVING IT IS DEEMED, BY RECEIVING IT, TO AGREE THAT IT, AND/OR ANY PART OF IT, SHALL NOT BE DISCLOSED TO ANY PERSON, CORPORATION OR OTHER ENTITY, DUPLICATED, AND/OR USED, EXCEPT AS EXPRESSLY APPROVED IN WRITING IN ADVANCE BY OWNER. THIS DOCUMENT SHALL BE RETURNED TO OWNER UPON REQUEST. IT MAY BE SUBJECT TO CERTAIN RESTRICTIONS UNDER APPLICABLE EXPORT CONTROL LAWS AND REGULATIONS. |                    |                               |

PRIMARY DIMENSIONS ARE INCH  
mm DIMENSIONS IN [BRACKETS]  
ARE FOR REFERENCE ONLY

|                        |  |
|------------------------|--|
| DRAWN BY<br>SN         | <b>REGAL</b> ® Regal Beloit America, Inc.                          |
| DATE<br>12/04/2017     |  |
| APPROVED BY<br>SBD     | DESCRIPTION<br><b>OUTLINE</b><br>284/286 JM FR NEMA TEFC-CAST IRON |
| DATE<br>12/04/2017     | MATERIAL<br>PROCESS/FINISH   |
| REFERENCE              | SIZE<br>DRAWING NUMBER<br><b>B</b> SS620797                        |
| THIRD ANGLE PROJECTION | SHEET<br>1 OF 1  |



### LOW VOLTAGE



### HIGH VOLTAGE



### VIEW OF TERMINAL END

|  |                              |                           |
|--|------------------------------|---------------------------|
| DRAWING REVISION<br><b>K</b>   | REVISION BY<br><b>AJW</b>    | DATE<br><b>07-17-2015</b> |
| ECO<br><b>ECO-0081632</b>  | APPROVED BY<br><b>T. VUE</b> | DATE<br><b>07-17-2015</b> |
| ECO DESCRIPTION<br><b>REV'D IEC MARKINGS PER IEC 60034-8</b>   |                              |                           |
| COPYRIGHT REGAL BELOIT AMERICA, INC. ALL RIGHTS RESERVED.<br>PROPRIETARY AND CONFIDENTIAL INFORMATION - THIS DOCUMENT IS THE PROPERTY OF<br>REGAL BELOIT AMERICA, INC. ("OWNER") AND CONTAINS OWNER'S PROPRIETARY<br>INFORMATION. ANY PERSON, CORPORATION OR OTHER FIRM RECEIVING IT IS DEEMED,<br>BY RECEIVING IT, TO AGREE THAT IT, AND/OR ANY PART OF IT, SHALL NOT BE DISCLOSED<br>TO ANY PERSON, CORPORATION OR OTHER ENTITY, DUPLICATED, AND/OR USED, EXCEPT<br>AS EXPRESSLY APPROVED IN WRITING IN ADVANCE BY OWNER. THIS DOCUMENT SHALL<br>BE RETURNED TO OWNER UPON REQUEST. IT MAY BE SUBJECT TO CERTAIN<br>RESTRICTIONS UNDER APPLICABLE EXPORT CONTROL LAWS AND REGULATIONS. |                              |                           |



|                           |   |                                   |
|---------------------------|---|-----------------------------------|
| DRAWN BY<br><b>LZ</b>     | <b>Regal Beloit America, Inc.</b>   |                                   |
| DATE<br><b>01-12-1994</b> |   |                                   |
| APPROVED BY<br><b>GK</b>  | DESCRIPTION<br><b>CONN DIAGRAM-EXTERNAL</b><br><b>3Ø-2/1 DELTA-12 LEADS</b> |                                   |
| DATE<br><b>01-14-1994</b> |   |                                   |
| REFERENCE                 | MATERIAL  | PROCESS/FINISH                    |
| THIRD ANGLE PROJECTION    | SIZE<br><b>A</b>  | DRAWING NUMBER<br><b>EE7308AA</b> |
|                           |   | SHEET<br><b>1 OF 1</b>            |



**P.O. BOX 8003  
WAUSAU, WI 54401-8003  
PH. 715-675-3311**

**CERTIFICATION DATA SHEET**

**CUSTOMER:**

**CUSTOMER PO#:**

**ORDER #:**

**MODEL #:** 286TTFCD6006 AA

**CONN. DIAGRAM:** EE7308AA

**CUSTOMER PART**

**#:**

**OUTLINE:** SS620797

**MOUNTING:** F1/F2 CAPABLE

**WINDING #:** HE31802003 2

**TYPICAL MOTOR PERFORMANCE DATA**

| HP    | kW        | SYNC. RPM | F.L. RPM  | FRAME | ENCLOSURE | KVA CODE | DESIGN |
|-------|-----------|-----------|-----------|-------|-----------|----------|--------|
| 30&25 | 22.4&18.7 | 3600      | 3550&2950 | 286JM | TEFC      | G        | B      |

| PH | Hz    | VOLTS           | AMPS          | START TYPE           | DUTY       | INSL | S.F.      | AMB°C |
|----|-------|-----------------|---------------|----------------------|------------|------|-----------|-------|
| 3  | 60/50 | 230/460&190/380 | 71/35.5&72/36 | Y START D RUN OR INV | CONTINUOUS | F7   | 1.15/1.15 | 40    |

| FULL LOAD EFF: | 91.7&91.4 | 3/4 LOAD EFF: | 91.7 | 1/2 LOAD EFF: | 91.4 | GTD. EFF |                   | ELEC. TYPE |  |
|----------------|-----------|---------------|------|---------------|------|----------|-------------------|------------|--|
| FULL LOAD PF:  | 86.5&87   | 3/4 LOAD PF:  | 83.5 | 1/2 LOAD PF:  | 75.5 | 91       | SQ CAGE INV RATED |            |  |

| F.L. TORQUE | LOCKED ROTOR AMPS | L.R. TORQUE    | B.D. TORQUE     | F.L. RISE°C |
|-------------|-------------------|----------------|-----------------|-------------|
| 44.4 LB-FT  | 420 / 210         | 77 LB-FT 173 % | 107 LB-FT 241 % | 65          |

| SOUND PRESSURE @ 3 FT. | SOUND POWER | ROTOR WK^2  | MAX. WK^2  | SAFE STALL TIME | STARTS / HOUR | APPROX. MOTOR WGT |
|------------------------|-------------|-------------|------------|-----------------|---------------|-------------------|
| 72 dBA                 | 82 dBA      | 3.3 LB-FT^2 | 35 LB-FT^2 | 20 SEC.         | 2             | 500 LBS.          |

**\*\*\* SUPPLEMENTAL INFORMATION \*\*\***

| DE BRACKET TYPE | ODE BRACKET TYPE | MOUNT TYPE | ORIENTATION | SEVERE DUTY | HAZARDOUS LOCATION | DRIP COVER | SCREENS | PAINT         |
|-----------------|------------------|------------|-------------|-------------|--------------------|------------|---------|---------------|
| C-FACE          | STANDARD         | RIGID      | HORIZONTAL  | FALSE       | DIVISION 2 T2B     | FALSE      | NONE    | BLUE (ENAMEL) |

| BEARINGS |      | GREASE     | SHAFT TYPE | SPECIAL DE | SPECIAL ODE | SHAFT MATERIAL          | FRAME MATERIAL |
|----------|------|------------|------------|------------|-------------|-------------------------|----------------|
| DE       | ODE  |            |            |            |             |                         |                |
| BALL     | BALL | POLYREX EM | JM         | NONE       | NONE        | 1045 HOT ROLLED (C-204) | CAST IRON      |
| 6311     | 6211 |            |            |            |             |                         |                |

| THERMO-PROTECTORS |            |          |          | THERMISTORS | CONTROL | SPACE HEATERS |
|-------------------|------------|----------|----------|-------------|---------|---------------|
| THERMOSTATS       | PROTECTORS | WDG RTDs | BRG RTDs |             |         |               |
| NONE              | NOT        | NONE     | NONE     | NONE        | FALSE   | NONE VOLTS    |

\*  
N  
O  
T  
E  
S  
\*

|   |
|---|
| <b>INVERTER</b><br>TORQUE: CONSTANT 10:1/VARIABLE 20:1<br>INV. HP SPEED RANGE: NONE |
| <b>ENCODER:</b> NONE<br>NONE NONE<br>NONE NONE PPR                                  |
| <b>BRAKE:</b> NONE NONE<br>NONE P/N NONE<br>NONE NONE<br>NONE FT-LB NONE V NONE Hz  |

**PREPARED BY:** Fareeda Dudekula  
**DATE:** 05/04/2018 05:35:15 AM  
FORM 3531 REV.3 02/07/99  
\*\* Subject to change without notice.

**MARATHON ELECTRIC CORPORATION**

TYPICAL PERFORMANCE CURVE for AC MOTOR

Customer

Curve at

460

Volts

HP 30&25

PHASE 3

Model No 286TTFC6006

60

HZ

VOLTS 230/460&190/380

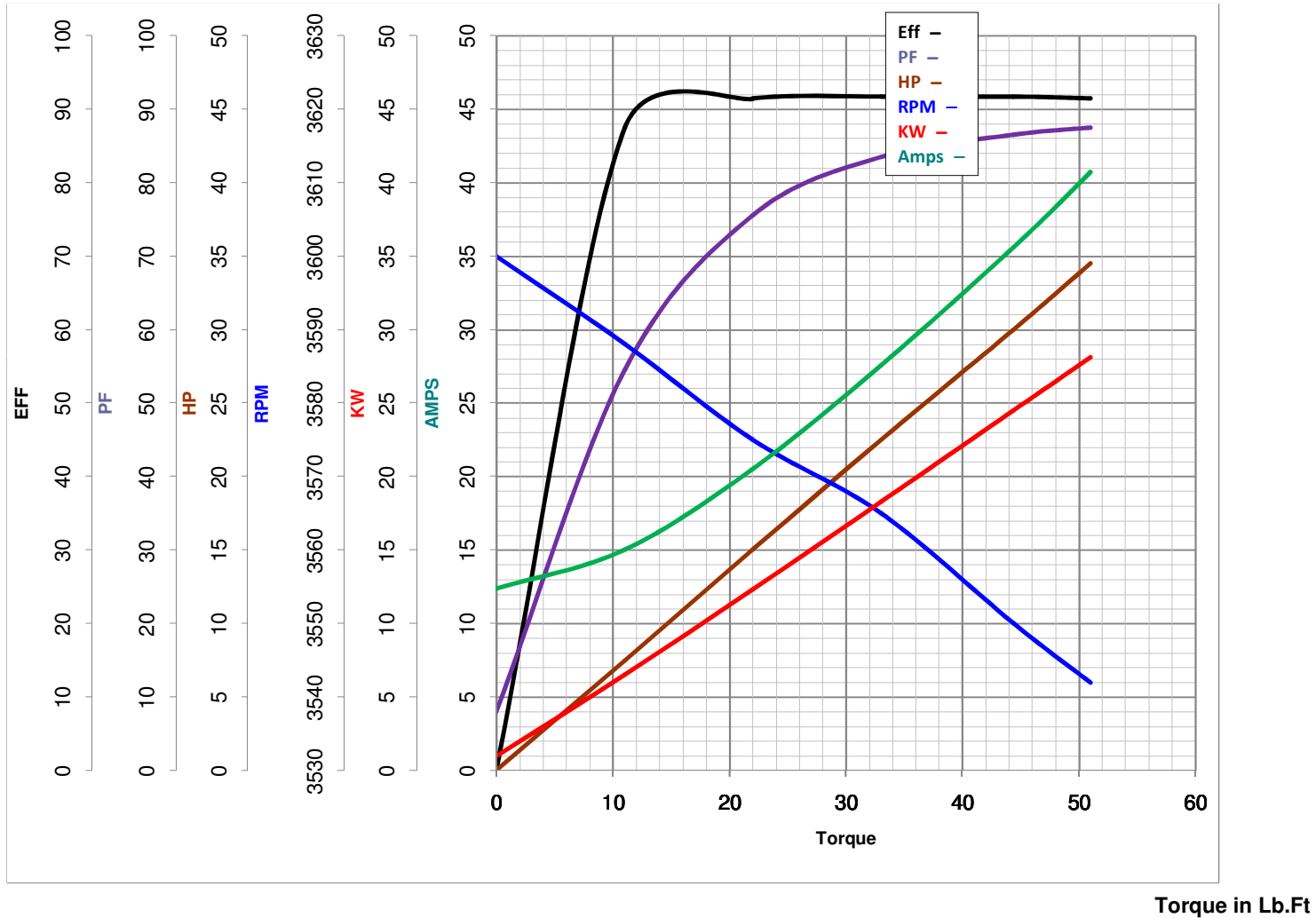
30

HP

Catalog No GT3130A

HZ 60&50

RPM 3550&2950



FL TORQUE 44.4 Lb.Ft  
 BD TORQUE 107.0 Lb.Ft  
 LR TORQUE 77 Lb.Ft

FL AMPS 71/35.5  
 PU TORQUE 65.0 Lb.Ft  
 LR AMPS 210

WINDING HE31802003-2 Prepared By FAREEDA

Date 5/4/2018

## EC Declaration of Conformity

The undersigned representing  
the manufacturer:

Regal Beloit America  
100 East Randolph St.  
Wausau, WI 54401

and the authorized representative  
established within the Community:

Marathon Electric UK  
6F Thistleton Road Ind. Estate  
Market Overton  
Oakham, Rutland LE15 7PP UK

are committed to providing customers with products that comply with applicable regulations and international protocols to which they are subject, including the requirements of the European Parliament Directive on the Harmonization of the laws relating to electrical equipment designed for use within certain voltage limits (2014/35/EU).

Regal Beloit America declares that the following product(s), to which this declaration relates, are in conformity with the relevant sections of the EC standards listed below.

This statement supersedes any statements previously issued pertaining to the product(s) listed below and is subject to change without notice.

Model No : 286TTFCD6006

(Model No. may contain prefix and/or suffix characters)

Catalog No : GT3130A

Rework No : N/A

Directives :

Low Voltage Directive 2014/35/EU

Harmonized Standards Used :

EN 60034-1: 2010 (IEC 60034-1: 2010)

EN 60034-5: 2001/A1:2007 (IEC 60034-5: 2000/A1:2006)

Authorized Representative:



Michael A. Logsdon  
Vice President, Technology

Authorized Representative in the Community:



Julian Clark  
Marketing Engineer

Created on 09/01/2022

**CE 22**