

PRODUCT INFORMATION PACKET

Model No: 286TTFCA6033

Catalog No: GT3231

30 HP Close-Coupled Pump Motor, 3 phase, 1800 RPM, 575 V, 286JM Frame, TEFC
Close-Coupled Pump Motors



Regal and Marathon are trademarks of Regal Rexnord Corporation or one of its affiliated companies.
©2021 Regal Rexnord Corporation, All Rights Reserved. MC017097E

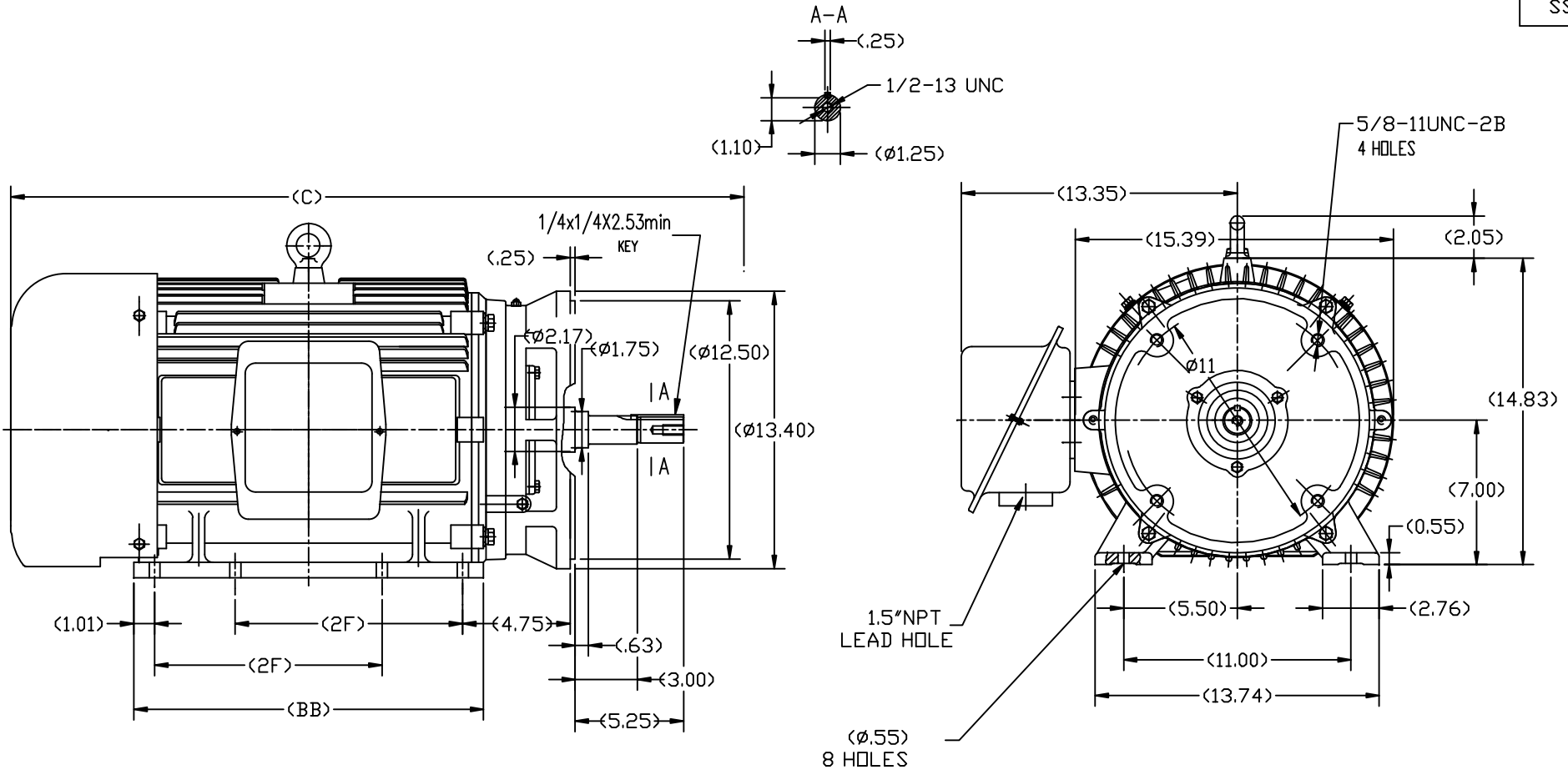
Nameplate Specifications

Output HP	30 Hp	Output KW	22.4 kW
Frequency	60 Hz	Voltage	575 V
Current	29.2 A	Speed	1775 rpm
Service Factor	1.15	Phase	3
Efficiency	93.6 %	Power Factor	82
Duty	Continuous	Insulation Class	F
Design Code	B	KVA Code	G
Frame	286JM	Enclosure	Totally Enclosed Fan Cooled
Thermal Protection	No	Ambient Temperature	40 °C
Drive End Bearing Size	6311	Opp Drive End Bearing Size	6210
UL	Recognized	CSA	Y
CE	Y	IP Code	43
Number of Speeds	1		

Technical Specifications

Electrical Type	Squirrel Cage Inverter Rated	Starting Method	Line Or Inverter
Poles	4	Rotation	Reversible
Resistance Main	.215 Ohms	Mounting	Rigid Base
Motor Orientation	Horizontal	Drive End Bearing	Ball
Opp Drive End Bearing	Ball	Frame Material	Cast Iron
Shaft Type	JM	Overall Length	32.10 in
Frame Length	13.98 in	Shaft Diameter	1.250 in
Shaft Extension	5.25 in	Assembly/Box Mounting	F1/F2 CAPABLE
Inverter Load	VARIABLE 10:1		
Outline Drawing	SS620565-286TC	Connection Drawing	EE7300

This is an uncontrolled document once printed or downloaded and is subject to change without notice. Date Created:10/06/2021



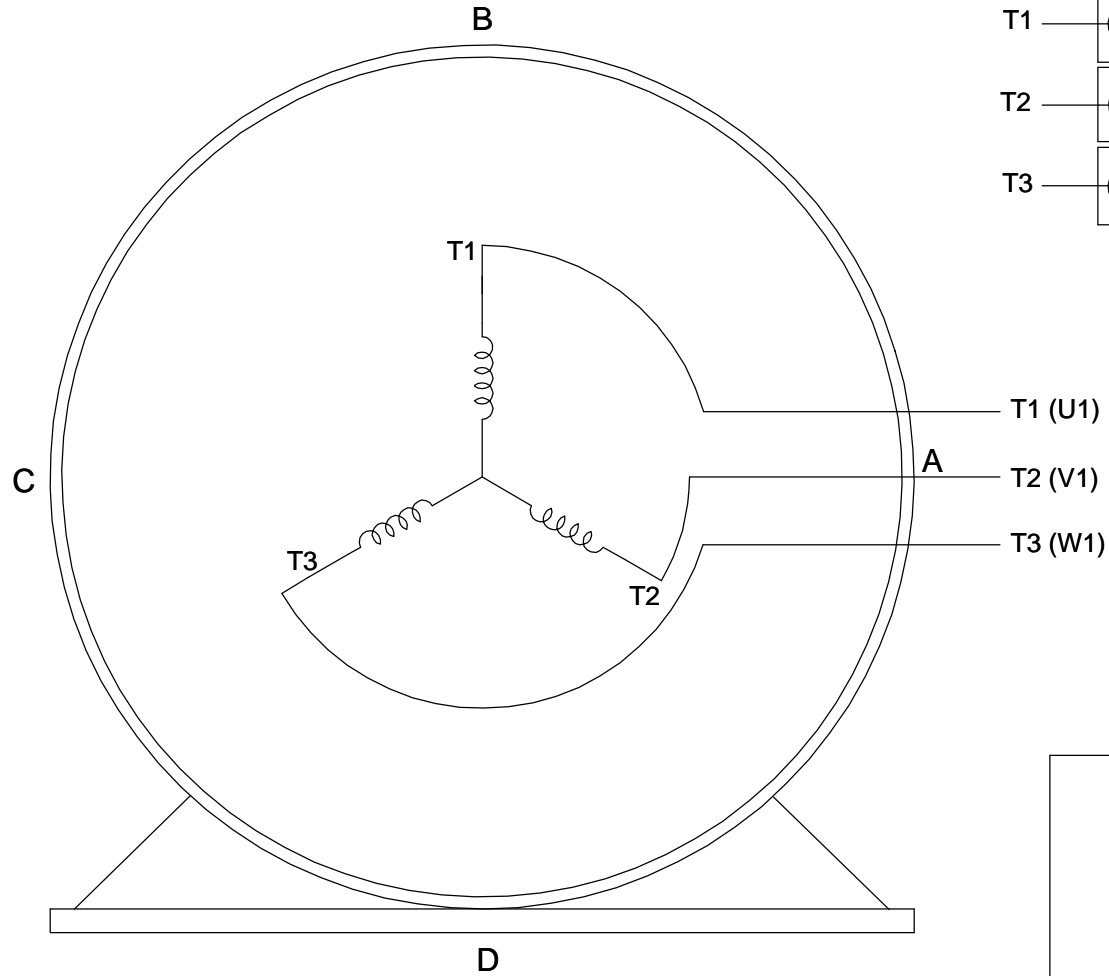
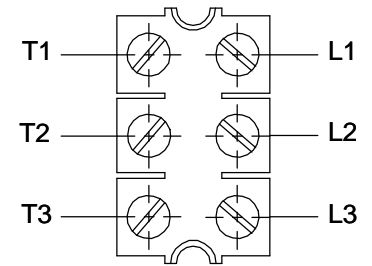
284TC	30.92	15.75	9.50
286TC	32.1	16.93	11.00
FRAME	C	BB	2F

TOLERANCES UNLESS SPECIFIED		REGAL-BELOIT CORPORATION		DRAWN Lee 05-16-2012								
DEC.	INCHES	CHK	HPH	05-16-2012								
.X	$\pm .1$			APPD	JGX 05-16-2012							
.XX	$\pm .03$			SCALE	2=13							
.XXX	$\pm .005$			REF								
.XXXX	$\pm .0005$			FMF	HWADA							
				PREV								
NO.	REVISION	BY & DATE	CHK	ANG	$\pm 1/2$	FINISH	RFP	CAD FILE	SS620565	SIZE	DRAWING NO.	REV.
THIS DRAWING IN DESIGN AND DETAIL IS OUR PROPERTY AND MUST NOT BE USED EXCEPT IN CONNECTION WITH OUR WORK. ALL RIGHTS OF DESIGN AND INVENTION ARE RESERVED. THIS IS AN ELECTRONICALLY GENERATED DOCUMENT - DO NOT SCALE THIS PRINT.										B	SS620565	

**THREE PHASE - SINGLE VOLTAGE
MOTOR - CONDUIT BOX @ 'A'**

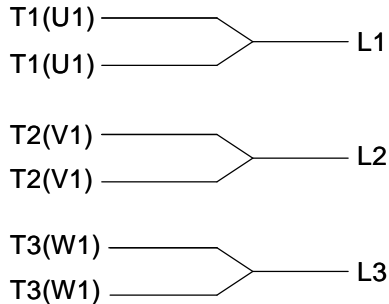
**TO REVERSE ROTATION:
INTERCHANGE ANY TWO
LINE LEAD CONNECTIONS.**

TERMINAL BLOCK WHEN SPECIFIED



VIEW OF TERMINAL END

**IF MOTOR HAS
6 LEADS**

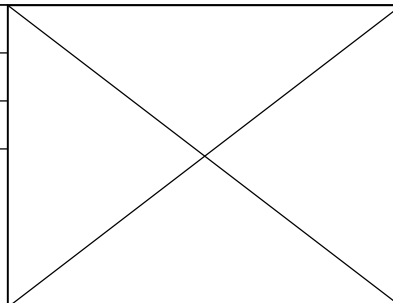


A-9806 DECAL

**OPTIONAL CORD
CONNECTION**

- L1 WHITE
- L2 RED
- L3 BLACK

DRAWING REVISION AB	REVISION BY JJB	DATE 06-27-2017
ECO ECO-0125361	APPROVED BY TB	DATE 06-27-2017
ECO DESCRIPTION UPDATED TO CURRENT STANDARDS		
<small>COPYRIGHT REGAL BELOIT AMERICA, INC. ALL RIGHTS RESERVED. PROPRIETARY AND CONFIDENTIAL INFORMATION - THIS DOCUMENT IS THE PROPERTY OF REGAL BELOIT AMERICA, INC. ("OWNER") AND CONTAINS OWNER'S PROPRIETARY INFORMATION. ANY PERSON, CORPORATION OR OTHER FIRM RECEIVING IT IS DEEMED, BY RECEIVING IT, TO AGREE THAT IT, AND/OR ANY PART OF IT, SHALL NOT BE DISCLOSED TO ANY PERSON, CORPORATION OR OTHER ENTITY, DUPLICATED, AND/OR USED, EXCEPT AS EXPRESSLY APPROVED IN WRITING IN ADVANCE BY OWNER. THIS DOCUMENT SHALL BE RETURNED TO OWNER UPON REQUEST. IT MAY BE SUBJECT TO CERTAIN RESTRICTIONS UNDER APPLICABLE EXPORT CONTROL LAWS AND REGULATIONS.</small>		



DRAWN BY DA
DATE 03-26-1993
APPROVED BY TB
DATE 03-26-1993
REFERENCE
THIRD ANGLE PROJECTION

Regal Beloit America, Inc.	
DESCRIPTION CONNECTION DIAGRAM EXTERNAL - SINGLE VOLTAGE - 3Ø MOTOR	
MATERIAL	PROCESS/FINISH
SIZE A	DRAWING NUMBER EE7300
SHEET 1 OF 1	

Data Sheet

Date: 19-06-2017
Customer: _____
Attention: _____
Submitted by: FAREEDA DUDEKULA



286TFCA6033

Submittal

Data @ 575 V

Motor Load Data

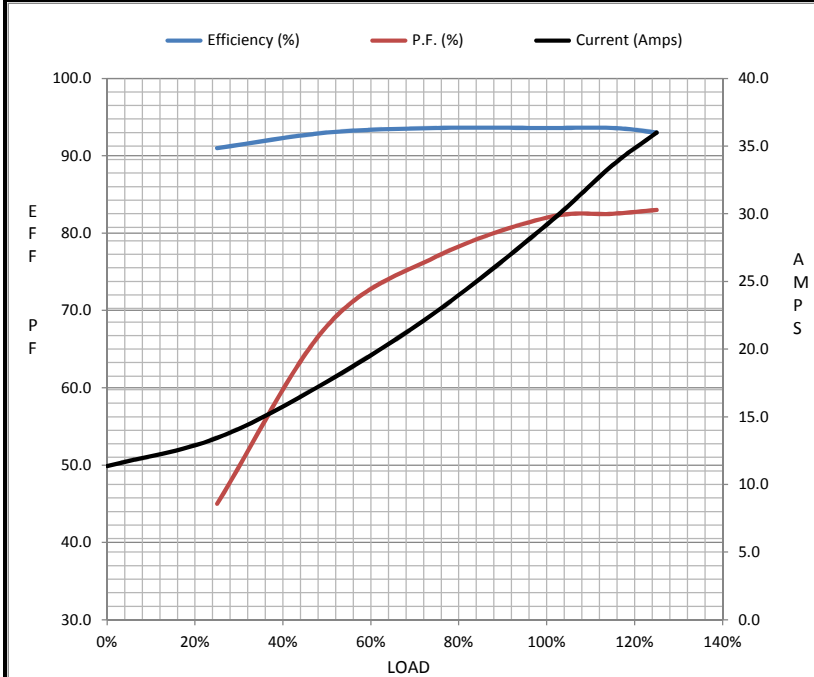
Load	0%	25%	50%	75%	100%	115%	125%	LR
Current (Amps)	11.4	13.4	17.6	22.8	29.2	33.6	36.0	172
Torque (ft-lb)	0.00	22.0	44.0	66.5	88.5	102	112	170
RPM	1800	1795	1790	1782	1775	1,772	1770	0
Efficiency (%)		91.0	93.0	93.6	93.6	93.6	93.0	
P.F. (%)	4.5	45.0	68.0	77.0	82.0	82.5	83.0	38.0

Motor Speed Data

	LR	Pull-Up	BD	Rated	Idle
Speed (RPM)	0	1100	1675	1775	1800
Current (Amps)	172	148	100	29.2	11.4
Torque (ft-lb)	170	160	212	88.5	0.00

Information Block

HP	30.0			
Sync. RPM	1800			
Frame	286			
Enclosure	TEFC			
Construction	TFC			
Voltage	575 V			
Frequency	60 Hz			
Design	B			
LR Code letter	G			
Service Factor	1.15			
Temp Rise @ FL	60 ° C			
Duty	CONT			
Ambient	40 ° C			
Elevation	1,000 feet			
Rotor/Shaft wk ²	5.7 Lb-Ft ²			
Ref Wdg	CHT28640003 NONE			
Sound Pressure @ 1M	68 dBA			
VFD Rating	VARIABLE 10:1			
Outline Dwg	SS620565			
Conn. Diag	EE7300			
Additional Specifications:				
0				
365THFS8036				
EQUIV CKT (OHMS / PHASE)				
R1	R2	X1	X2	Xm
0.2360	0.1620	0.8490	1.6090	29.0880



Speed - Torque Curve

