

PRODUCT INFORMATION PACKET

Model No: 286TTDCA6092

Catalog No: GT0526

20 HP Close-Coupled Pump Motor, 3 phase, 1200 RPM, 575 V, 286JMV Frame, ODP
Close-Coupled Pump Motors

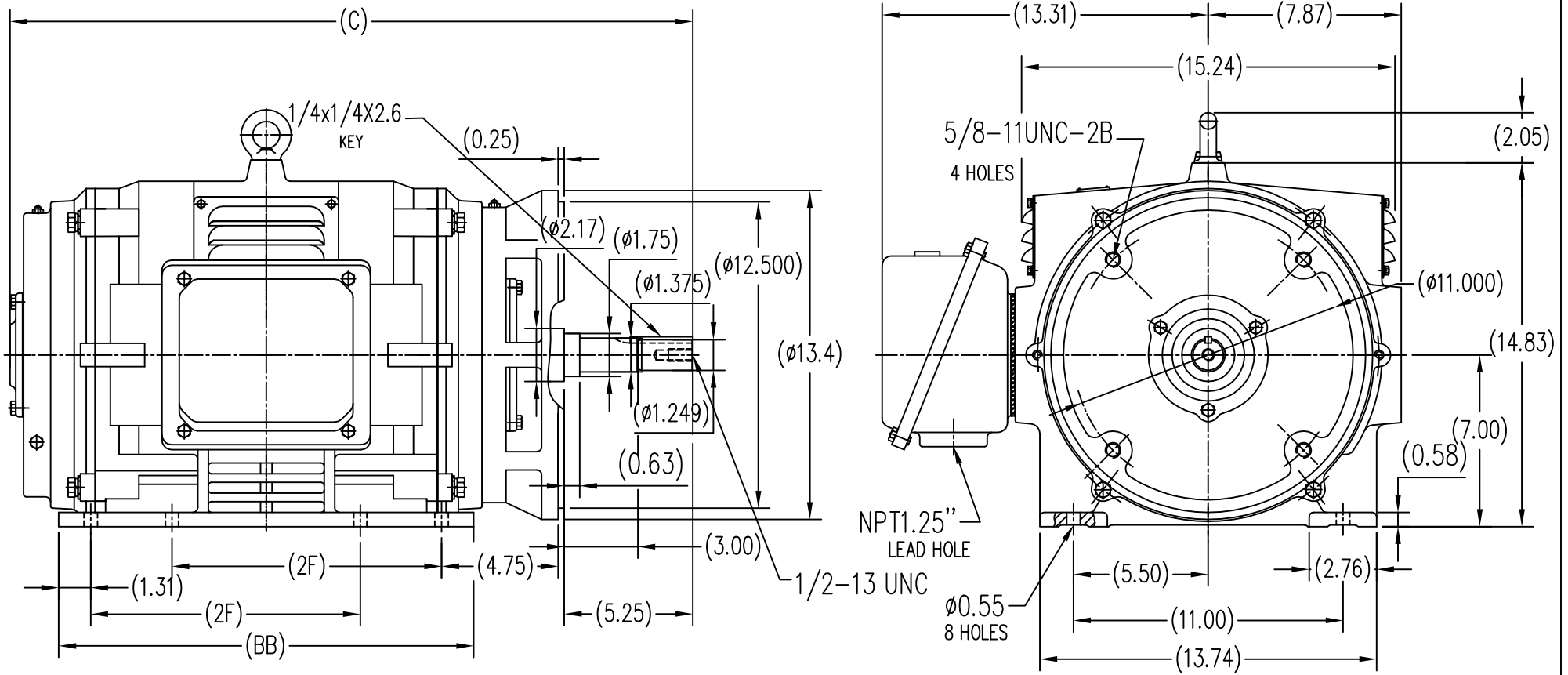


Nameplate Specifications


Output HP	20 Hp	Output KW	14.9 kW
Frequency	60 Hz	Voltage	575 V
Current	21.6 A	Speed	1182 rpm
Service Factor	1.15	Phase	3
Efficiency	92.4 %	Power Factor	75
Duty	Continuous	Insulation Class	F
Design Code	B	KVA Code	F
Frame	286JMV	Enclosure	Drip Proof
Thermal Protection	No	Ambient Temperature	40 °C
Drive End Bearing Size	6311	Opp Drive End Bearing Size	6210
UL	Recognized	CSA	Y
CE	Y	IP Code	12
Number of Speeds	1		

Technical Specifications

Electrical Type	Squirrel Cage Inverter Rated	Starting Method	Line Or Inverter
Poles	6	Rotation	Reversible
Resistance Main	.5005 Ohms	Mounting	Rigid Base
Motor Orientation	Horizontal Or Shaft Down	Drive End Bearing	Ball
Opp Drive End Bearing	Ball	Frame Material	Cast Iron
Shaft Type	JM	Overall Length	27.09 in
Shaft Diameter	1.250 in	Shaft Extension	5.25 in
Assembly/Box Mounting	F1/F2 CAPABLE	Inverter Load	VARIABLE 10:1
Connection Drawing	EE7300	Outline Drawing	SS620314-286T



284T	9.50	15.55	26.58
286T	11.00	16.93	27.09
FRAME	2F	BB	C

		TOLERANCES UNLESS SPECIFIED		 REGAL-BELOIT CORPORATION		DRAWN	ZYH 6-8-2010
DEC.	INCHES	.XX	±.1			CHK	HZJ 6-8-2010
		.XXX	±.005	APPD	ZYH 6-8-2010	TITLE	OUTLINE
		.XXXX	±.0005	REF		SCALE	1=6
				MAT'L.		REF	
ND.	REVISION	BY & DATE	CHK	ANG	±1/2	FINISH	
			RFP			CAD FILE	JM 284-286
THIS DRAWING IN DESIGN AND DETAIL IS OUR PROPERTY AND MUST NOT BE USED EXCEPT IN CONNECTION WITH OUR WORK. ALL RIGHTS OF DESIGN AND INVENTION ARE RESERVED. THIS IS AN ELECTRONICALLY GENERATED DOCUMENT - DO NOT SCALE THIS PRINT.						SIZE	DRAWING NO.
			DIST			B	SS620314
						REV.	

**THREE PHASE - SINGLE VOLTAGE
MOTOR - CONDUIT BOX @ 'A'**

**TO REVERSE ROTATION:
INTERCHANGE ANY TWO
LINE LEAD CONNECTIONS.**

TERMINAL BLOCK WHEN SPECIFIED



VIEW OF TERMINAL END

**IF MOTOR HAS
6 LEADS**



A-9806 DECAL

**OPTIONAL CORD
CONNECTION**

- L1 _____ WHITE _____
- L2 _____ RED _____
- L3 _____ BLACK _____

DRAWING REVISION AB	REVISION BY JJB	DATE 06-27-2017
ECO ECO-0125361	APPROVED BY TB	DATE 06-27-2017
ECO DESCRIPTION UPDATED TO CURRENT STANDARDS		
<small>COPYRIGHT REGAL BELOIT AMERICA, INC. ALL RIGHTS RESERVED. PROPRIETARY AND CONFIDENTIAL INFORMATION - THIS DOCUMENT IS THE PROPERTY OF REGAL BELOIT AMERICA, INC. ("OWNER") AND CONTAINS OWNER'S PROPRIETARY INFORMATION. ANY PERSON, CORPORATION OR OTHER FIRM RECEIVING IT IS DEEMED, BY RECEIVING IT, TO AGREE THAT IT, AND/OR ANY PART OF IT, SHALL NOT BE DISCLOSED TO ANY PERSON, CORPORATION OR OTHER ENTITY, DUPLICATED, AND/OR USED, EXCEPT AS EXPRESSLY APPROVED IN WRITING IN ADVANCE BY OWNER. THIS DOCUMENT SHALL BE RETURNED TO OWNER UPON REQUEST. IT MAY BE SUBJECT TO CERTAIN RESTRICTIONS UNDER APPLICABLE EXPORT CONTROL LAWS AND REGULATIONS.</small>		



DRAWN BY DA
DATE 03-26-1993
APPROVED BY TB
DATE 03-26-1993
REFERENCE
THIRD ANGLE PROJECTION

Regal Beloit America, Inc.	
MATERIAL	PROCESS/FINISH
SIZE A	DRAWING NUMBER EE7300
SHEET 1 OF 1	

CERTIFICATION DATA SHEET

Model#: 286TTDCA6092 AA WINDING#: CHT28660003 NONE 3
 CONN. DIAGRAM: EE7300 ASSEMBLY: F1/F2 CAPABLE
 OUTLINE: SS620314

TYPICAL MOTOR PERFORMANCE DATA

HP	KW	SYNC. RPM	F.L. RPM	FRAME	ENCLOSURE	KVA CODE	DESIGN		
20	14.9	1200	1182	286JMV	DP	F	B		
PH	Hz	VOLTS	FL AMPS	START TYPE	DUTY	INSL	S.F	AMB°C	ELEVATION
3	60	575	21.6	LINE OR INVERTER	CONTINUOUS	F7	1.15	40	3300
FULL LOAD EFF: 92.4		3/4 LOAD EFF: 92.4		1/2 LOAD EFF: 91.7		GTD. EFF		ELEC. TYPE	
FULL LOAD PF: 75		3/4 LOAD PF: 70		1/2 LOAD PF: 59		91		SQ CAGE INV RATED	
F.L. TORQUE		LOCKED ROTOR AMPS		L.R. TORQUE		B.D. TORQUE		F.L. RISE°C	
89 LB-FT		104		148 LB-FT 165		240 LB-FT 270		45	
SOUND PRESSURE @ 3 FT.		SOUND POWER		ROTOR WK^2		MAX. WK^2		SAFE STALL TIME	
65 dBA		75 dBA		5.5 LB-FT^2		- LB-FT^2		- SEC.	
								STARTS / HOUR	
								2	
								APPROX. MOTOR WGT	
								420 LBS.	

*** SUPPLEMENTAL INFORMATION ***

DE BRACKET TYPE	ODE BRACKET TYPE	MOUNT TYPE	ORIENTATION	SEVERE DUTY	HAZARDOUS LOCATION	DRIP COVER	SCREENS	PAIN
C-FACE	STANDARD	RIGID	HORIZONTAL OR SHAFT DOWN	FALSE	NONE	FALSE	NONE	BLUE (ENAMEL)
BEARINGS		GREASE	SHAFT TYPE	SPECIAL DE	SPECIAL ODE	SHAFT MATERIAL	FRAME MATERIAL	
DE	OPE							
BALL	BALL							
6311	6210	POLYREX EM	JM	NONE	NONE	1045 HOT ROLLED (C-204)	CAST IRON	
THERMO-PROTECTORS				THERMISTORS		CONTROL		SPACE /n HEATERS
THERMOSTATS		PROTECTORS		WDG RTDs		BRG RTDs		
NONE		NOT		NONE		NONE		NONE VOLTS

If Inverter equals NONE, contact factory for further information

INVERTER TORQUE: VARIABLE 10:1
INV. HP SPEED RANGE: NONE
ENCODER: NONE
NONE NONE
NONE NONE PPR
BRAKE: NONE NONE
NONE P/N NONE
NONE NONE
NONE FT-LB NONE V NONE Hz

*
N
O
T
E
S
*

DATE: 06/27/2017 03:29:15 AM
 FORM 3531 REV.3 02/07/99
 ** Subject to change without notice.

Data Sheet

Date: 6/29/2017

286TTDCA6092

Customer: _____

Attention: _____

Submitted by: FAREEDA DUDEKULA



Submittal

Data @ 575 V

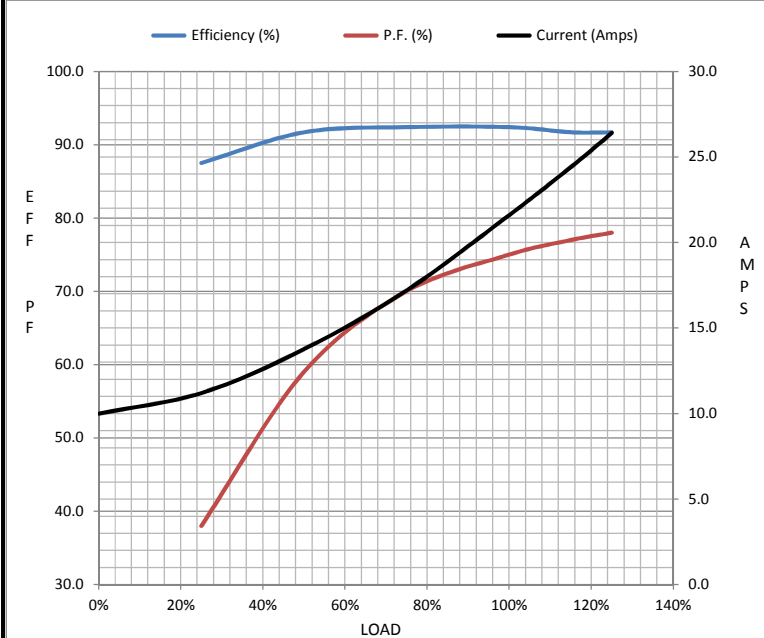
Motor Load Data

Load	0%	25%	50%	75%	100%	115%	125%	LR
Current (Amps)	10.0	11.2	13.8	17.2	21.6	24.4	26.4	104
Torque (ft-lb)	0.00	22.0	44.0	66.4	89.0	102	112	148
RPM	1200	1195	1192	1188	1182	1,180	1178	0
Efficiency (%)		87.5	91.7	92.4	92.4	91.7	91.7	
P.F. (%)	4.5	38.0	59.0	70.0	75.0	77.0	78.0	38.0

Motor Speed Data

	LR	Pull-Up	BD	Rated	Idle
Speed (RPM)	0	600	1100	1182	1200
Current (Amps)	104	88.0	72.0	21.6	10.0
Torque (ft-lb)	148	120	240	89.0	0.00

Information Block				
HP	20.0			
Sync. RPM	1200			
Frame	286			
Enclosure	DP			
Construction	TDC			
Voltage	575 V			
Frequency	60 Hz			
Design	B			
LR Code letter	F			
Service Factor	1.15			
Temp Rise @ FL	45 °C			
Duty	CONT			
Ambient	40 °C			
Elevation	1,000 feet			
Rotor/Shaft wk ²	5.5 Lb-Ft ²			
Ref Wdg	CHT28660003 NONE			
Sound Pressure @ 1M	65 dBA			
VFD Rating	VARIABLE 10:1			
Outline Dwg	SS620314			
Conn. Diag	EE7300			
Additional Specifications:				
0				
0				
EQUIV CKT (OHMS / PHASE)				
R1	R2	X1	X2	Xm
0.4870	0.2550	1.4180	2.9910	32.5250



Speed -Torque Curve

