

PRODUCT INFORMATION PACKET

Model No: 286TTDBD7251

Catalog No: Y473A

Multispeed Motor, 20 & 5 HP, 3 Ph, 60 & 60 Hz, 460 & 460 V, 1800 & 1800 RPM, 286T Frame, DP



Regal and Marathon are trademarks of Regal Rexnord Corporation or one of its affiliated companies.

©2023 Regal Rexnord Corporation, All Rights Reserved. MC017097E

Nameplate Specifications

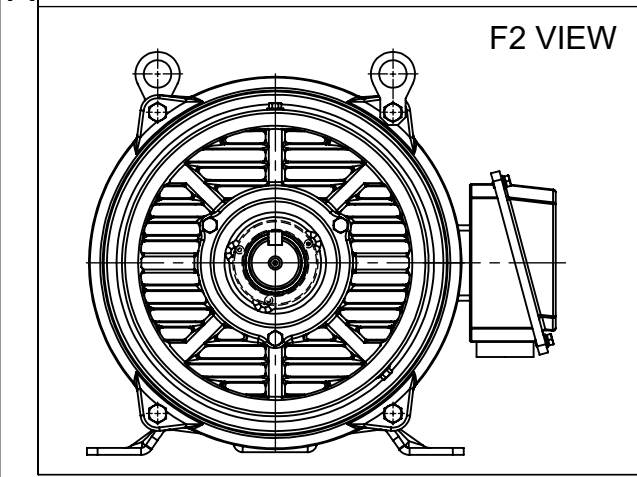
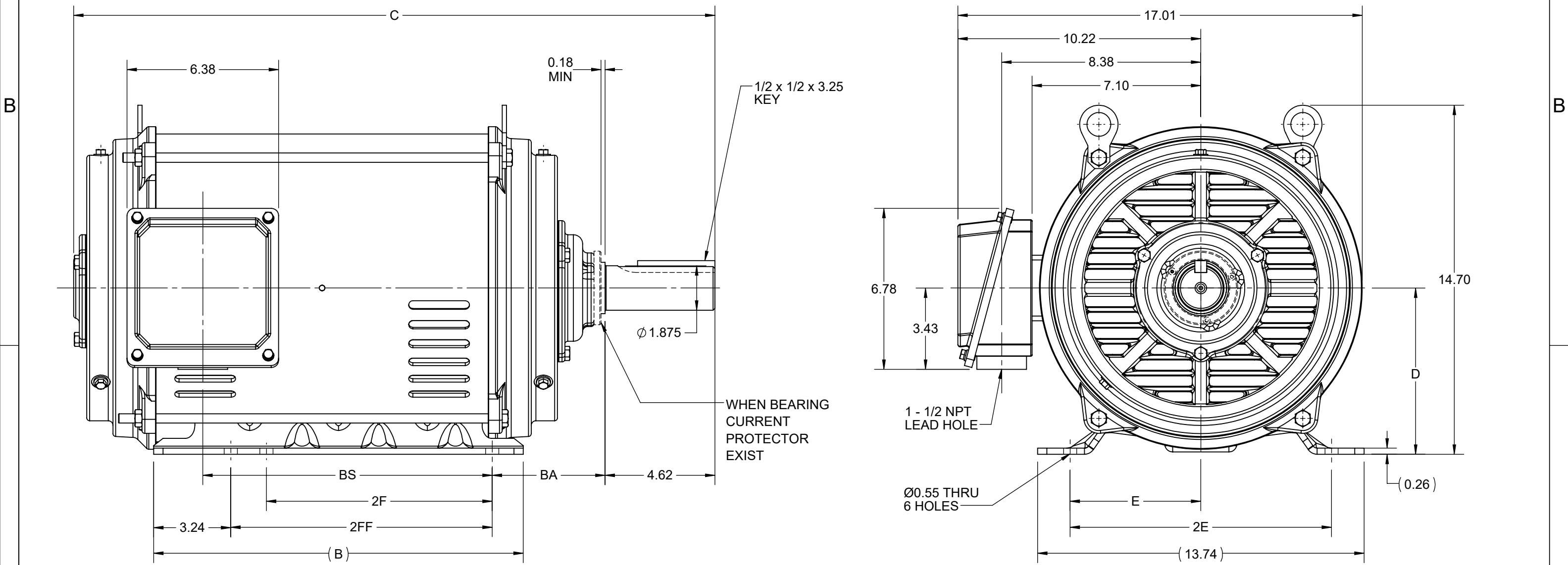
Phase	3	Output HP	20 & 5 Hp
Output KW	14.9 & 3.7 kW	Voltage	460 & 460 V
Speed	1775 & 885 rpm	Service Factor	1.15 & 1.15
Frame	286T	Enclosure	Drip Proof
Thermal Protection	No Protection	Efficiency	90.2 & 82.5 %
Ambient Temperature	40 °C	Frequency	60 & 60 Hz
Current	24 & 9 A	Power Factor	84
Duty	Continuous	Insulation Class	F
Design Code	2VT	KVA Code	H
Drive End Bearing Size	6311	Opp Drive End Bearing Size	6210
UL	Recognized	CSA	Y
CE	Y	IP Code	22
Number of Speeds	2		

Technical Specifications

Electrical Type	Squirrel Cage Induction Run	Starting Method	Across The Line
Poles	4//8	Rotation	Reversible
Resistance Main	.604 Ohms	Mounting	Rigid Base
Motor Orientation	Horizontal	Drive End Bearing	Ball
Opp Drive End Bearing	Ball	Frame Material	Rolled Steel
Shaft Type	T	Shaft Diameter	1.875 in
Assembly/Box Mounting	F1/F2 CAPABLE		
Outline Drawing	SS620687-200	Connection Drawing	EE7317

This is an uncontrolled document once printed or downloaded and is subject to change without notice. Date Created:06/23/2023

4				3				2		1	
DASH NO.	B	C	D	E	2E	2F	2FF	BA	BS	MOUNTING	FRAME
100	15.55	25.60	7.00	5.50	11.00	9.50	11.00	4.75	10.80	F1 OR F2	284T
200		26.98							12.18		286T

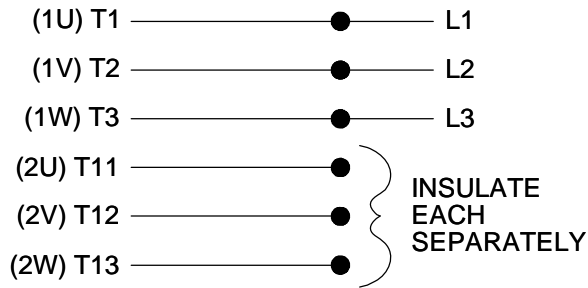


DRAWING REVISION E	REVISION BY GOPI J	REV DATE/© DATE 01/02/2022
REQUEST NUMBER CR-0006669	APPROVED BY SBD	DATE 01/02/2022
REQUEST NUMBER DESCRIPTION VIEWS UPDATED AS PER 3D		
<small>COPYRIGHT (PER REVISION DATE) REGAL BELOIT AMERICA, INC. ALL RIGHTS RESERVED. PROPRIETARY AND CONFIDENTIAL INFORMATION - THIS DOCUMENT IS THE PROPERTY OF REGAL BELOIT AMERICA, INC. ("OWNER") AND CONTAINS OWNER'S PROPRIETARY INFORMATION. ANY PERSON, CORPORATION OR OTHER FIRM RECEIVING IT IS DEEMED, BY RECEIVING IT, TO AGREE THAT IT, AND/OR ANY PART OF IT, SHALL NOT BE DISCLOSED TO ANY PERSON, CORPORATION OR OTHER ENTITY, DUPLICATED, AND/OR USED, EXCEPT AS EXPRESSLY APPROVED IN WRITING IN ADVANCE BY OWNER. THIS DOCUMENT SHALL BE RETURNED TO OWNER UPON REQUEST. IT MAY BE SUBJECT TO CERTAIN RESTRICTIONS UNDER APPLICABLE EXPORT CONTROL LAWS AND REGULATIONS.</small>		

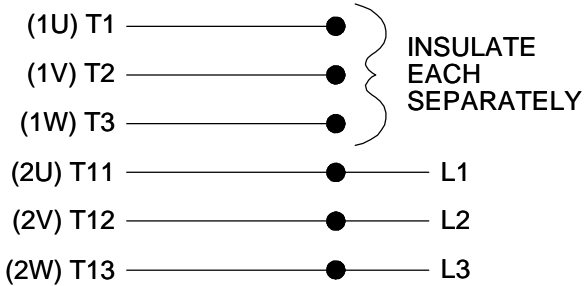
PRIMARY DIMENSIONS ARE INCH
mm DIMENSIONS IN [BRACKETS]
ARE FOR REFERENCE ONLY

DRAWN BY XZ	Regal Rexnord Regal Beloit America, Inc.	
DATE 17/04/2017	DESCRIPTION	
APPROVED BY	OUTLINE	
DATE	284/286T FR NEMA ODP RS	
REFERENCE	MATERIAL	PROCESS/FINISH
THIRD ANGLE PROJECTION	SIZE B	DRAWING NUMBER SS620687
		SHEET 1 OF 1

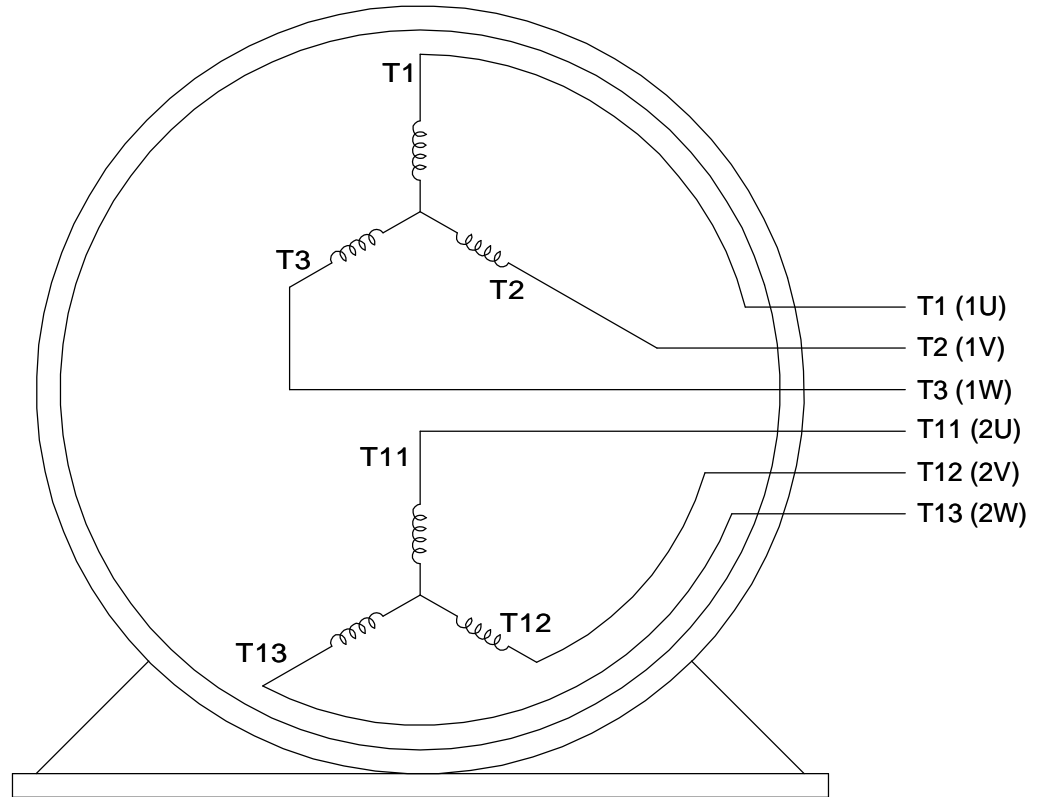
LOW SPEED



HIGHSPEED



**THREE PHASE, SINGLE VOLT, 6 LEAD
2 SPEED REVERSIBLE MOTOR**



VIEW OF TERMINAL END

TO REVERSE ROTATION ON
EITHER SPEED: INTERCHANGE
ANY 2 LEADS ON THE
WINDING IN USE.

DRAWING REVISION C	REVISION BY JJB	DATE 10-25-2017
ECO ECO-0132917	APPROVED BY TLB	DATE 10-30-2017

ECO DESCRIPTION
REVISED PER ECO & UPDATED TO STANDARDS
COPYRIGHT REGAL BELOIT AMERICA, INC. ALL RIGHTS RESERVED.
 PROPRIETARY AND CONFIDENTIAL INFORMATION - THIS DOCUMENT IS THE PROPERTY OF
 REGAL BELOIT AMERICA, INC. ("OWNER") AND CONTAINS OWNER'S PROPRIETARY
 INFORMATION. ANY PERSON, CORPORATION OR OTHER FIRM RECEIVING IT IS DEEMED,
 BY RECEIVING IT, TO AGREE THAT IT, AND/OR ANY PART OF IT, SHALL NOT BE DISCLOSED
 TO ANY PERSON, CORPORATION OR OTHER ENTITY, DUPLICATED, AND/OR USED, EXCEPT
 AS EXPRESSLY APPROVED IN WRITING IN ADVANCE BY OWNER. THIS DOCUMENT SHALL
 BE RETURNED TO OWNER UPON REQUEST. IT MAY BE SUBJECT TO CERTAIN
 RESTRICTIONS UNDER APPLICABLE EXPORT CONTROL LAWS AND REGULATIONS.

DRAWN BY LZ	
DATE 01-05-1994	
APPROVED BY GK	
DATE 01-17-1994	
REFERENCE	

REGAL™ Regal Beloit America, Inc.

DESCRIPTION
CONN DIAGRAM-INTERNAL
3 PHASE - SINGLE - 2 SPEED REVERSIBLE

MATERIAL PROCESS/FINISH

SIZE A	DRAWING NUMBER EE7317	SHEET 1 OF 1
------------------	---------------------------------	------------------------

Data Sheet

Date: 12/15/2021
 Customer: _____
 Attention: _____
 Submitted by: SHERYL KUEHMICHEL



286TTDBD7251

Submittal

Data @ 460 V

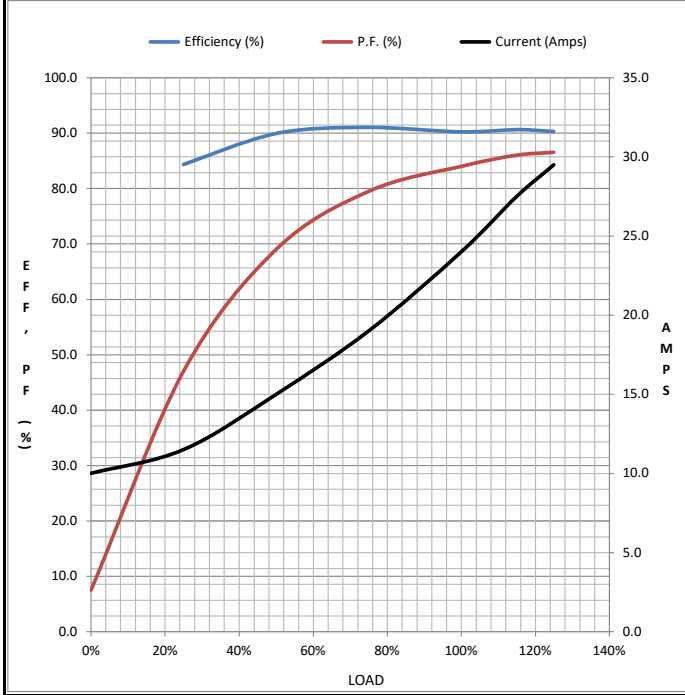
Motor Load Data

Load	0%	25%	50%	75%	100%	115%	125%	LR
Current (Amps)	10.0	11.5	15.0	19.0	24.0	27.5	29.5	160
Torque(ft-lb)	0.00	14.5	29.0	44.0	59.0	67.9	74.0	102
RPM	1800	1795	1790	1785	1775	1,775	1770	0
Efficiency (%)		84.3	89.9	91.0	90.2	90.6	90.3	
P.F. (%)	7.5	47.0	69.0	79.5	84.0	86.0	86.5	41.5

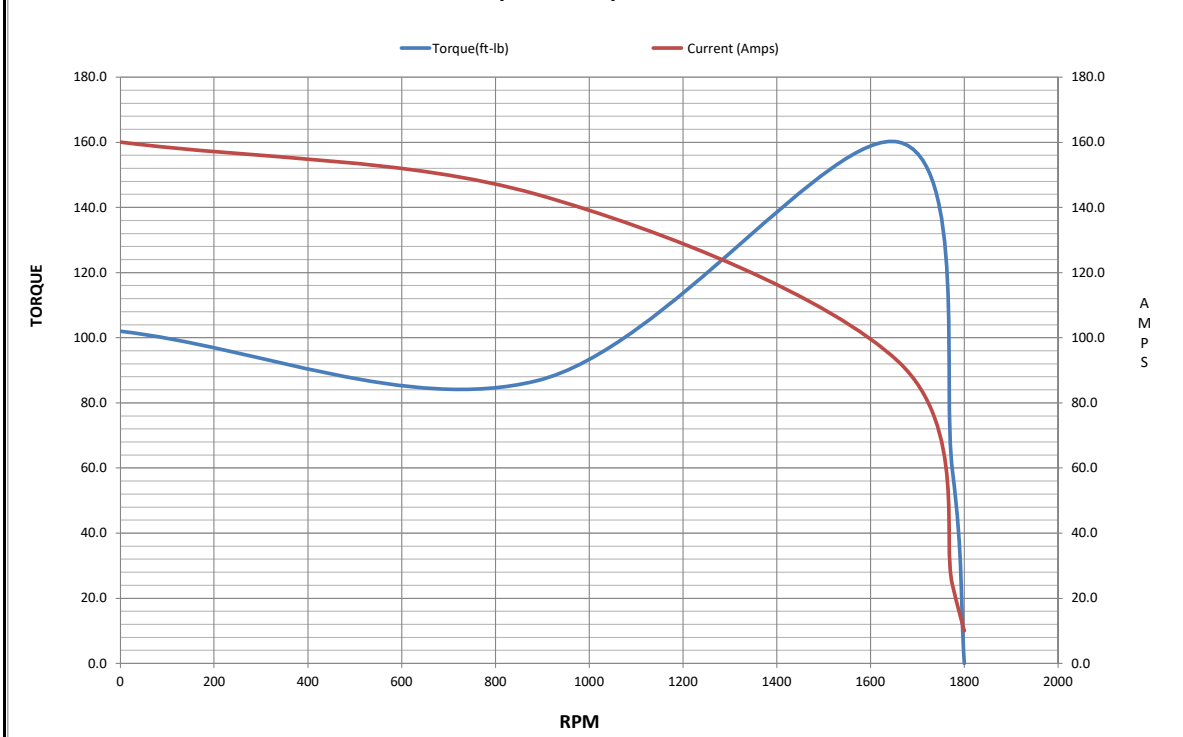
Motor Speed Data

	LR	Pull-Up	BD	Rated	Idle
Speed (RPM)	0	888	1660	1775	1800
Current (Amps)	160	144	92.5	24.0	10.0
Torque(ft-lb)	102	86.7	160	59.0	0.00

Information Block				
HP	20.0			
Sync. RPM	1800			
Frame	286T			
Enclosure	DP			
Construction	TDR			
Voltage	460 V			
Frequency	60 Hz			
Design	2VT			
LR Code letter	H			
Service Factor	1.15			
Temp Rise @ FL	80 °C			
Duty	CONT			
Ambient	40 °C			
Elevation	3,300 feet			
Rotor/Shaft wk ²	0.00 Lb-Ft ²			
Ref Wdg	HA3180(4-8)18 HS			
Sound Pressure @ 1M	70 dBA			
VFD Rating	NA			
Outline Dwg	SS620687-200			
Conn. Diag	EE7317			
Additional Specifications:				
CATALOG # Y473A				
HIGH SPEED PERFORMANCE				
0				
0				
EQUIV CKT (OHMS / PHASE)				
R1	R2	X1	X2	Xm
0.3772	0.1361	0.9869	1.0748	25.1837



Speed - Torque Curve



Data Sheet

Date: 12/15/2021
 Customer: _____
 Attention: _____
 Submitted by: SHERYL KUEHMICHEL



286TTDBD7251

Submittal

Data @ 460 V

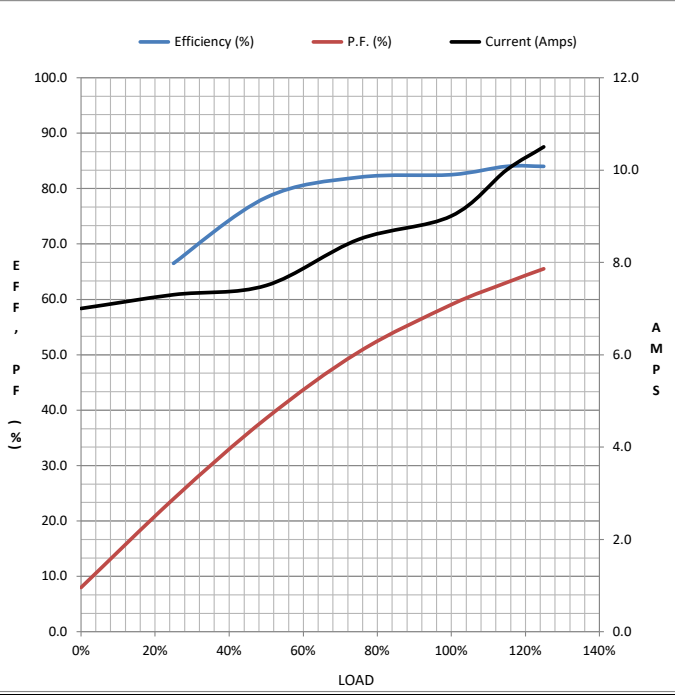
Motor Load Data

Load	0%	25%	50%	75%	100%	115%	125%	LR
Current (Amps)	7.0	7.3	7.5	8.5	9.0	10.0	10.5	37.0
Torque(ft-lb)	0.00	7.5	14.5	22.0	29.5	33.9	37.0	44.0
RPM	900	895	890	890	885	885	880	0
Efficiency (%)		66.5	78.4	82.0	82.5	84.0	84.0	
P.F. (%)	8.0	24.0	38.5	50.5	59.0	63.0	65.5	40.5

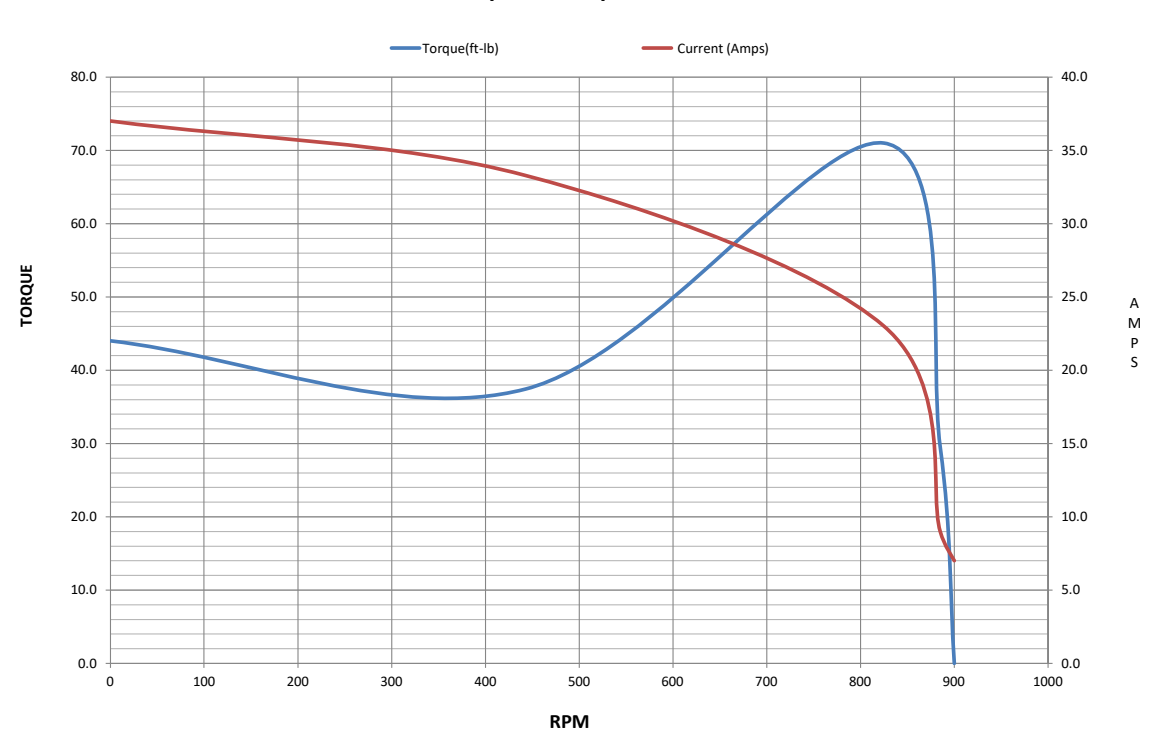
Motor Speed Data

	LR	Pull-Up	BD	Rated	Idle
Speed (RPM)	0	443	825	885	900
Current (Amps)	37.0	33.3	23.0	9.0	7.0
Torque(ft-lb)	44.0	37.4	71.0	29.5	0.00

Information Block				
HP	5.0			
Sync. RPM	900			
Frame	286T			
Enclosure	DP			
Construction	TDR			
Voltage	460 V			
Frequency	60 Hz			
Design	2VT			
LR Code letter	G			
Service Factor	1.15			
Temp Rise @ FL	75 °C			
Duty	CONT			
Ambient	40 °C			
Elevation	3,300 feet			
Rotor/Shaft wk ²	0.00 Lb-Ft ²			
Ref Wdg	HA3180(4-8)18 HS			
Sound Pressure @ 1M	65 dBA			
VFD Rating	NA			
Outline Dwg	SS620687-200			
Conn. Diag	EE7317			
Additional Specifications:				
CATALOG # Y473A				
LOW SPEED PERFORMANCE				
0				
0				
EQUIV CKT (OHMS / PHASE)				
R1	R2	X1	X2	Xm
1.7013	0.6352	2.6427	5.5462	34.5931



Speed - Torque Curve



EC Declaration of Conformity

The undersigned representing
the manufacturer:

Regal Beloit America
100 East Randolph St.
Wausau, WI 54401

and the authorized representative
established within the Community:

Marathon Electric UK
6F Thistleton Road Ind. Estate
Market Overton
Oakham, Rutland LE15 7PP UK

are committed to providing customers with products that comply with applicable regulations and international protocols to which they are subject, including the requirements of the European Parliament Directive on the Harmonization of the laws relating to electrical equipment designed for use within certain voltage limits (2014/35/EU).

Regal Beloit America declares that the following product(s), to which this declaration relates, are in conformity with the relevant sections of the EC standards listed below.

This statement supersedes any statements previously issued pertaining to the product(s) listed below and is subject to change without notice.

Model No : 286TTDBD7251

(Model No. may contain prefix and/or suffix characters)

Catalog No : Y473A

Rework No : N/A

Directives :

Low Voltage Directive 2014/35/EU

Harmonized Standards Used :

EN 60034-1: 2010 (IEC 60034-1: 2010)

EN 60034-5: 2001/A1:2007 (IEC 60034-5: 2000/A1:2006)

Authorized Representative:



Michael A. Logsdon
Vice President, Technology

Authorized Representative in the Community:



Julian Clark
Marketing Engineer

Created on 09/01/2022

CE 22