

# PRODUCT INFORMATION PACKET

Model No: 286TTDBD7217

Catalog No: Y460A

Multispeed Motor, 20 & 8.89 HP, 3 Ph, 60 & 60 Hz, 460 & 460 V, 1800 & 1800 RPM, 286T Frame, DP



Regal and Marathon are trademarks of Regal Rexnord Corporation or one of its affiliated companies.

©2023 Regal Rexnord Corporation, All Rights Reserved. MC017097E



**Nameplate Specifications**

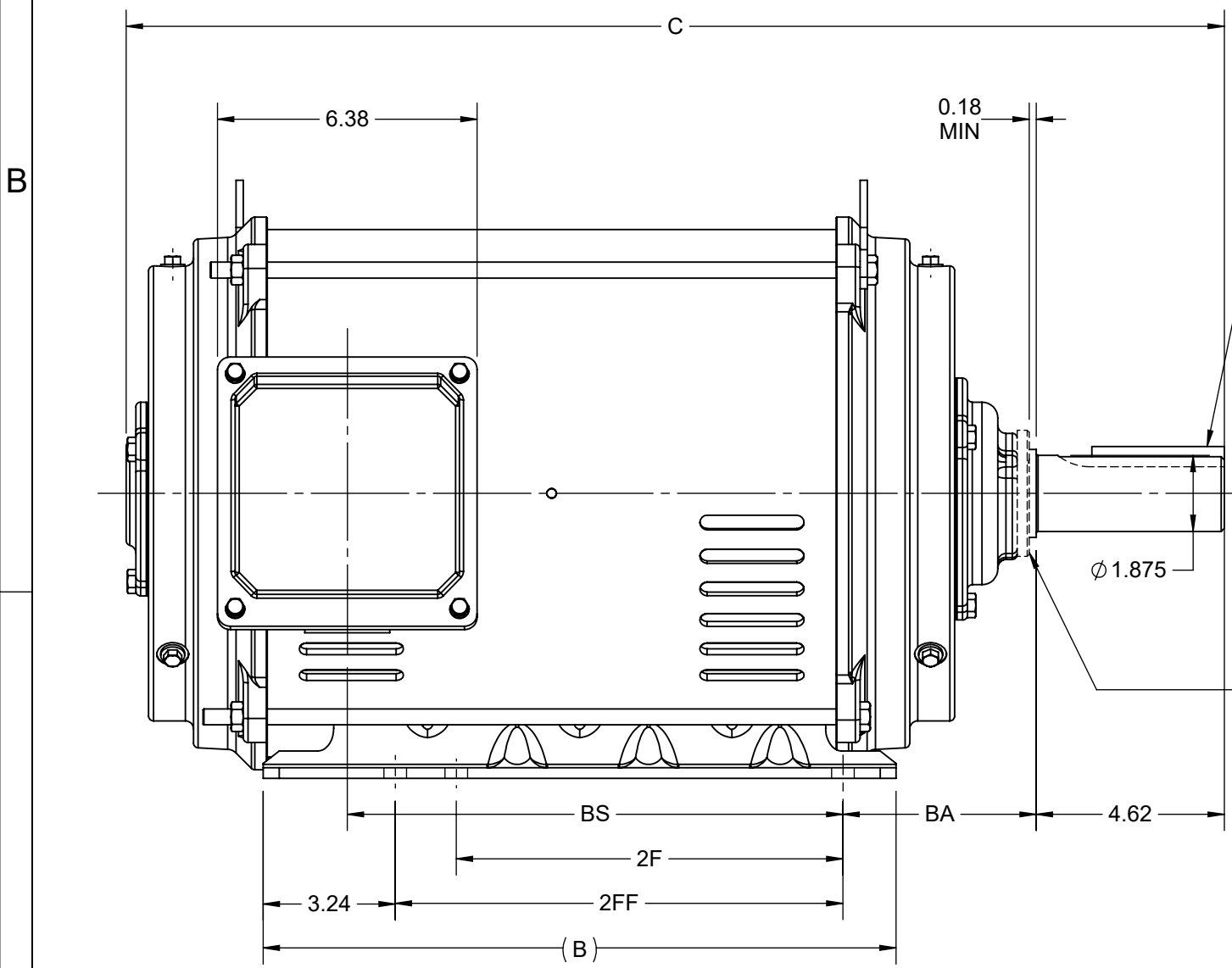
Phase	<b>3</b>	Output HP	<b>20 &amp; 8.89 Hp</b>
Output KW	<b>14.9 &amp; 6.6 kW</b>	Voltage	<b>460 &amp; 460 V</b>
Speed	<b>1775 &amp; 1180 rpm</b>	Service Factor	<b>1.15 &amp; 1.15</b>
Frame	<b>286T</b>	Enclosure	<b>Drip Proof</b>
Thermal Protection	<b>No Protection</b>	Efficiency	<b>90.2 &amp; 86.5 %</b>
Ambient Temperature	<b>40 °C</b>	Frequency	<b>60 &amp; 60 Hz</b>
Current	<b>24 &amp; 12 A</b>	Power Factor	<b>84</b>
Duty	<b>Continuous</b>	Insulation Class	<b>F</b>
Design Code	<b>2VT</b>	KVA Code	<b>H</b>
Drive End Bearing Size	<b>6311</b>	Opp Drive End Bearing Size	<b>6210</b>
UL	<b>Recognized</b>	CSA	<b>Y</b>
CE	<b>Y</b>	IP Code	<b>22</b>
Number of Speeds	<b>2</b>		

**Technical Specifications**

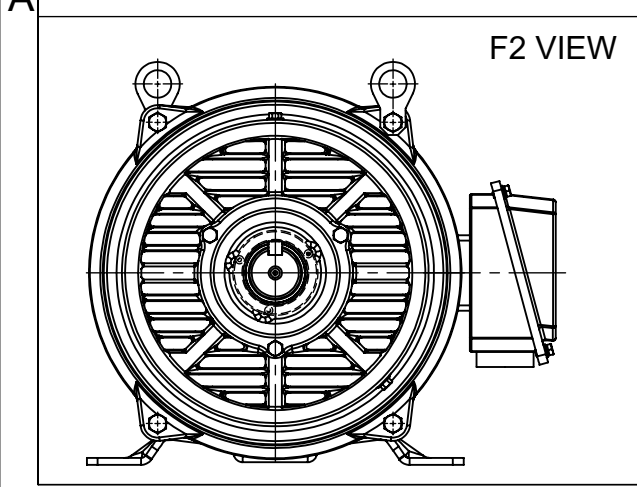
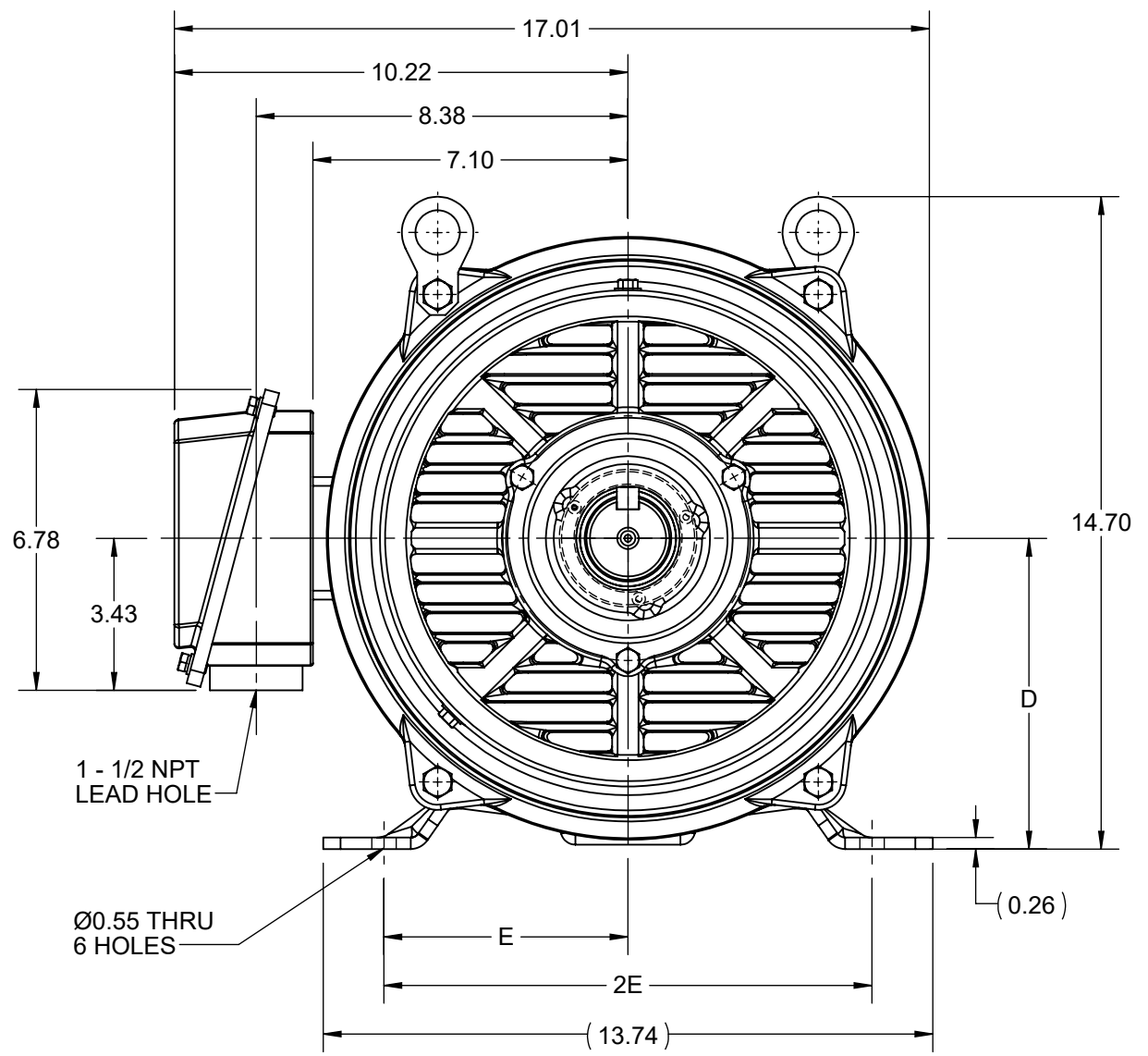
Electrical Type	<b>Squirrel Cage Induction Run</b>	Starting Method	<b>Across The Line</b>
Poles	<b>4//6</b>	Rotation	<b>Reversible</b>
Resistance Main	<b>.6069 Ohms</b>	Mounting	<b>Rigid Base</b>
Motor Orientation	<b>Horizontal</b>	Drive End Bearing	<b>Ball</b>
Opp Drive End Bearing	<b>Ball</b>	Frame Material	<b>Rolled Steel</b>
Shaft Type	<b>T</b>	Shaft Diameter	<b>1.875 in</b>
Assembly/Box Mounting	<b>F1/F2 CAPABLE</b>		
Outline Drawing	<b>SS620687-200</b>	Connection Drawing	<b>EE7317</b>

This is an uncontrolled document once printed or downloaded and is subject to change without notice. Date Created:06/23/2023

4				3				2		1	
DASH NO.	B	C	D	E	2E	2F	2FF	BA	BS	MOUNTING	FRAME
100	15.55	25.60	7.00	5.50	11.00	9.50	11.00	4.75	10.80	F1 OR F2	284T
200		26.98							12.18		286T



WHEN BEARING CURRENT PROTECTOR EXIST

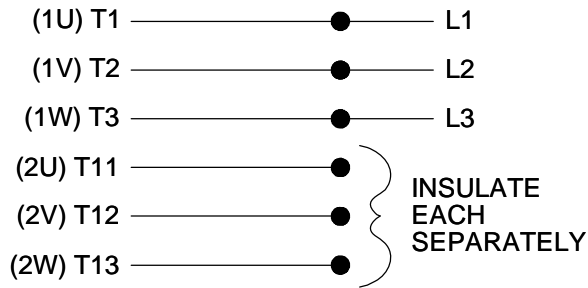


DRAWING REVISION E	REVISION BY GOPI J	REV DATE/© DATE 01/02/2022
REQUEST NUMBER CR-0006669	APPROVED BY SBD	DATE 01/02/2022
REQUEST NUMBER DESCRIPTION VIEWS UPDATED AS PER 3D		
<small>COPYRIGHT (PER REVISION DATE) REGAL BELOIT AMERICA, INC. ALL RIGHTS RESERVED. PROPRIETARY AND CONFIDENTIAL INFORMATION - THIS DOCUMENT IS THE PROPERTY OF REGAL BELOIT AMERICA, INC. ("OWNER") AND CONTAINS OWNER'S PROPRIETARY INFORMATION. ANY PERSON, CORPORATION OR OTHER FIRM RECEIVING IT IS DEEMED, BY RECEIVING IT, TO AGREE THAT IT, AND/OR ANY PART OF IT, SHALL NOT BE DISCLOSED TO ANY PERSON, CORPORATION OR OTHER ENTITY, DUPLICATED, AND/OR USED, EXCEPT AS EXPRESSLY APPROVED IN WRITING IN ADVANCE BY OWNER. THIS DOCUMENT SHALL BE RETURNED TO OWNER UPON REQUEST. IT MAY BE SUBJECT TO CERTAIN RESTRICTIONS UNDER APPLICABLE EXPORT CONTROL LAWS AND REGULATIONS.</small>		

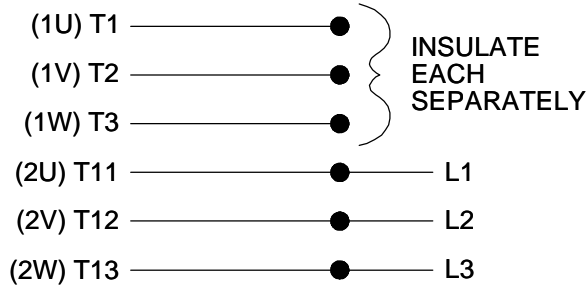
PRIMARY DIMENSIONS ARE INCH  
mm DIMENSIONS IN [BRACKETS]  
ARE FOR REFERENCE ONLY

DRAWN BY XZ	<b>Regal Rexnord</b> Regal Beloit America, Inc.	
DATE 17/04/2017	DESCRIPTION	
APPROVED BY	OUTLINE	
DATE	284/286T FR NEMA ODP RS	
REFERENCE	MATERIAL	PROCESS/FINISH
THIRD ANGLE PROJECTION	SIZE B	DRAWING NUMBER SS620687
		SHEET 1 OF 1

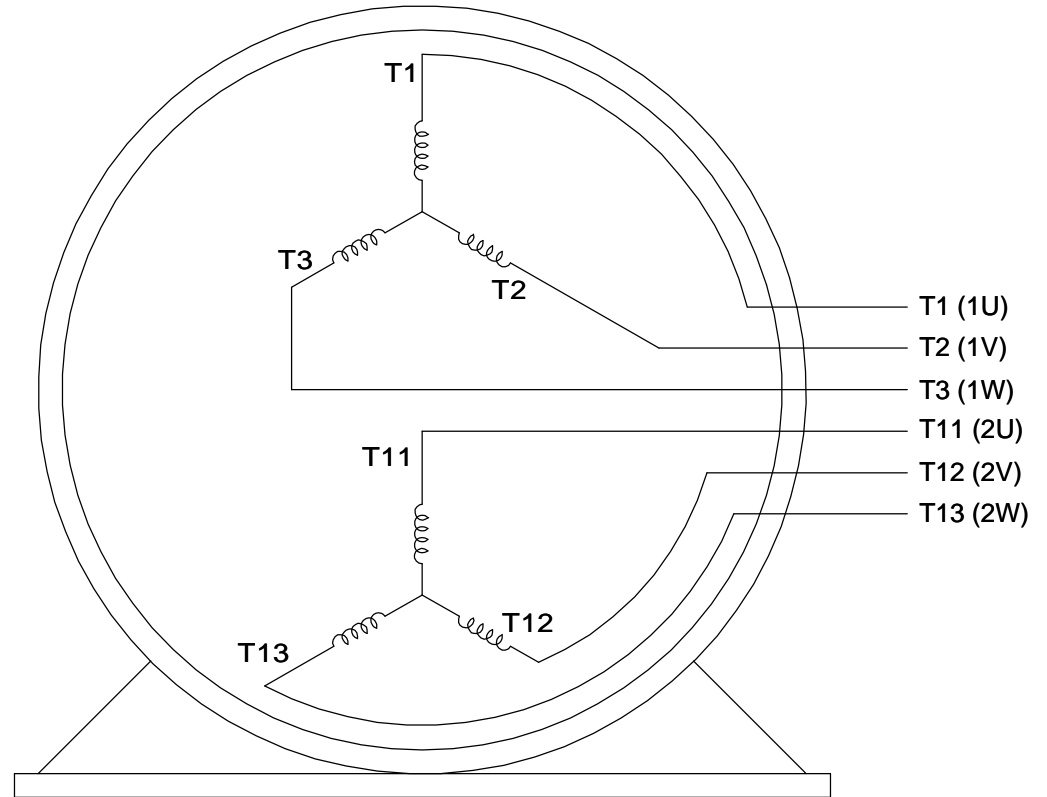
LOW SPEED



HIGHSPEED



**THREE PHASE, SINGLE VOLT, 6 LEAD  
2 SPEED REVERSIBLE MOTOR**



VIEW OF TERMINAL END

TO REVERSE ROTATION ON  
EITHER SPEED: INTERCHANGE  
ANY 2 LEADS ON THE  
WINDING IN USE.

DRAWING REVISION <b>C</b>	REVISION BY <b>JJB</b>	DATE <b>10-25-2017</b>		DRAWN BY <b>LZ</b>	<b>Regal Beloit America, Inc.</b>
ECO <b>ECO-0132917</b>	APPROVED BY <b>TLB</b>	DATE <b>10-30-2017</b>		DATE <b>01-05-1994</b>	
ECO DESCRIPTION <b>REVISED PER ECO &amp; UPDATED TO STANDARDS</b>				APPROVED BY <b>GK</b>	DESCRIPTION <b>CONN DIAGRAM-INTERNAL</b>
<small>COPYRIGHT REGAL BELOIT AMERICA, INC. ALL RIGHTS RESERVED. PROPRIETARY AND CONFIDENTIAL INFORMATION - THIS DOCUMENT IS THE PROPERTY OF REGAL BELOIT AMERICA, INC. ("OWNER") AND CONTAINS OWNER'S PROPRIETARY INFORMATION. ANY PERSON, CORPORATION OR OTHER FIRM RECEIVING IT IS DEEMED, BY RECEIVING IT, TO AGREE THAT IT, AND/OR ANY PART OF IT, SHALL NOT BE DISCLOSED TO ANY PERSON, CORPORATION OR OTHER ENTITY, DUPLICATED, AND/OR USED, EXCEPT AS EXPRESSLY APPROVED IN WRITING IN ADVANCE BY OWNER. THIS DOCUMENT SHALL BE RETURNED TO OWNER UPON REQUEST. IT MAY BE SUBJECT TO CERTAIN RESTRICTIONS UNDER APPLICABLE EXPORT CONTROL LAWS AND REGULATIONS.</small>				DATE <b>01-17-1994</b>	<b>3 PHASE - SINGLE - 2 SPEED REVERSIBLE</b>
			REFERENCE	MATERIAL	PROCESS/FINISH
			THIRD ANGLE PROJECTION	SIZE <b>A</b>	DRAWING NUMBER <b>EE7317</b>

Data Sheet

Date: 12/15/2021  
 Customer: \_\_\_\_\_  
 Attention: \_\_\_\_\_  
 Submitted by: SHERYL KUEHMICHEL



286TTDBD7217

Submittal

Data @ 460 V

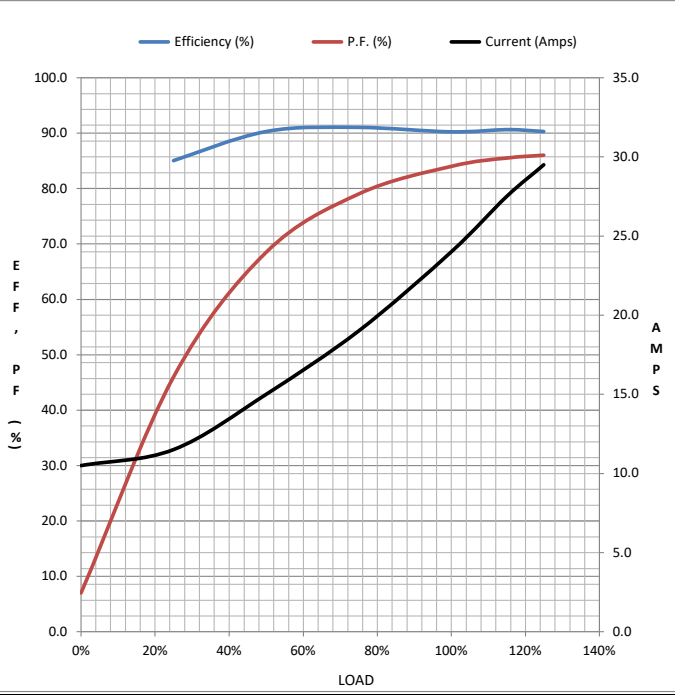
Motor Load Data

Load	0%	25%	50%	75%	100%	115%	125%	LR
Current (Amps)	10.5	11.5	15.0	19.0	24.0	27.5	29.5	160
Torque(ft-lb)	0.00	14.5	29.0	44.0	59.0	67.9	74.0	101
RPM	1800	1795	1790	1785	1775	1,775	1770	0
Efficiency (%)		85.0	90.3	91.0	90.2	90.6	90.3	
P.F. (%)	7.0	46.0	68.5	79.0	84.0	85.5	86.0	41

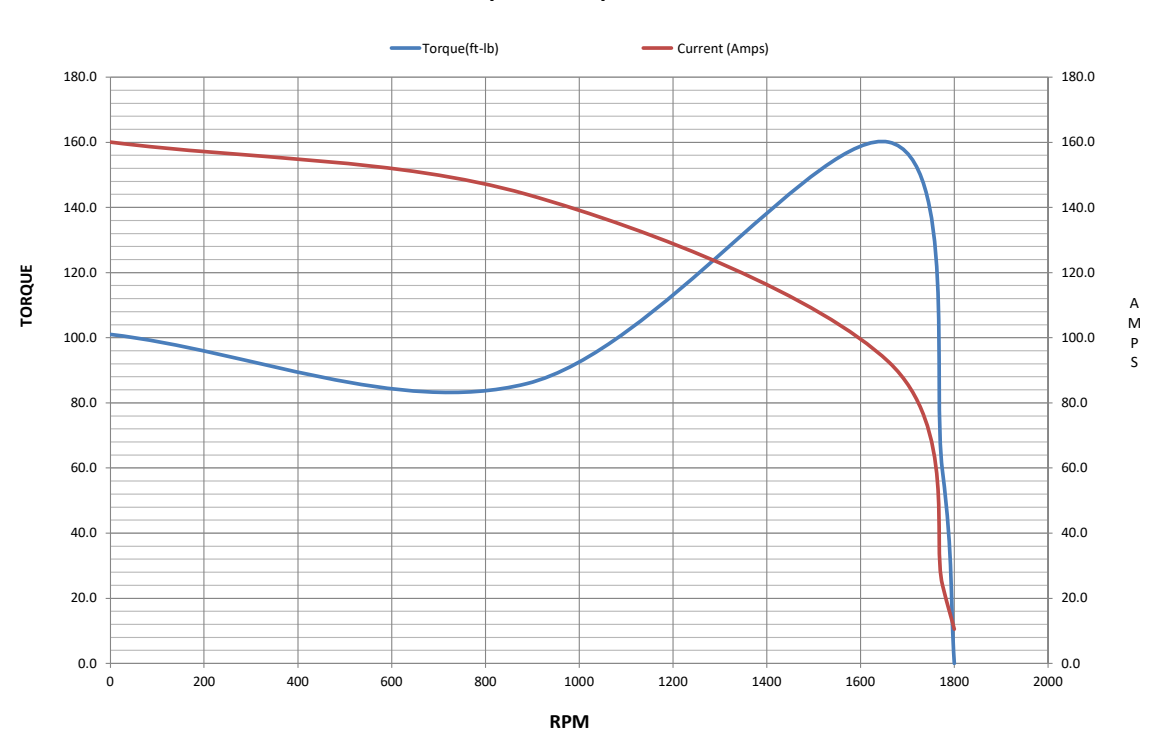
Motor Speed Data

	LR	Pull-Up	BD	Rated	Idle
Speed (RPM)	0	888	1660	1775	1800
Current (Amps)	160	144	92.5	24.0	10.5
Torque(ft-lb)	101	85.9	160	59.0	0.00

Information Block				
HP	20.0			
Sync. RPM	1800			
Frame	286T			
Enclosure	DP			
Construction	TDR			
Voltage	460 V			
Frequency	60 Hz			
Design	2VT			
LR Code letter	H			
Service Factor	1.15			
Temp Rise @ FL	80 °C			
Duty	CONT			
Ambient	40 °C			
Elevation	3,300 feet			
Rotor/Shaft wk <sup>2</sup>	0.00 Lb-Ft <sup>2</sup>			
Ref Wdg	HA3180(4-6)08 HS			
Sound Pressure @ 1M	70 dBA			
VFD Rating	NA			
Outline Dwg	SS620687-200			
Conn. Diag	EE7317			
Additional Specifications:				
CATALOG # Y460A				
HIGH SPEED PERFORMANCE				
0				
0				
EQUIV CKT (OHMS / PHASE)				
R1	R2	X1	X2	Xm
0.3786	0.1361	0.9912	1.0748	24.7725



Speed - Torque Curve



Data Sheet

Date: 12/15/2021  
 Customer: \_\_\_\_\_  
 Attention: \_\_\_\_\_  
 Submitted by: SHERYL KUEHMICHEL



286TTDBD7217

Submittal

Data @ 460 V

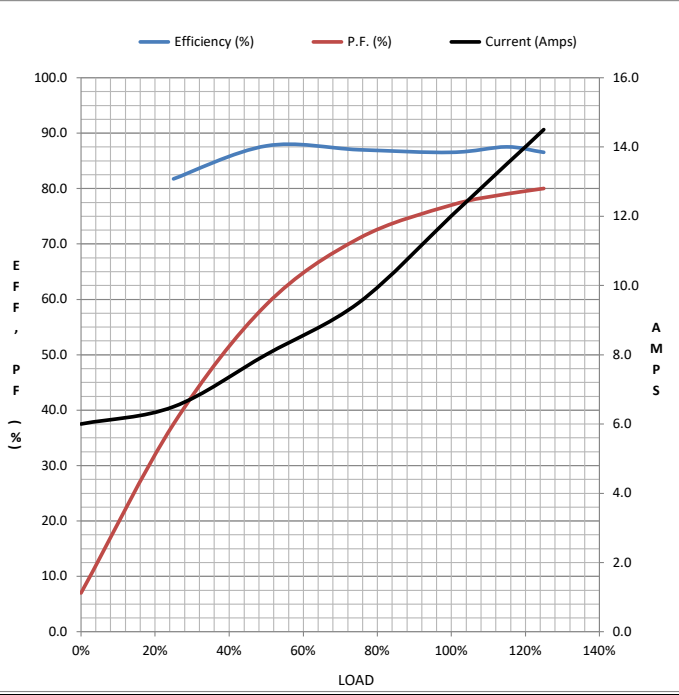
Motor Load Data

Load	0%	25%	50%	75%	100%	115%	125%	LR
Current (Amps)	6.0	6.5	8.0	9.5	12.0	13.5	14.5	55.5
Torque(ft-lb)	0.00	9.5	19.5	29.5	39.5	45.4	50.0	55.0
RPM	1200	1195	1190	1185	1180	1,175	1170	0
Efficiency (%)		81.7	87.7	87.0	86.5	87.5	86.5	
P.F. (%)	7.0	37.5	59.0	71.0	77.0	79.0	80.0	43.5

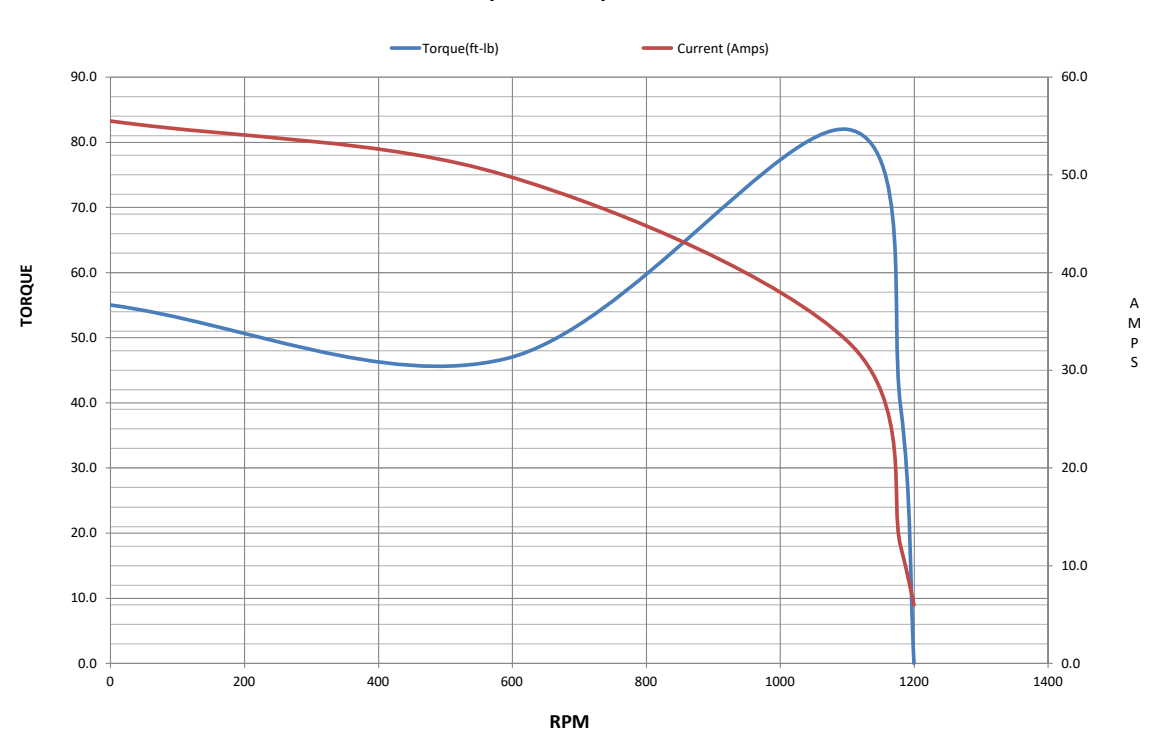
Motor Speed Data

	LR	Pull-Up	BD	Rated	Idle
Speed (RPM)	0	590	1100	1180	1200
Current (Amps)	55.5	50.0	33.0	12.0	6.0
Torque(ft-lb)	55.0	46.8	82.0	39.5	0.00

Information Block				
HP	8.9			
Sync. RPM	1200			
Frame	286T			
Enclosure	DP			
Construction	TDR			
Voltage	460 V			
Frequency	60 Hz			
Design	2VT			
LR Code letter	E			
Service Factor	1.15			
Temp Rise @ FL	75 °C			
Duty	CONT			
Ambient	40 °C			
Elevation	3,300 feet			
Rotor/Shaft wk <sup>2</sup>	0.00 Lb-Ft <sup>2</sup>			
Ref Wdg	HA3180(4-6)08 HS			
Sound Pressure @ 1M	65 dBA			
VFD Rating	NA			
Outline Dwg	SS620687-200			
Conn. Diag	EE7317			
Additional Specifications:				
CATALOG # Y460A				
LOW SPEED PERFORMANCE				
0				
0				
EQUIV CKT (OHMS / PHASE)				
R1	R2	X1	X2	Xm
1.1728	0.4271	1.9919	3.6300	40.2837



Speed - Torque Curve



## EC Declaration of Conformity

The undersigned representing  
the manufacturer:

Regal Beloit America  
100 East Randolph St.  
Wausau, WI 54401

and the authorized representative  
established within the Community:

Marathon Electric UK  
6F Thistleton Road Ind. Estate  
Market Overton  
Oakham, Rutland LE15 7PP UK

are committed to providing customers with products that comply with applicable regulations and international protocols to which they are subject, including the requirements of the European Parliament Directive on the Harmonization of the laws relating to electrical equipment designed for use within certain voltage limits (2014/35/EU).

Regal Beloit America declares that the following product(s), to which this declaration relates, are in conformity with the relevant sections of the EC standards listed below.

This statement supersedes any statements previously issued pertaining to the product(s) listed below and is subject to change without notice.

Model No : 286TTDBD7217

(Model No. may contain prefix and/or suffix characters)

Catalog No : Y460A

Rework No : N/A

Directives :

Low Voltage Directive 2014/35/EU

Harmonized Standards Used :

EN 60034-1: 2010 (IEC 60034-1: 2010)

EN 60034-5: 2001/A1:2007 (IEC 60034-5: 2000/A1:2006)

Authorized Representative:



Michael A. Logsdon  
Vice President, Technology

Authorized Representative in the Community:



Julian Clark  
Marketing Engineer

Created on 09/01/2022

**CE 22**