

PRODUCT INFORMATION PACKET

Model No: 286TSTFCD6001

Catalog No: GT1030A

Globetrotter® General Purpose Motor, 30 & 25 HP, 3 Ph, 60 & 50 Hz, 230/460 & 190/380 V,
3600 & 3000 RPM, 286TS Frame, TEFC



Regal and Marathon are trademarks of Regal Rexnord Corporation or one of its affiliated companies.

©2024 Regal Rexnord Corporation, All Rights Reserved. MC017097E

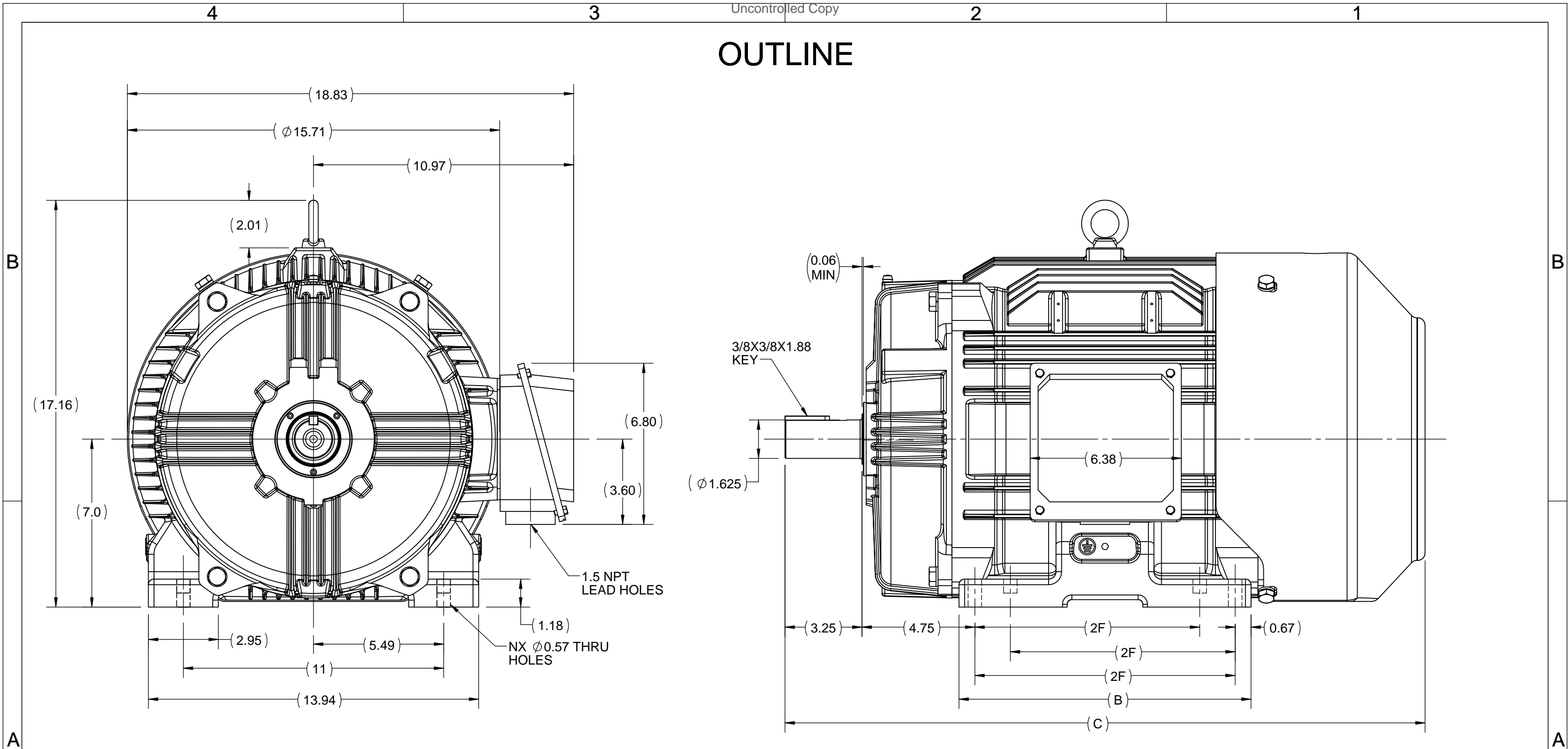
Nameplate Specifications

Phase	3	Output HP	30 & 25 Hp
Output KW	22.4 & 18.7 kW	Voltage	230/460 & 190/380 V
Speed	3550 & 2950 rpm	Service Factor	1.15 & 1.15
Frame	286TS	Enclosure	Totally Enclosed Fan Cooled
Thermal Protection	No Protection	Efficiency	91.7 & 91.4 %
Ambient Temperature	40 °C	Frequency	60 & 50 Hz
Current	71/35.5 & 72/36 A	Power Factor	86.5
Duty	Continuous	Insulation Class	F
Design Code	B	KVA Code	G
Drive End Bearing Size	6311	Opp Drive End Bearing Size	6211
UL	Listed	CSA	Y
CE	Y	IP Code	55
Number of Speeds	1	Hazardous Location	DIVISION 2 T2B

Technical Specifications



Electrical Type	Squirrel Cage Inverter Rated	Starting Method	Part Wdg Start Low Volt Only & Wye Start Delta Run Or Inverter
Poles	2	Rotation	Reversible
Resistance Main	.338 Ohms	Mounting	Rigid Base
Motor Orientation	Horizontal	Drive End Bearing	Ball
Opp Drive End Bearing	Ball	Frame Material	Cast Iron
Shaft Type	TS	Overall Length	26.77 in
Shaft Diameter	1.625 in	Shaft Extension	3.25 in
Assembly/Box Mounting	F1/F2 CAPABLE	Inverter Load	CONSTANT 2:1/VARIABLE 10:1
Connection Drawing	EE7308AA	Outline Drawing	SS620698-200

OUTLINE



286	12.32	26.77	11	8
284	10.82	25.28	9.5	4
FRAME	B	C	2F	N

DRAWING REVISION A	REVISION BY	DATE
ECO ECO-0116959	APPROVED BY	DATE
ECO DESCRIPTION		
NEW DRAWING RELEASE		
<small>COPYRIGHT REGAL BELOIT AMERICA, INC. ALL RIGHTS RESERVED. PROPRIETARY AND CONFIDENTIAL INFORMATION - THIS DOCUMENT IS THE PROPERTY OF REGAL BELOIT AMERICA, INC. ("OWNER") AND CONTAINS OWNER'S PROPRIETARY INFORMATION. ANY PERSON, CORPORATION OR OTHER FIRM RECEIVING IT IS DEEMED, BY RECEIVING IT, TO AGREE THAT IT, AND/OR ANY PART OF IT, SHALL NOT BE DISCLOSED TO ANY PERSON, CORPORATION OR OTHER ENTITY, DUPLICATED, AND/OR USED, EXCEPT AS EXPRESSLY APPROVED IN WRITING IN ADVANCE BY OWNER. THIS DOCUMENT SHALL BE RETURNED TO OWNER UPON REQUEST. IT MAY BE SUBJECT TO CERTAIN RESTRICTIONS UNDER APPLICABLE EXPORT CONTROL LAWS AND REGULATIONS.</small>		

DRAWN BY SN	 Regal Beloit America, Inc.
DATE 12/01/2017	
APPROVED BY SBD	DESCRIPTION OUTLINE 284/286TS FR-TEFC-CAST IRON
DATE 12/01/2017	MATERIAL
REFERENCE	PROCESS/FINISH
THIRD ANGLE PROJECTION 	SIZE B
	DRAWING NUMBER SS620698F
	SHEET 1 OF 1



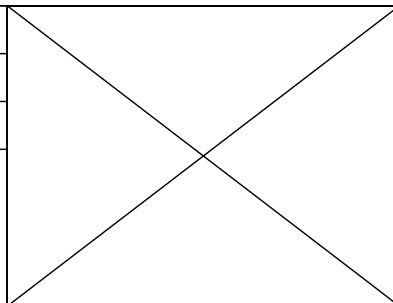
LOW VOLTAGE



HIGH VOLTAGE



DRAWING REVISION K	REVISION BY AJW	DATE 07-17-2015
ECO ECO-0081632	APPROVED BY T. VUE	DATE 07-17-2015
ECO DESCRIPTION REV'D IEC MARKINGS PER IEC 60034-8		
<small>COPYRIGHT REGAL BELOIT AMERICA, INC. ALL RIGHTS RESERVED. PROPRIETARY AND CONFIDENTIAL INFORMATION - THIS DOCUMENT IS THE PROPERTY OF REGAL BELOIT AMERICA, INC. ("OWNER") AND CONTAINS OWNER'S PROPRIETARY INFORMATION. ANY PERSON, CORPORATION OR OTHER FIRM RECEIVING IT IS DEEMED, BY RECEIVING IT, TO AGREE THAT IT, AND/OR ANY PART OF IT, SHALL NOT BE DISCLOSED TO ANY PERSON, CORPORATION OR OTHER ENTITY, DUPLICATED, AND/OR USED, EXCEPT AS EXPRESSLY APPROVED IN WRITING IN ADVANCE BY OWNER. THIS DOCUMENT SHALL BE RETURNED TO OWNER UPON REQUEST. IT MAY BE SUBJECT TO CERTAIN RESTRICTIONS UNDER APPLICABLE EXPORT CONTROL LAWS AND REGULATIONS.</small>		



DRAWN BY LZ	Regal Beloit America, Inc.	
DATE 01-12-1994		
APPROVED BY GK	DESCRIPTION CONN DIAGRAM-EXTERNAL 3Ø-2/1 DELTA-12 LEADS	
DATE 01-14-1994		
REFERENCE	MATERIAL	PROCESS/FINISH
THIRD ANGLE PROJECTION	SIZE A	DRAWING NUMBER EE7308AA
		SHEET 1 OF 1

CERTIFICATION DATA SHEET

Model#: 286TSTFCD6001 AA **WINDING#:** HE31802003 NONE 2
CONN. DIAGRAM: A-EE7308AA **ASSEMBLY:** F1/F2 CAPABLE
OUTLINE: SS620698

TYPICAL MOTOR PERFORMANCE DATA

HP	KW	SYNC. RPM	F.L. RPM	FRAME	ENCLOSURE	KVA CODE	DESIGN
30&25	22.4&18.7	3600	3550&2950	286TS	TEFC	G	B

PH	Hz	VOLTS	FL AMPS	START TYPE	DUTY	INSL	S.F	AMB°C	ELEVATION
3	60/50	230/460#190/ 380	71/35.5&72/36	Y START D RUN OR INV	CONTINUOU S	F7	1.15/1.0	40	3300

FULL LOAD EFF: 91.7&91.4	3/4 LOAD EFF: 91.7	1/2 LOAD EFF: 91.4	GTD. EFF	ELEC. TYPE	NO LOAD AMPS
FULL LOAD PF: 86.5&87	3/4 LOAD PF: 83.5	1/2 LOAD PF: 75.5	91	SQ CAGE INV RATED	24.8 / 12.4

F.L. TORQUE	LOCKED ROTOR AMPS	L.R. TORQUE	B.D. TORQUE	F.L. RISE°C
44.4 LB-FT	420 / 210	77 LB-FT 173	107 LB-FT 241	65

SOUND PRESSURE @ 3 FT.	SOUND POWER	ROTOR WK^2	MAX. WK^2	SAFE STALL TIME	STARTS /HOUR	APPROX. MOTOR WGT
72 dBA	82 dBA	3.3 LB-FT^2	35 LB-FT^2	20 SEC.	2	500 LBS.

***** SUPPLEMENTAL INFORMATION *****

DE BRACKET TYPE	ODE BRACKET TYPE	MOUNT TYPE	ORIENTATION	SEVERE DUTY	HAZARDOUS LOCATION	DRIP COVER	SCREENS	PAINT
STANDARD	STANDARD	RIGID	HORIZONTAL	FALSE	NONE	FALSE	NONE	BLUE (ENAMEL)

BEARINGS		GREASE	SHAFT TYPE	SPECIAL DE	SPECIAL ODE	SHAFT MATERIAL	FRAME MATERIAL
DE	OPE						
BALL	BALL	POLYREX EM	TS	NONE	NONE	1045 HOT ROLLED (C-204)	CAST IRON
6211	6211						

THERMO-PROTECTORS				THERMISTORS	CONTROL	SPACE /n HEATERS
THERMOSTATS	PROTECTORS	WDG RTDs	BRG RTDs			
NONE	NOT	NONE	NONE	NONE	FALSE	NONE VOLTS

If Inverter equals NONE, contact factory for further information

INVERTER TORQUE: CONSTANT 10:1
INV. HP SPEED RANGE: NONE
ENCODER: NONE
NONE NONE
NONE NONE PPR
BRAKE: NONE NONE
NONE P/N NONE
NONE NONE
NONE FT-LB NONE V NONE Hz

*
N
O
T
E
S
*

DATE: 07/03/2017 03:37:23 AM
 FORM 3531 REV.3 02/07/99
 ** Subject to change without notice.

Data Sheet

Date: 12/14/2018
 Customer: _____
 Attention: _____
 Submitted by: FAREEDA DUDEKULA



286TSTFCD6001

Submittal

Data @ 460 V

Motor Load Data

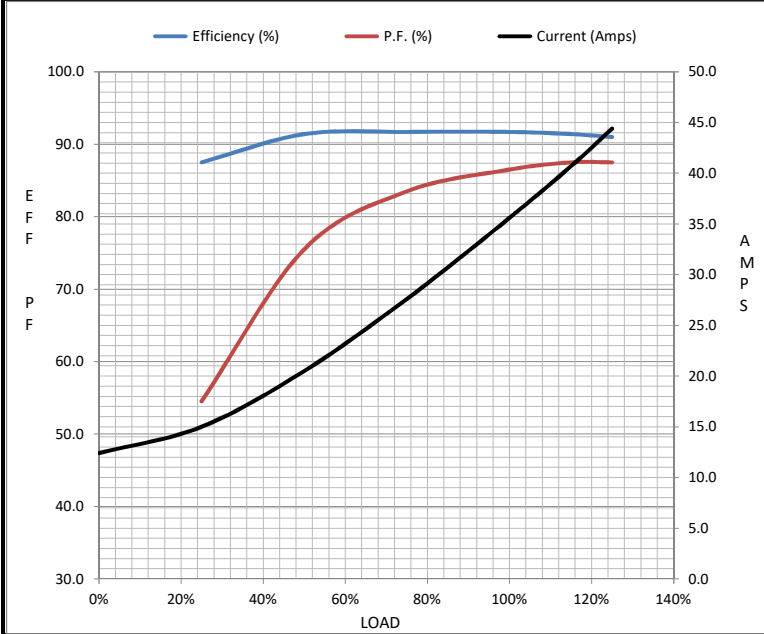
Load	0%	25%	50%	75%	100%	115%	125%	LR
Current (Amps)	12.4	15.0	20.5	27.6	35.6	40.7	44.4	210
Torque (ft-lb)	0.00	11.0	22.0	33.0	44.4	51.0	55.5	77.0
RPM	3600	3588	3575	3565	3550	3,542	3536	0
Efficiency (%)		87.5	91.4	91.7	91.7	91.4	91.0	
P.F. (%)	8.0	54.5	75.5	83.5	86.5	87.5	87.5	35.0

Motor Speed Data

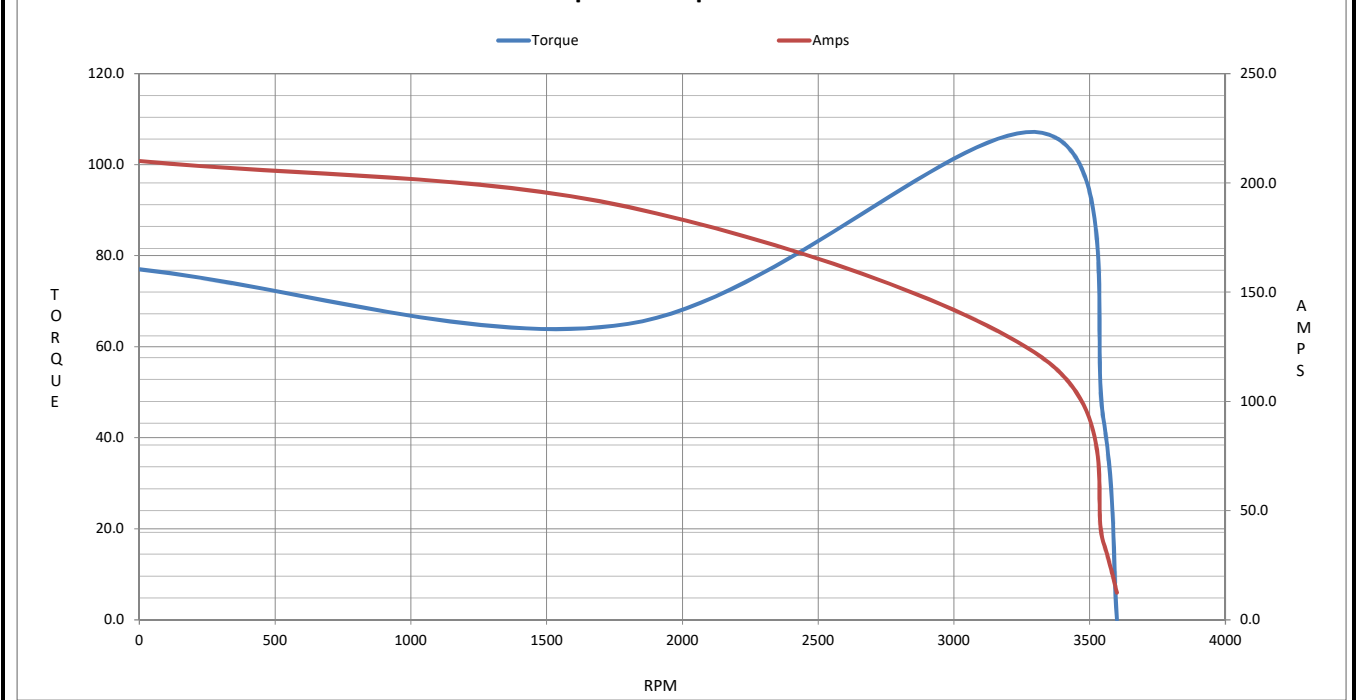
	LR	Pull-Up	BD	Rated	Idle
Speed (RPM)	0	1800	3325	3550	3600
Current (Amps)	210	189	120	35.6	12.4
Torque (ft-lb)	77.0	65.0	107	44.4	0.00

Information Block

HP	30.0			
Sync. RPM	3600			
Frame	286			
Enclosure	TEFC			
Construction	TFC			
Voltage	230/460#190/380 V			
Frequency	60 Hz			
Design	B			
LR Code letter	G			
Service Factor	1.15			
Temp Rise @ FL	65 °C			
Duty	CONT			
Ambient	40 °C			
Elevation	1,000 feet			
Rotor/Shaft wk ²	3.3 Lb-Ft ²			
Ref Wdg	HE31802003 NONE			
Sound Pressure @ 1M	72 dBA			
VFD Rating	CONSTANT 10:1			
Outline Dwg	SS620698			
Conn. Diag	A-EE7308AA			
Additional Specifications:				
0				
0				
EQUIV CKT (OHMS / PHASE)				
R1	R2	X1	X2	Xm
0.2290	0.1060	0.7060	0.7850	22.1360



Speed -Torque Curve



EC Declaration of Conformity

The undersigned representing
the manufacturer:

Regal Beloit America
100 East Randolph St.
Wausau, WI 54401

and the authorized representative
established within the Community:

Marathon Electric UK
6F Thistleton Road Ind. Estate
Market Overton
Oakham, Rutland LE15 7PP UK

are committed to providing customers with products that comply with applicable regulations and international protocols to which they are subject, including the requirements of the European Parliament Directive on the Harmonization of the laws relating to electrical equipment designed for use within certain voltage limits (2014/35/EU).

Regal Beloit America declares that the following product(s), to which this declaration relates, are in conformity with the relevant sections of the EC standards listed below.

This statement supersedes any statements previously issued pertaining to the product(s) listed below and is subject to change without notice.

Model No : 286TSTFCD6001

(Model No. may contain prefix and/or suffix characters)

Catalog No : GT1030A

Rework No : N/A

Directives :

Low Voltage Directive 2014/35/EU

Harmonized Standards Used :

EN 60034-1: 2010 (IEC 60034-1: 2010)

EN 60034-5: 2001/A1:2007 (IEC 60034-5: 2000/A1:2006)

Authorized Representative:



Michael A. Logsdon
Vice President, Technology

Authorized Representative in the Community:



Julian Clark
Marketing Engineer

Created on 09/01/2022

CE 22