

PRODUCT INFORMATION PACKET

marathon®
Motors

Model No: 286TSTFCA6003

Catalog No: GT1230

Globetrotter® General Purpose Motor, 30 & 25 HP, 3 Ph, 60 & 50 Hz, 230/460 & 190/380 V,
3600 & 3000 RPM, 286TSC Frame, TEFC



Regal and Marathon are trademarks of Regal Rexnord Corporation or one of its affiliated companies.

©2023 Regal Rexnord Corporation, All Rights Reserved. MC017097E

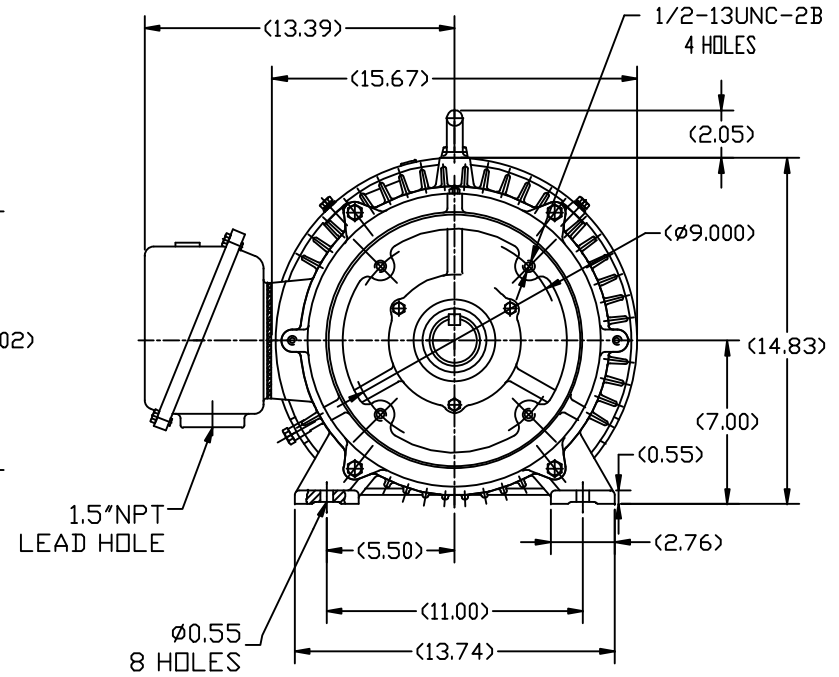
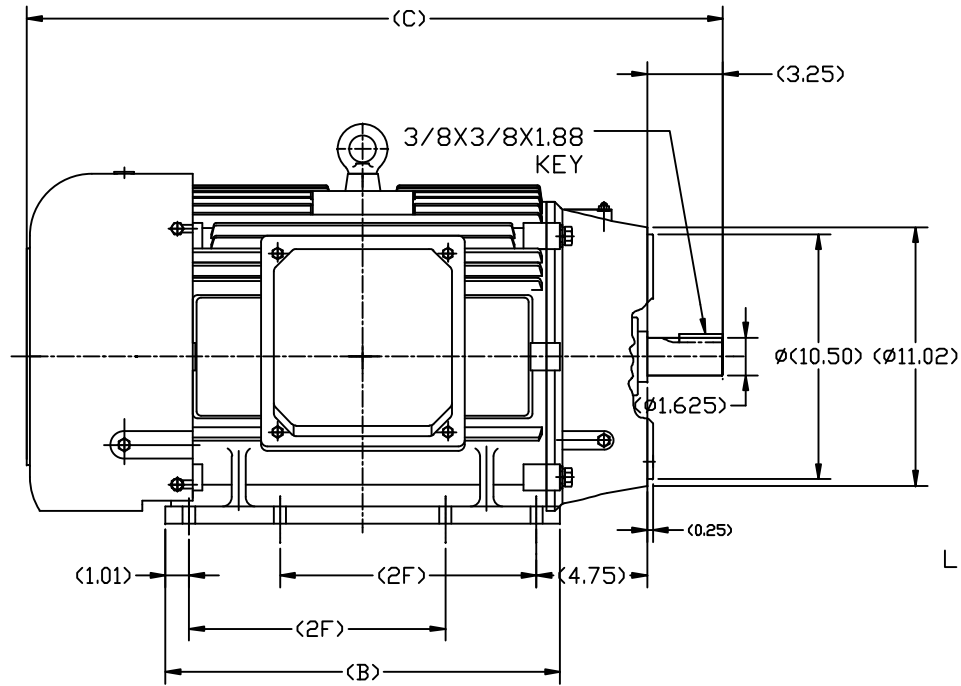
RegalRexnord

Nameplate Specifications

Phase	3	Output HP	30 & 25 Hp
Output KW	22.4 & 18.7 kW	Voltage	230/460 & 190/380 V
Speed	3560 & 2960 rpm	Service Factor	1.15 & 1.0
Frame	286TSC	Enclosure	Totally Enclosed Fan Cooled
Thermal Protection	No Protection	Efficiency	93 & 92.4 %
Ambient Temperature	40 °C	Frequency	60 & 50 Hz
Current	68/34 & 68/34 A	Power Factor	89
Duty	Continuous	Insulation Class	F
Design Code	B	KVA Code	G
Drive End Bearing Size	6211	Opp Drive End Bearing Size	6211
UL	Recognized	CSA	Y
CE	Y	IP Code	43
Number of Speeds	1		

Technical Specifications

Electrical Type	Squirrel Cage Inverter Rated	Starting Method	Line Or Inverter
Poles	2	Rotation	Reversible
Resistance Main	.23 Ohms	Mounting	Rigid Base
Motor Orientation	Horizontal	Drive End Bearing	Ball
Opp Drive End Bearing	Ball	Frame Material	Cast Iron
Shaft Type	TS	Overall Length	30.00 in
Shaft Diameter	1.625 in	Shaft Extension	3.25 in
Assembly/Box Mounting	F1/F2 Capable		
Outline Drawing	SS620301-286TSC	Connection Drawing	A-EE7308AA



284TSC	28.82	15.75	9.50
286TSC	30.00	16.93	11.00
FRAME	C	B	2F

		TOLERANCES UNLESS SPECIFIED		REGAL-BELOIT CORPORATION		DRAWN SY 4-21-2010		
		DEC.	INCHES			CHK	HZJ 4-21-2010	
		.X	±.1	TITLE OUTLINE 284/286TSC FR-TEFC-CAST IRON		APPD	CL 4-21-2010	
		.XX	±.03			SCALE	2-13	
		.XXX	±.005			REF		
1	CORRECTED DL DIMENSIONS	MOL 2/9/2012	.XXXX	±.0005	MAT'L.	FMF	HWADA	
NO.	REVISION	BY & DATE	CHK	ANG	±1/2	FINISH	PREV	
THIS DRAWING IN DESIGN AND DETAIL IS OUR PROPERTY AND MUST NOT BE USED EXCEPT IN CONNECTION WITH OUR WORK. ALL RIGHTS OF DESIGN AND INVENTION ARE RESERVED. THIS IS AN ELECTRONICALLY GENERATED DOCUMENT - DO NOT SCALE THIS PRINT			RFP	CAD FILE	SS620301	SIZE	DRAWING NO.	
			DIST			B	SS620301	
							REV.	1



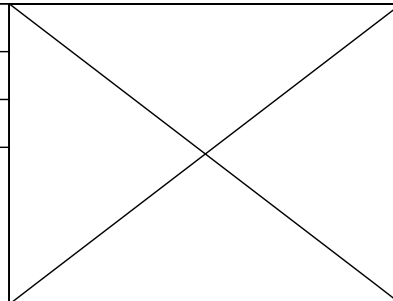
LOW VOLTAGE



HIGH VOLTAGE



DRAWING REVISION K	REVISION BY AJW	DATE 07-17-2015
ECO ECO-0081632	APPROVED BY T. VUE	DATE 07-17-2015
ECO DESCRIPTION REV'D IEC MARKINGS PER IEC 60034-8		
<small>COPYRIGHT REGAL BELOIT AMERICA, INC. ALL RIGHTS RESERVED. PROPRIETARY AND CONFIDENTIAL INFORMATION - THIS DOCUMENT IS THE PROPERTY OF REGAL BELOIT AMERICA, INC. ("OWNER") AND CONTAINS OWNER'S PROPRIETARY INFORMATION. ANY PERSON, CORPORATION OR OTHER FIRM RECEIVING IT IS DEEMED, BY RECEIVING IT, TO AGREE THAT IT, AND/OR ANY PART OF IT, SHALL NOT BE DISCLOSED TO ANY PERSON, CORPORATION OR OTHER ENTITY, DUPLICATED, AND/OR USED, EXCEPT AS EXPRESSLY APPROVED IN WRITING IN ADVANCE BY OWNER. THIS DOCUMENT SHALL BE RETURNED TO OWNER UPON REQUEST. IT MAY BE SUBJECT TO CERTAIN RESTRICTIONS UNDER APPLICABLE EXPORT CONTROL LAWS AND REGULATIONS.</small>		



DRAWN BY LZ	Regal Beloit America, Inc.	
DATE 01-12-1994		
APPROVED BY GK	DESCRIPTION CONN DIAGRAM-EXTERNAL 3Ø-2/1 DELTA-12 LEADS	
DATE 01-14-1994		
REFERENCE	MATERIAL	PROCESS/FINISH
THIRD ANGLE PROJECTION	SIZE A	DRAWING NUMBER EE7308AA
		SHEET 1 OF 1

CERTIFICATION DATA SHEET

Model#: 286TSTFCA6003 AA **WINDING#:** CHT28620001 NONE 1
CONN. DIAGRAM: A-EE7308AA **ASSEMBLY:** F1/F2 CAPABLE
OUTLINE: B-SS620301

TYPICAL MOTOR PERFORMANCE DATA

HP	KW	SYNC. RPM	F.L. RPM	FRAME	ENCLOSURE	KVA CODE	DESIGN
30&25	22.4&18.7	3600	3560&2960	286TSC	TEFC	G	B

PH	Hz	VOLTS	FL AMPS	START TYPE	DUTY	INSL	S.F	AMB°C	ELEVATION
3	60/50	230/460#190/ 380	68/34&68/34	LINE OR INVERTER	CONTINUOU S	F7	1.15/1.0	40	3300

FULL LOAD EFF: 93&92.4	3/4 LOAD EFF: 93	1/2 LOAD EFF: 92.4	GTD. EFF	ELEC. TYPE	NO LOAD AMPS
FULL LOAD PF: 89&90	3/4 LOAD PF: 88	1/2 LOAD PF: 82	91	SQ CAGE INV RATED	18 / 9

F.L. TORQUE	LOCKED ROTOR AMPS	L.R. TORQUE	B.D. TORQUE	F.L. RISE°C
44.2 LB-FT	434 / 217	95 LB-FT 215	132 LB-FT 300	60

SOUND PRESSURE @ 3 FT.	SOUND POWER	ROTOR WK^2	MAX. WK^2	SAFE STALL TIME	STARTS /HOUR	APPROX. MOTOR WGT
72 dBA	82 dBA	3.2 LB-FT^2	35 LB-FT^2	20 SEC.	2	550 LBS.

***** SUPPLEMENTAL INFORMATION *****

DE BRACKET TYPE	ODE BRACKET TYPE	MOUNT TYPE	ORIENTATION	SEVERE DUTY	HAZARDOUS LOCATION	DRIP COVER	SCREENS	PAINT
C-FACE	STANDARD	RIGID	HORIZONTAL	FALSE	NONE	FALSE	NONE	BLUE (ENAMEL)

BEARINGS		GREASE	SHAFT TYPE	SPECIAL DE	SPECIAL ODE	SHAFT MATERIAL	FRAME MATERIAL
DE	OPE						
BALL	BALL	POLYREX EM	TS	NONE	NONE	1045 HOT ROLLED (C-204)	CAST IRON
6211	6211						

THERMO-PROTECTORS				THERMISTORS	CONTROL	SPACE /n HEATERS
THERMOSTATS	PROTECTORS	WDG RTDs	BRG RTDs			
NONE	NOT	NONE	NONE	NONE	FALSE	NONE VOLTS

If Inverter equals NONE, contact factory for further information

*
N
O
T
E
S
*

INVERTER TORQUE: CONSTANT 2:1
INV. HP SPEED RANGE: NONE
ENCODER: NONE
NONE NONE
NONE NONE PPR
BRAKE: NONE NONE
NONE P/N NONE
NONE NONE
NONE FT-LB NONE V NONE Hz

DATE: 06/27/2017 02:14:26 AM
 FORM 3531 REV.3 02/07/99
 ** Subject to change without notice.

Data Sheet

Date: 6/20/2017

Customer: _____

Attention: _____

Submitted by: FAREEDA DUDEKULA



286TSTFCA6003

Submittal

Data @ 460 V

Motor Load Data

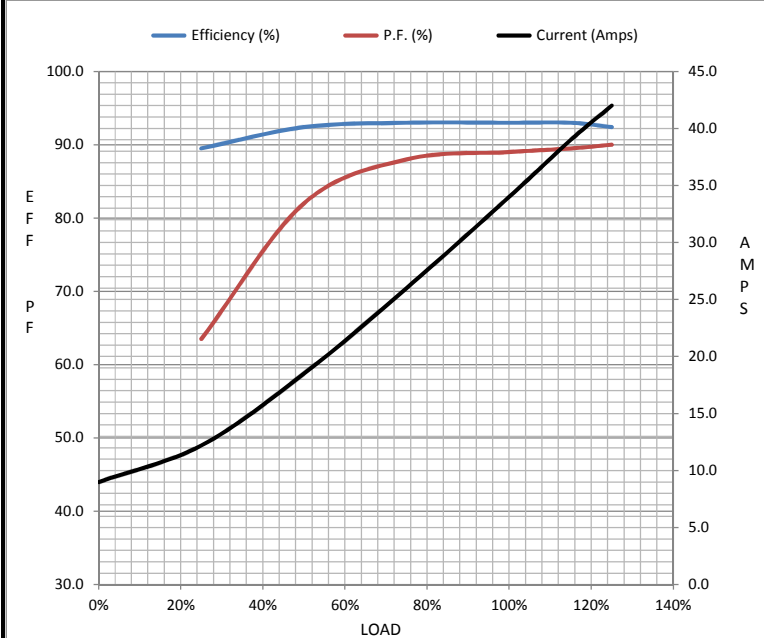
Load	0%	25%	50%	75%	100%	115%	125%	LR
Current (Amps)	9.0	12.2	18.5	26.0	34.0	39.0	42.0	217
Torque (ft-lb)	0.00	11.0	22.0	33.0	44.2	51.0	55.5	95.0
RPM	3600	3590	3580	3570	3560	3,552	3548	0
Efficiency (%)		89.5	92.4	93.0	93.0	93.0	92.4	
P.F. (%)	8.0	63.5	82.0	88.0	89.0	89.5	90.0	35.0

Motor Speed Data

	LR	Pull-Up	BD	Rated	Idle
Speed (RPM)	0	1800	3350	3560	3600
Current (Amps)	217	195	135	34.0	9.0
Torque (ft-lb)	95.0	72.5	132	44.2	0.00

Information Block

HP	30.0			
Sync. RPM	3600			
Frame	286			
Enclosure	TEFC			
Construction	TFC			
Voltage	30/460#190/381V			
Frequency	60 Hz			
Design	A			
LR Code letter	G			
Service Factor	1.15			
Temp Rise @ FL	60 °C			
Duty	CONT			
Ambient	40 °C			
Elevation	1,000 feet			
Rotor/Shaft wk ²	3.2 Lb-Ft ²			
Ref Wdg	CHT28620001 NONE			
Sound Pressure @ 1M	72 dBA			
VFD Rating	CONSTANT 2:1			
Outline Dwg	B-SS620301			
Conn. Diag	A-EE7308AA			
Additional Specifications:				
0				
0				
EQUIV CKT (OHMS / PHASE)				
R1	R2	X1	X2	Xm
0.1560	0.0950	0.6010	0.8180	29.4870



Speed -Torque Curve

