

PRODUCT INFORMATION PACKET

Model No: 284TTFPA17081

Catalog No: M890

Other Purpose Motor, 15 HP, 3 Ph, 60 Hz, 230/460 V, 1200 RPM, 284HPV Frame, TEFC

Regal and are trademarks of Regal Rexnord Corporation or one of its affiliated companies.
©2022 Regal Rexnord Corporation, All Rights Reserved. MC017097E

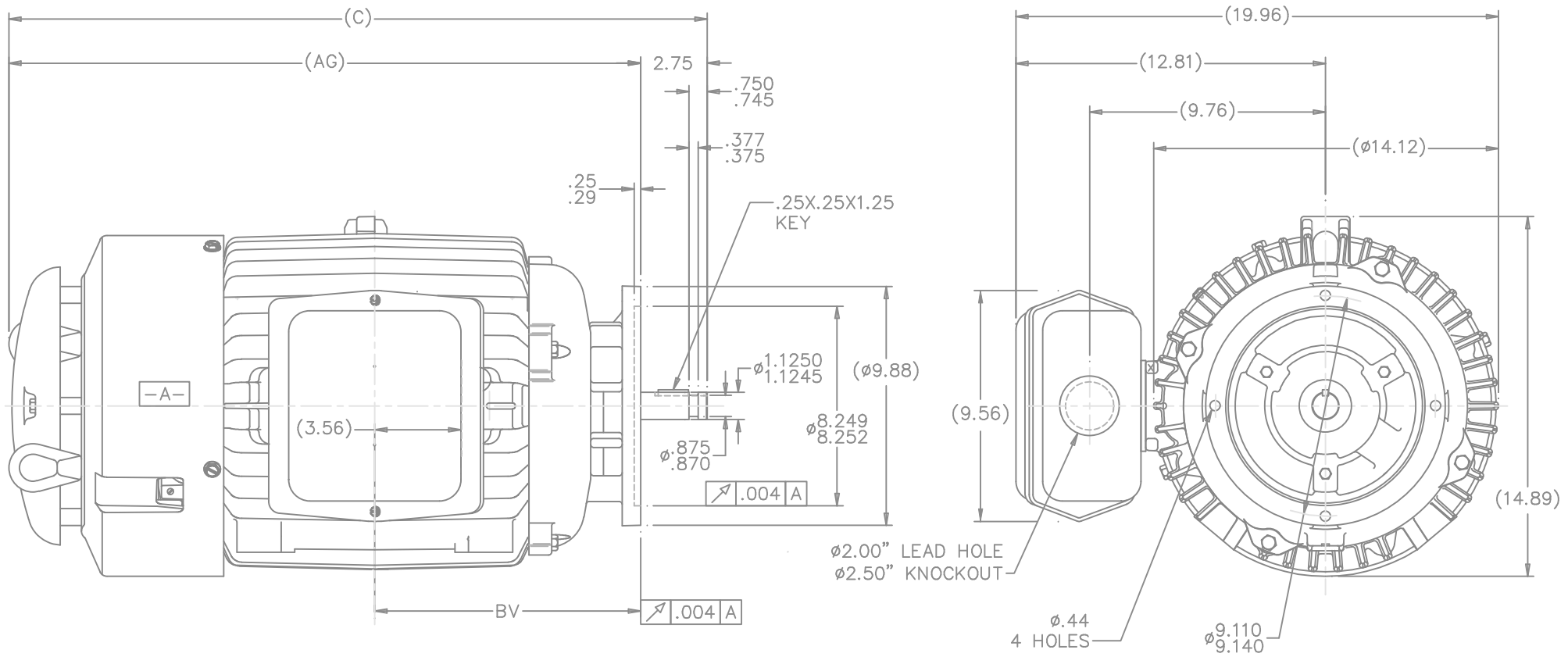


Nameplate Specifications

Output HP	15 Hp	Output KW	11.2 kW
Frequency	60 Hz	Voltage	230/460 V
Current	41.0/20.4 A	Speed	1160 rpm
Service Factor	1.15	Phase	3
Efficiency	86.5 %	Power Factor	79
Duty	Continuous	Insulation Class	F
Design Code	B	KVA Code	G
Frame	284HPV	Enclosure	Totally Enclosed Fan Cooled
Thermal Protection	No Protection	Ambient Temperature	40 °C
Drive End Bearing Size	6311	Opp Drive End Bearing Size	6210
UL	Recognized	CSA	Y
CE	Y	IP Code	43
Number of Speeds	1		

Technical Specifications

Electrical Type	Squirrel Cage Induction Run	Starting Method	Across The Line
Poles	6	Rotation	Reversible
Resistance Main	.935 Ohms	Mounting	Round
Motor Orientation	Shaft Down	Drive End Bearing	Ball
Opp Drive End Bearing	Ball	Frame Material	Cast Iron
Shaft Type	HP	Overall Length	28.88 in
Frame Length	12.75 in	Shaft Diameter	1.125 in
Shaft Extension	2.75 in	Assembly/Box Mounting	F1/F2 CAPABLE
Connection Drawing	A-EE7308	Outline Drawing	B-SS311024-1275



- NOTES:
 1. BOX CAN ONLY BE ROTATED CLOCKWISE UP TO 270° FROM ITS ORIGINAL POSITION.
 2. NAMEPLATE TO BE READ FROM CONDUIT BOX SIDE OF MOTOR.

DASH	FRAME	AG	C	BV
1275	284/6HP	26.13	28.88	11.00
1425	284/6HP	27.63	27.38	12.50

				TOLERANCES UNLESS SPECIFIED		MARATHON ELECTRIC	DRAWN CAV 04-17-2000					
				DEC.	INCHES		CHK	ML	05-03-2000			
				.X	±.1	TITLE OUTLINE - TEFC 280HP FR. - BB - P'BASE - 11.00 LAM	SCALE 1=4					
3	CHANGED TOLERANCE FROM .007 TO .004	CN 31741	BJK 07-18-2002	DRS	.XX		±.03	REF				
2	CORRECTED C'BOX HOLOE NOTE	CN 29200-1454	HLB 02-16-2001		.XXX		±.005	APPD GK 05-03-2000				
1	NEW DRAWING	MU23810	CAV 05-03-2000		.XXXX	±.0005	MAT'L					
NO.	REVISION		BY & DATE	CHK	ANG	±'30"	FINISH	PREV				
THIS DRAWING IN DESIGN AND DETAIL IS OUR PROPERTY AND MUST NOT BE USED EXCEPT IN CONNECTION WITH OUR WORK ALL RIGHTS OF DESIGN AND INVENTION ARE RESERVED THIS IS AN ELECTRONICALLY GENERATED DOCUMENT - DO NOT SCALE THIS PRINT							RFP	CAD FILE ss311024	SIZE	DRAWING NO.	PAGE OF	REV.
							DIST	LB	B	SS311024	3	3

EE7308

THREE PHASE
DUAL VOLTAGE MOTOR



REF.
WINDING DIAGRAM

T8Y, T2Y, T2BL, T4BX, T2EC, T2G
T6BZ, T2B, T6BL, T4AV, T6B, T4B

OPTIONAL CORD
CONNECTION

L1 — WHITE
L2 — RED
L3 — BLACK

NO.	REVISION	BY & DATE	CHK	ANG	TOLERANCES UNLESS SPECIFIED		FINISH	DRAWN RM 11/20/1990				
					DEC.	INCHES						
5	CHG TO REGAL LOGO	SL 09/10/2015	AB					CHK ML 11/21/1990				
4	REVISED IEC NOTATIONS	MSG 11/15/2011	CMN	.X	±.1			APPD SAS 04/24/2003				
3	ADDED IEC NOTATIONS... (U1), (V1) ETC. MU95194	MSG 5/10/2010	MJS	.XX	±.02			SCALE 1=1				
2	ADDED THE OPTIONAL CORD CONNECTION MU46318	RDH 04/24/2003	DRS	.XXX	±.005		TITLE CONNECTION DIAGRAM 3Ø - DUAL VOLTAGE MOTOR	REF				
1	REDRAWN	RM 11/20/1990		.XXXX	±.0005		MAT'L.	FMF				
					±7'30"			PREV				
THIS DRAWING IN DESIGN AND DETAIL IS OUR PROPERTY AND MUST NOT BE USED EXCEPT IN CONNECTION WITH OUR WORK ALL RIGHTS OF DESIGN AND INVENTION ARE RESERVED THIS IS AN ELECTRONICALLY GENERATED DOCUMENT - DO NOT SCALE THIS PRINT							RFP	CAD FILE ee7308	SIZE A	DRAWING NO. EE7308	PAGE OF 5	REV. 5
							DIST WP					

