

PRODUCT INFORMATION PACKET

Model No: 284TTFNA6580

Catalog No: E694

15 HP Severe Duty Motor, 3 phase, 1200 RPM, 575 V, 284T Frame, TEFC
Severe Duty Motors



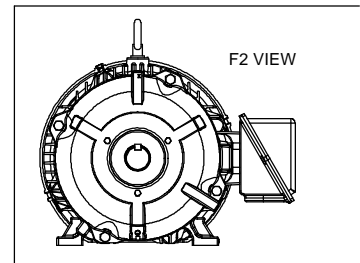
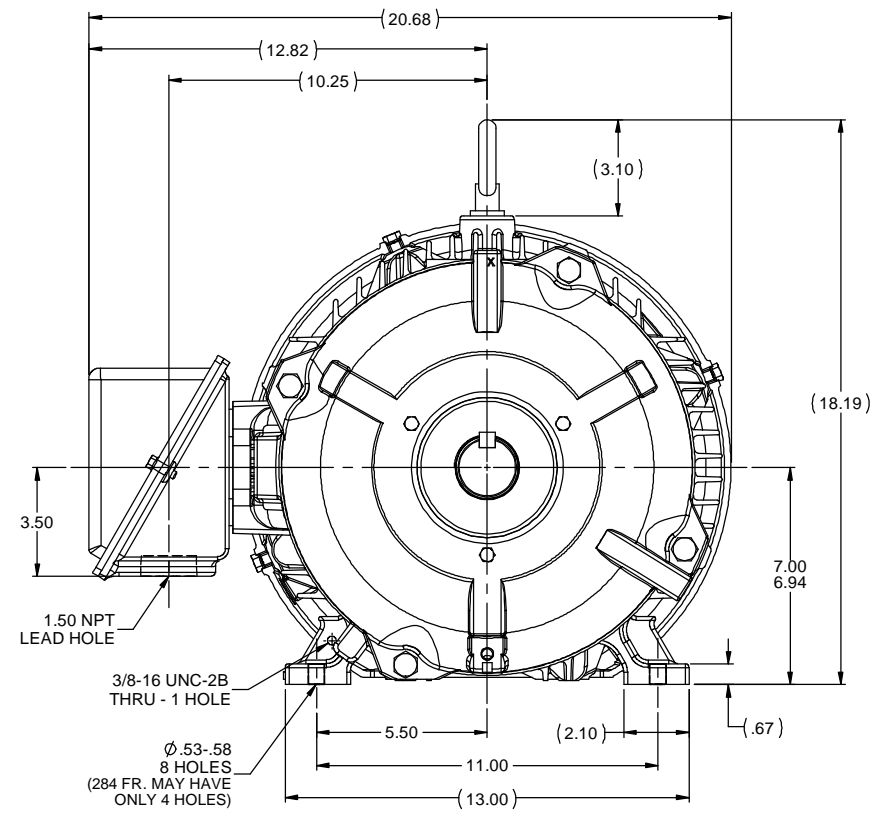
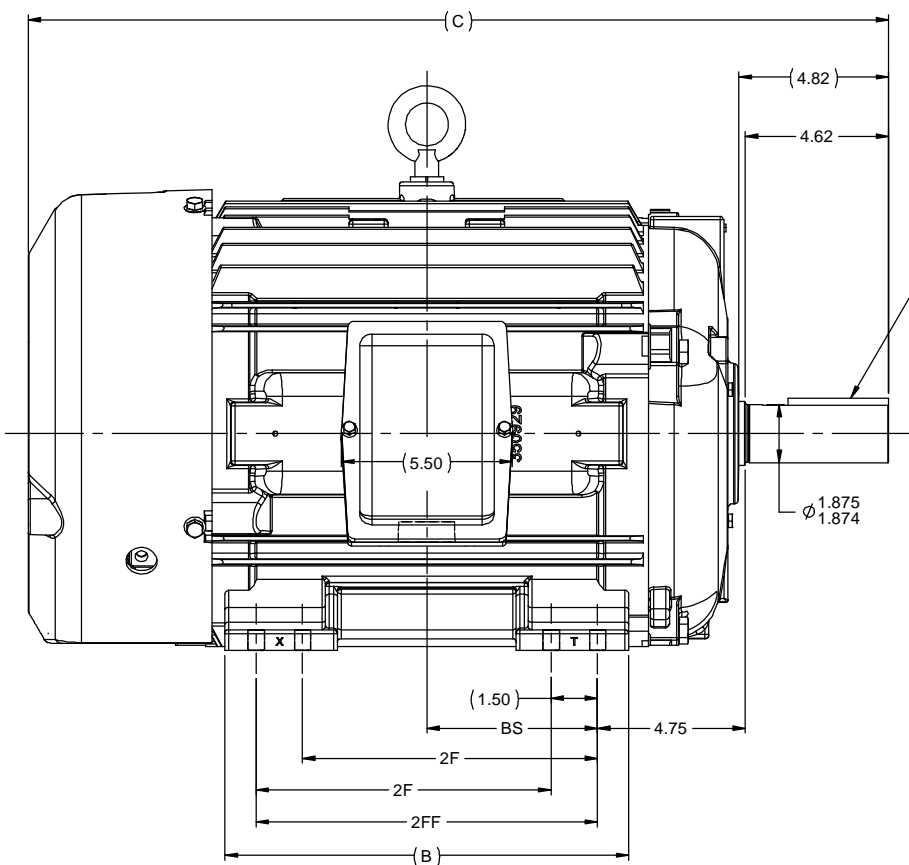
Nameplate Specifications

Output HP	15 Hp	Output KW	11.2 kW
Frequency	60 Hz	Voltage	575 V
Current	16.3 A	Speed	1178 rpm
Service Factor	1.15	Phase	3
Efficiency	91.7 %	Power Factor	75
Duty	Continuous	Insulation Class	F
Design Code	B	KVA Code	G
Frame	284T	Enclosure	Totally Enclosed Fan Cooled
Thermal Protection	No	Ambient Temperature	40 °C
Drive End Bearing Size	6311	Opp Drive End Bearing Size	6210
UL	Recognized	CSA	Y
CE	Y	IP Code	54
Number of Speeds	1		

Technical Specifications

Electrical Type	Squirrel Cage Inverter Rated	Starting Method	Line Or Inverter
Poles	6	Rotation	Reversible
Resistance Main	.5026 Ohms	Mounting	Rigid Base
Motor Orientation	Horizontal	Drive End Bearing	Ball
Opp Drive End Bearing	Ball	Frame Material	Cast Iron
Shaft Type	T	Overall Length	26.21 in
Frame Length	12.75 in	Shaft Diameter	1.875 in
Shaft Extension	4.82 in	Assembly/Box Mounting	F1/F2 Capable
Connection Drawing	A-EE7300	Outline Drawing	B-SS311057-1275

This is an uncontrolled document once printed or downloaded and is subject to change without notice. Date Created:10/12/2021



- NOTES:
 1. CONDUIT BOX CAN BE ROTATED UP TO 270 ° FROM ITS ORIGINAL POSITION.
 2. CONDUIT BOX CAN BE MOUNTED ON OPPOSITE SIDE BY REMOVING BRACKETS AND TURNING FRAME 180 °.
 3. NAMEPLATE TO BE READ FROM CONDUIT BOX SIDE OF MOTOR.

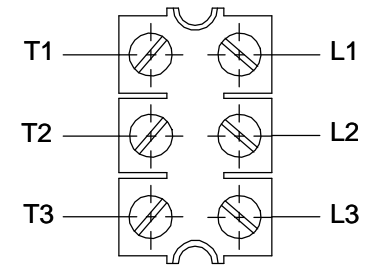
1275	284T	26.21	12.50	9.50	---	4.75
1425	284/286T	27.71	13.00	9.50	11.00	5.50
DASH	FRAME	C	B	2F	2FF	BS

		TOLERANCES UNLESS SPECIFIED		marathon electric		DRAWN CAV 10-18-2000
		DEC INCHES				CHK ML 10-18-2000
4	UPDATED TO NEW FRAME DESIGN	MU106205	MSG 08-22-2012	MSG	x ±.1	APPR BW 10-18-2000
3	REDRAWN IN AUTOCAD - NO CHANGE		TAT 06-29-2004	ML	xx ±.03	SCALE 1:4
2	ADDED NOTE 3	MU35810	DAH 02-06-2001	ML	xxx ±.005	REF
1	NEW DRAWING	MU34031	MSG 08-23-2012	ML	xxxx ±.0005	FMF MU34031
NO	REVISION	BY & DATE	CHK	LANG	±1/2°	PAGE OF
			THIRD ANGLE PROJECTION		FINISH	REV
			RFP 10-18-2000		PREV	SIZE DRAWING NO
			NETWORK FILE NAME SS311057		FINISH	B SS311057
					REV	4

**THREE PHASE - SINGLE VOLTAGE
MOTOR - CONDUIT BOX @ 'A'**

**TO REVERSE ROTATION:
INTERCHANGE ANY TWO
LINE LEAD CONNECTIONS.**

TERMINAL BLOCK WHEN SPECIFIED



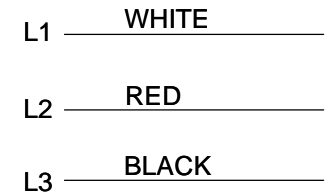
VIEW OF TERMINAL END

**IF MOTOR HAS
6 LEADS**



A-9806 DECAL

**OPTIONAL CORD
CONNECTION**



DRAWING REVISION AB	REVISION BY JJB	DATE 06-27-2017
ECO ECO-0125361	APPROVED BY TB	DATE 06-27-2017
ECO DESCRIPTION UPDATED TO CURRENT STANDARDS		
<small>COPYRIGHT REGAL BELOIT AMERICA, INC. ALL RIGHTS RESERVED. PROPRIETARY AND CONFIDENTIAL INFORMATION - THIS DOCUMENT IS THE PROPERTY OF REGAL BELOIT AMERICA, INC. ("OWNER") AND CONTAINS OWNER'S PROPRIETARY INFORMATION. ANY PERSON, CORPORATION OR OTHER FIRM RECEIVING IT IS DEEMED, BY RECEIVING IT, TO AGREE THAT IT, AND/OR ANY PART OF IT, SHALL NOT BE DISCLOSED TO ANY PERSON, CORPORATION OR OTHER ENTITY, DUPLICATED, AND/OR USED, EXCEPT AS EXPRESSLY APPROVED IN WRITING IN ADVANCE BY OWNER. THIS DOCUMENT SHALL BE RETURNED TO OWNER UPON REQUEST. IT MAY BE SUBJECT TO CERTAIN RESTRICTIONS UNDER APPLICABLE EXPORT CONTROL LAWS AND REGULATIONS.</small>		



DRAWN BY DA
DATE 03-26-1993
APPROVED BY TB
DATE 03-26-1993
REFERENCE
THIRD ANGLE PROJECTION

Regal Beloit America, Inc.	
DESCRIPTION CONNECTION DIAGRAM EXTERNAL - SINGLE VOLTAGE - 3Ø MOTOR	
MATERIAL	PROCESS/FINISH
SIZE A	DRAWING NUMBER EE7300
SHEET 1 OF 1	

CERTIFICATION DATA SHEET

Model#: 284TTFNA6580 AC
CONN. DIAGRAM: A-EE7300
OUTLINE: B-SS311057-1275

WINDING#: 284658 NONE 5
ASSEMBLY: F1/F2 CAPABLE

TYPICAL MOTOR PERFORMANCE DATA

HP	KW	SYNC. RPM	F.L. RPM	FRAME	ENCLOSURE	KVA CODE	DESIGN
15	11.2	1200	1178	284T	TEFC	G	B

PH	Hz	VOLTS	FL AMPS	START TYPE	DUTY	INSL	S.F	AMB°C	ELEVATION
3	60	575	16.3	LINE OR INVERTER	CONTINUOUS	F3	1.15	40	3300

FULL LOAD EFF: 91.7	3/4 LOAD EFF: 91.7	1/2 LOAD EFF: 91	GTD. EFF	ELEC. TYPE	NO LOAD AMPS
FULL LOAD PF: 75	3/4 LOAD PF: 69	1/2 LOAD PF: 57.5	91	SQ CAGE INV RATED	8

F.L. TORQUE	LOCKED ROTOR AMPS	L.R. TORQUE	B.D. TORQUE	F.L. RISE°C
66.9 LB-FT	92.8	120 LB-FT 179	205 LB-FT 306	55

SOUND PRESSURE @ 3 FT.	SOUND POWER	ROTOR WK^2	MAX. WK^2	SAFE STALL TIME	STARTS /HOUR	APPROX. MOTOR WGT
56 dBA	66 dBA	4.1 LB-FT^2	280 LB-FT^2	20 SEC.	2	460 LBS.

***** SUPPLEMENTAL INFORMATION *****

DE BRACKET TYPE	ODE BRACKET TYPE	MOUNT TYPE	ORIENTATION	SEVERE DUTY	HAZARDOUS LOCATION	DRIP COVER	SCREENS	PAINT
STANDARD	STANDARD	RIGID	HORIZONTAL	PREMIUM SEVERE DUTY	DIVISION 2 T2B	FALSE	NONE	BLUE (EPOXY)

BEARINGS		GREASE	SHAFT TYPE	SPECIAL DE	SPECIAL ODE	SHAFT MATERIAL	FRAME MATERIAL
DE	OPE						
BALL	BALL	POLYREX EM	T	NONE	NONE	1045 HOT ROLLED (C-204)	CAST IRON
6311	6210						

THERMO-PROTECTORS				THERMISTORS	CONTROL	SPACE /n HEATERS
THERMOSTATS	PROTECTORS	WDG RTDs	BRG RTDs			
NONE	NOT	NONE	NONE	NONE	FALSE	NONE VOLTS

If Inverter equals NONE, contact factory for further information

*
N
O
T
E
S
*

INVERTER TORQUE: CONSTANT 2:1
INV. HP SPEED RANGE: NONE
ENCODER: NONE
NONE NONE
NONE NONE PPR
BRAKE: NONE NONE
NONE P/N NONE
NONE NONE
NONE FT-LB NONE V NONE Hz

DATE: 06/27/2017 01:29:27 AM
 FORM 3531 REV.3 02/07/99
 ** Subject to change without notice.

Data Sheet

Date: 29-06-2017
Customer: _____
Attention: _____
Submitted by: FAREEDA DUDEKULA



284TFNA6580

Submittal

Data @ **575 V**

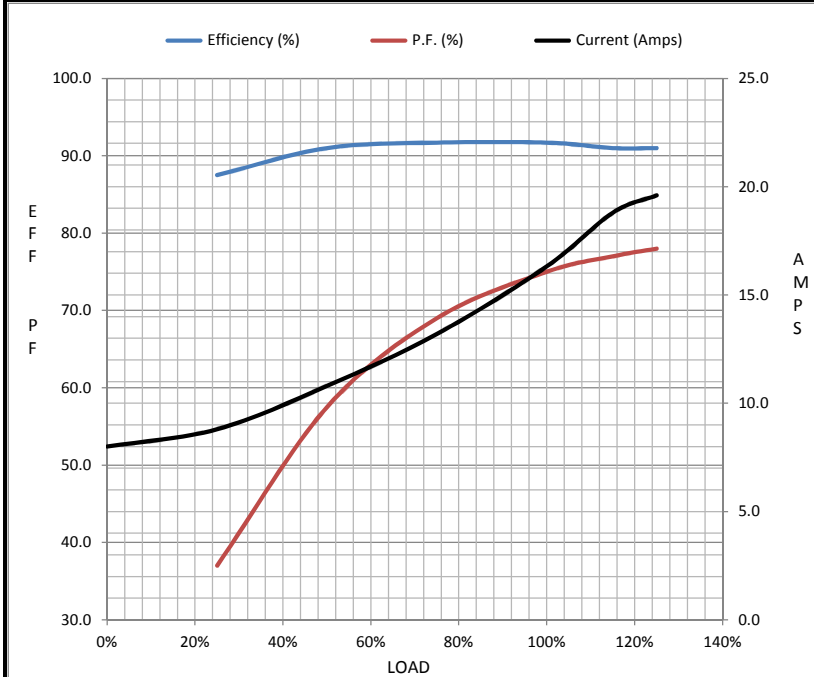
Motor Load Data

Load	0%	25%	50%	75%	100%	115%	125%	LR
Current (Amps)	8.0	8.8	10.8	13.2	16.3	18.8	19.6	92.8
Torque (ft-lb)	0.00	16.5	33.0	50.0	66.9	77.0	84.0	120
RPM	1200	1194	1190	1184	1178	1,174	1172	0
Efficiency (%)		87.5	91.0	91.7	91.7	91.0	91.0	
P.F. (%)	5.1	37.0	57.5	69.0	75.0	77.0	78.0	35.5

Motor Speed Data

	LR	Pull-Up	BD	Rated	Idle
Speed (RPM)	0	700	1085	1178	1200
Current (Amps)	92.8	88.0	60.0	16.3	8.0
Torque (ft-lb)	120	115	205	66.9	0.00

Information Block				
HP	15.0			
Sync. RPM	1200			
Frame	284			
Enclosure	TEFC			
Construction	TFN			
Voltage	575 V			
Frequency	60 Hz			
Design	B			
LR Code letter	G			
Service Factor	1.15			
Temp Rise @ FL	55 ° C			
Duty	CONT			
Ambient	40 ° C			
Elevation	1,000 feet			
Rotor/Shaft wk ²	4.1 Lb-Ft ²			
Ref Wdg	284658 NONE			
Sound Pressure @ 1M	56 dBA			
VFD Rating	CONSTANT 2:1			
Outline Dwg	B-SS311057-1275			
Conn. Diag	A-EE7300			
Additional Specifications:				
0				
365THFS8036				
EQUIV CKT (OHMS / PHASE)				
R1	R2	X1	X2	Xm
0.5590	0.5590	2.9120	3.1930	45.0240



Speed - Torque Curve

