

# PRODUCT INFORMATION PACKET

**marathon®**  
Motors

Model No: 284TTFCD6101

Catalog No: GT10113

Globetrotter® General Purpose Motor, 10 & 7.50 HP, 3 Ph, 60 & 50 Hz, 230/460 & 190/380 V,  
900 & 750 RPM, 284T Frame, TEFC



Regal and Marathon are trademarks of Regal Rexnord Corporation or one of its affiliated companies.

©2024 Regal Rexnord Corporation, All Rights Reserved. MC017097E

**RegalRexnord**

### Nameplate Specifications

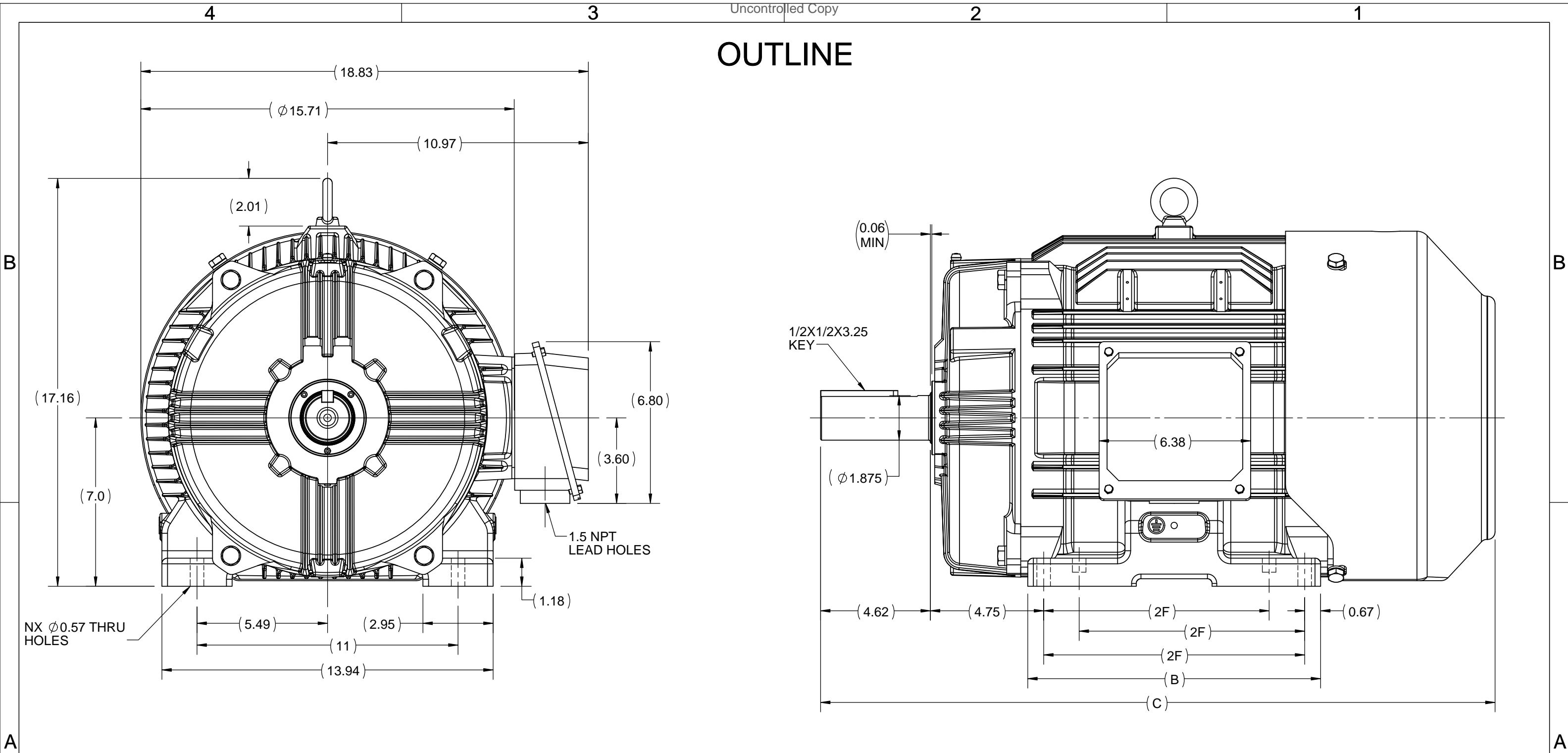
Phase	<b>3</b>	Output HP	<b>10 &amp; 7.5 Hp</b>
Output KW	<b>7.5 &amp; 5.6 kW</b>	Voltage	<b>230/460 &amp; 190/380 V</b>
Speed	<b>880 &amp; 730 rpm</b>	Service Factor	<b>1.15 &amp; 1.15</b>
Frame	<b>284T</b>	Enclosure	<b>Totally Enclosed Fan Cooled</b>
Thermal Protection	<b>No Protection</b>	Efficiency	<b>89.5 &amp; 89.1 %</b>
Ambient Temperature	<b>40 °C</b>	Frequency	<b>60 &amp; 50 Hz</b>
Current	<b>27.6/13.8 &amp; 25.6/12.8 A</b>	Power Factor	<b>75</b>
Duty	<b>Continuous</b>	Insulation Class	<b>F</b>
Design Code	<b>B</b>	KVA Code	<b>H</b>
Drive End Bearing Size	<b>6311</b>	Opp Drive End Bearing Size	<b>6211</b>
UL	<b>Recognized</b>	CSA	<b>Y</b>
CE	<b>Y</b>	IP Code	<b>55</b>
Number of Speeds	<b>1</b>		

### Technical Specifications



Electrical Type	<b>Squirrel Cage Inverter Rated</b>	Starting Method	<b>Line Or Inverter</b>
Poles	<b>8</b>	Rotation	<b>Reversible</b>
Resistance Main	<b>.8717 Ohms</b>	Mounting	<b>Rigid Base</b>
Motor Orientation	<b>Horizontal</b>	Drive End Bearing	<b>Ball</b>
Opp Drive End Bearing	<b>Ball</b>	Frame Material	<b>Cast Iron</b>
Shaft Type	<b>T</b>	Shaft Diameter	<b>1.875 in</b>
Assembly/Box Mounting	<b>F1/F2 CAPABLE</b>	Inverter Load	<b>CONSTANT 10:1/VARIABLE 10:1</b>
Connection Drawing	<b>EE7308FT</b>	Outline Drawing	<b>SS620704-100</b>

This is an uncontrolled document once printed or downloaded and is subject to change without notice. Date Created:10/18/2024

# OUTLINE



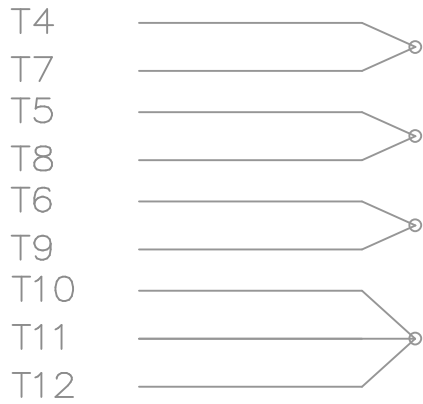
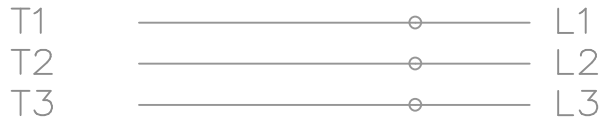
DRAWING REVISION A	REVISION BY	DATE
ECO ECO-0116959	APPROVED BY	DATE
ECO DESCRIPTION <b>NEW DRAWING RELEASE</b> COPYRIGHT REGAL BELOIT AMERICA, INC. ALL RIGHTS RESERVED. PROPRIETARY AND CONFIDENTIAL INFORMATION - THIS DOCUMENT IS THE PROPERTY OF REGAL BELOIT AMERICA, INC. ("OWNER") AND CONTAINS OWNER'S PROPRIETARY INFORMATION. ANY PERSON, CORPORATION OR OTHER FIRM RECEIVING IT IS DEEMED, BY RECEIVING IT, TO AGREE THAT IT, AND/OR ANY PART OF IT, SHALL NOT BE DISCLOSED TO ANY PERSON, CORPORATION OR OTHER ENTITY, DUPLICATED, AND/OR USED, EXCEPT AS EXPRESSLY APPROVED IN WRITING IN ADVANCE BY OWNER. THIS DOCUMENT SHALL BE RETURNED TO OWNER UPON REQUEST. IT MAY BE SUBJECT TO CERTAIN RESTRICTIONS UNDER APPLICABLE EXPORT CONTROL LAWS AND REGULATIONS.		

DRAWN BY SN	 Regal Beloit America, Inc.
DATE 13/01/2017	
APPROVED BY SBD	DESCRIPTION <b>OUTLINE</b> 284/286T FR-TEFC-CAST IRON
DATE 13/01/2017	MATERIAL PROCESS/FINISH
REFERENCE	SIZE DRAWING NUMBER <b>B</b> <b>SS620704F</b>
THIRD ANGLE PROJECTION 	SHEET 1 OF 1

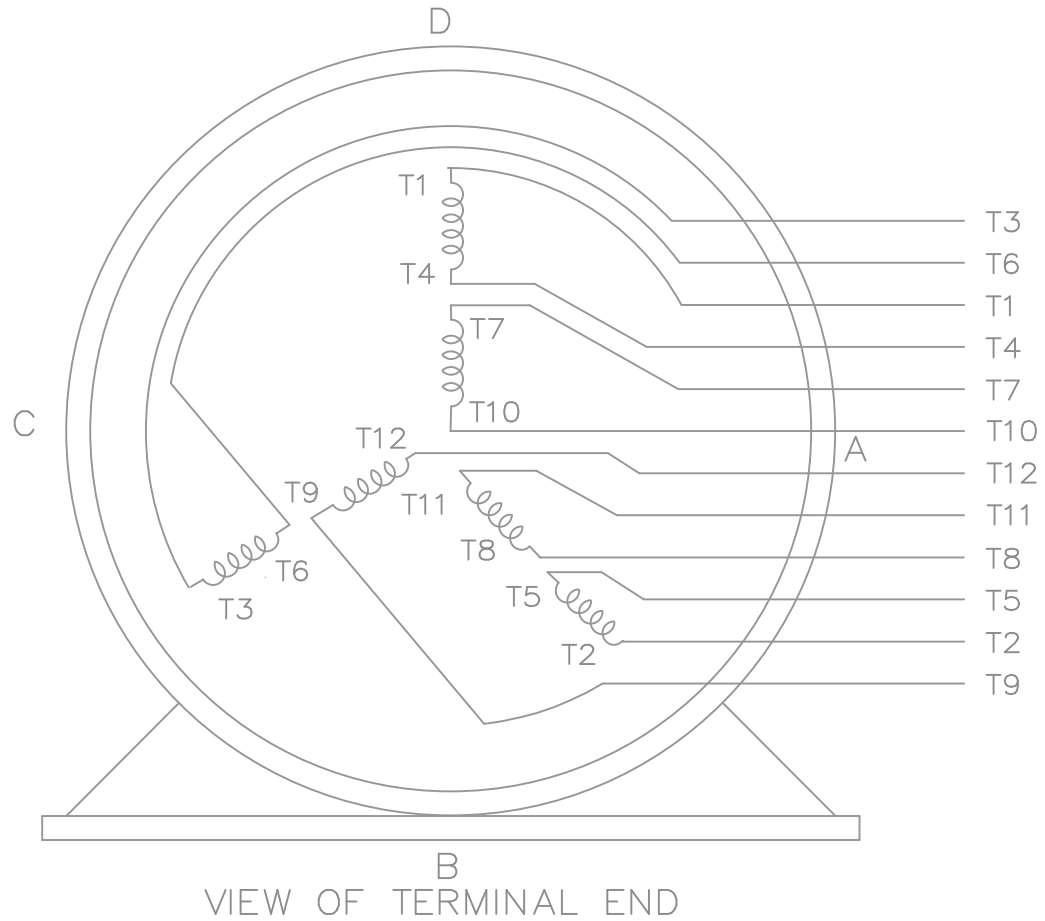
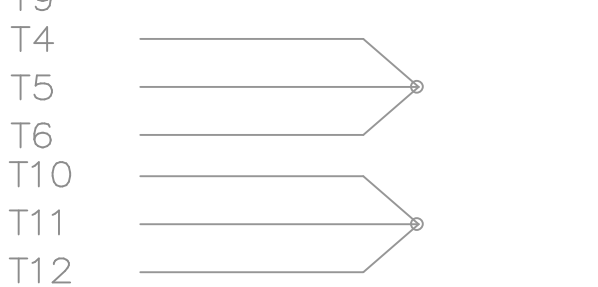
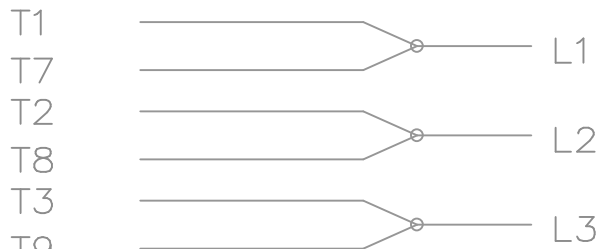
HIGH VOLTAGE


THREE PHASE  
DUAL VOLTAGE MOTOR

EE7308FT



LOW VOLTAGE



				TOLERANCES UNLESS SPECIFIED		 <b>REGAL-BELOIT CORPORATION</b>	DRAWN JJB 06-05-2007			
				DEC.	INCHES		CHK ML 06-05-2007			
				.X	± -		APPD BW 06-05-2007			
				.XX	± -	TITLE CONNECTION DIAGRAM 3Ø - DUAL VOLTAGE MOTOR	SCALE			
				.XXX	± -		REF			
1	NEW DRAWING	MU79979	JJB 06/05/2007	.XXXX	± -		MAT'L.	FMF		
NO.	REVISION		BY & DATE	CHK	ANG	FINISH	PREV			
THIS DRAWING IN DESIGN AND DETAIL IS OUR PROPERTY AND MUST NOT BE USED EXCEPT IN CONNECTION WITH OUR WORK ALL RIGHTS OF DESIGN AND INVENTION ARE RESERVED THIS IS AN ELECTRONICALLY GENERATED DOCUMENT - DO NOT SCALE THIS PRINT				RFP	CAD FILE EE7308FT		SIZE A	DRAWING NO. EE7308FT	PAGE OF	REV. 1
				DIST WA-LB-WP-LM						