

# PRODUCT INFORMATION PACKET

**marathon**<sup>®</sup>  
Motors

Model No: 284TTFCD6026-WX

Catalog No: 284TTFCD6026-WX

General Purpose Motor, 25 & 20 HP, 3 Ph, 60 & 50 Hz, 208-230/460 & 190/380 V, 1800 & 1500 RPM,  
284T Frame, TEFC

Regal and Marathon are trademarks of Regal Rexnord Corporation or one of its affiliated companies.  
©2023 Regal Rexnord Corporation, All Rights Reserved. MC017097E

**RegalRexnord**



### Nameplate Specifications

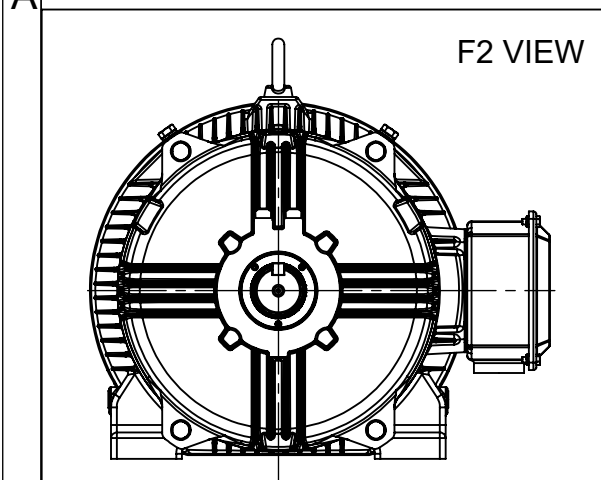
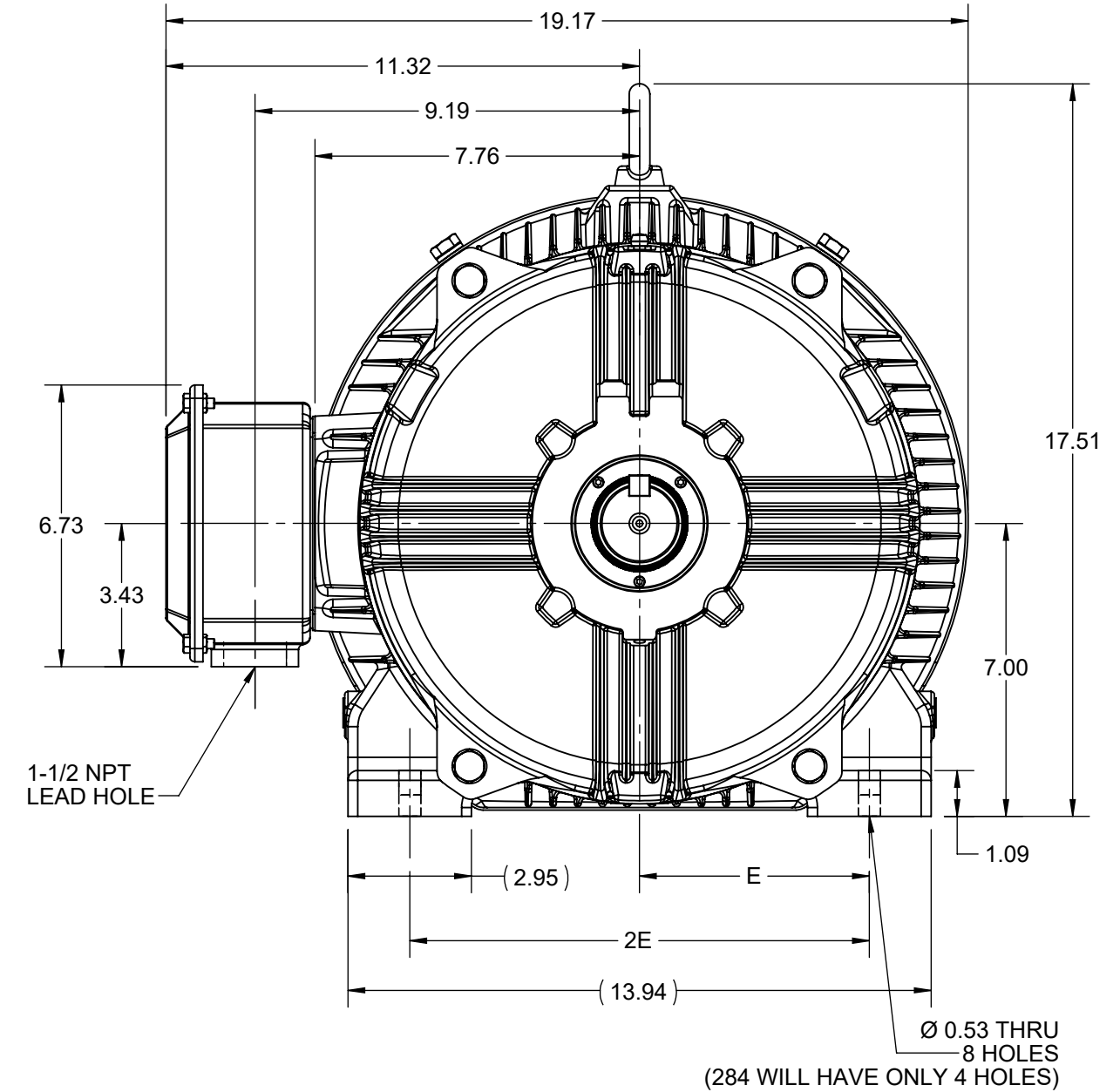
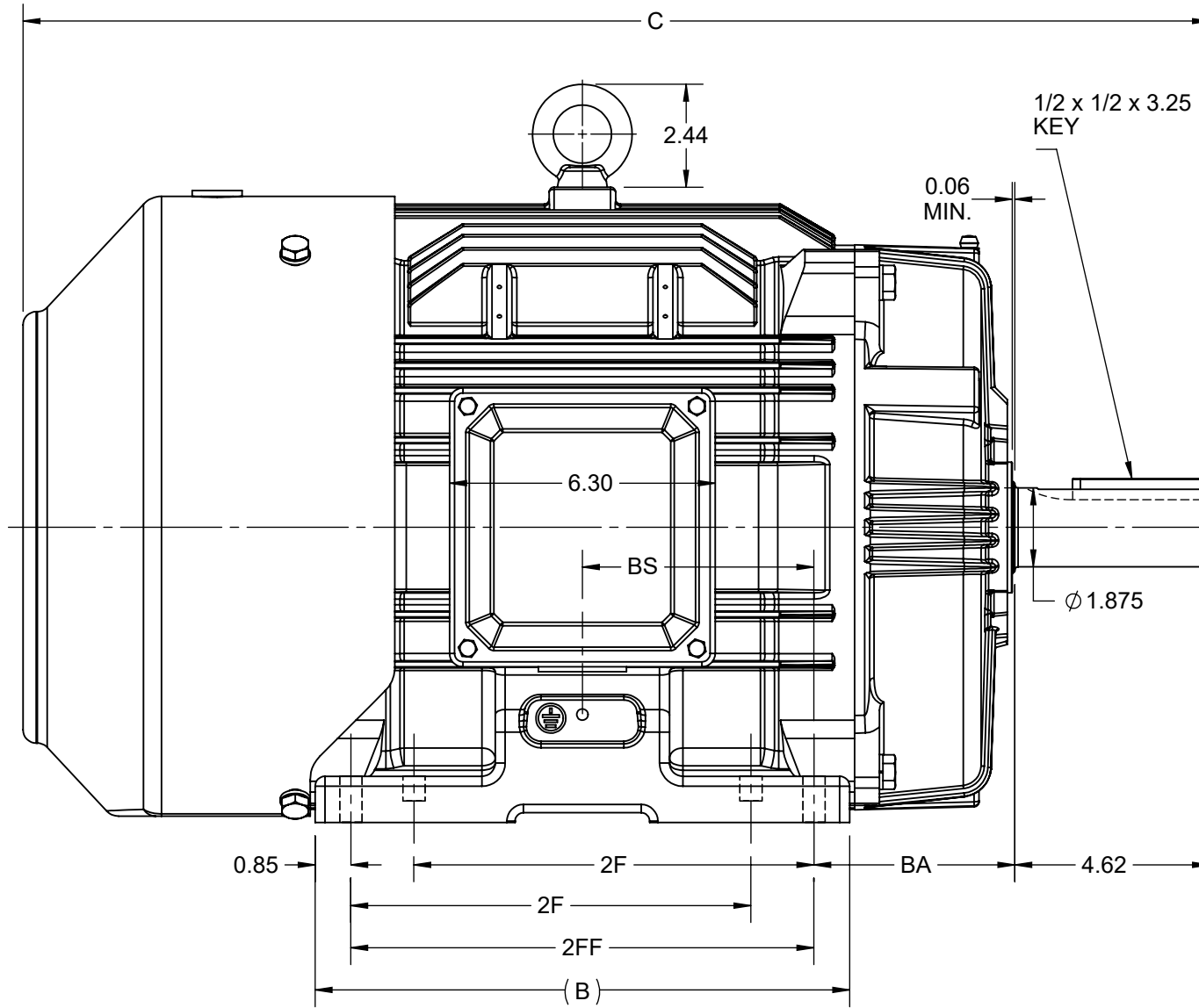
Phase	<b>3</b>	Output HP	<b>25 &amp; 20 Hp</b>
Output KW	<b>18.7 &amp; 14.9 kW</b>	Voltage	<b>208-230/460 &amp; 190/380 V</b>
Speed	<b>1772 &amp; 1475 rpm</b>	Service Factor	<b>1.15 &amp; 1.15</b>
Frame	<b>284T</b>	Enclosure	<b>Totally Enclosed Fan Cooled</b>
Thermal Protection	<b>No Protection</b>	Efficiency	<b>93.6 &amp; 92.7 %</b>
Ambient Temperature	<b>40 °C</b>	Frequency	<b>60 &amp; 50 Hz</b>
Current	<b>65-60/30 &amp; 58/29 A</b>	Power Factor	<b>83</b>
Duty	<b>Continuous</b>	Insulation Class	<b>F</b>
Design Code	<b>B</b>	KVA Code	<b>G</b>
Drive End Bearing Size	<b>6311</b>	Opp Drive End Bearing Size	<b>6211</b>
UL	<b>Listed</b>	CSA	<b>Y</b>
CE	<b>Y</b>	IP Code	<b>55</b>
Number of Speeds	<b>1</b>	Hazardous Location	<b>DIVISION 2 T2B</b>

### Technical Specifications

Electrical Type	<b>Squirrel Cage Inverter Rated</b>	Starting Method	<b>Part Wdg Start Low Volt Only &amp; Wye Start Delta Run Or Inverter</b>
Poles	<b>4</b>	Rotation	<b>Reversible</b>
Resistance Main	<b>.2988 Ohms</b>	Mounting	<b>Rigid Base</b>
Motor Orientation	<b>Horizontal</b>	Drive End Bearing	<b>Ball</b>
Opp Drive End Bearing	<b>Ball</b>	Frame Material	<b>Cast Iron</b>
Shaft Type	<b>T</b>	Shaft Diameter	<b>1.875 in</b>
Assembly/Box Mounting	<b>F1/F2 CAPABLE</b>	Inverter Load	<b>CONSTANT 10:1/VARIABLE 10:1</b>
Connection Drawing	<b>EE7308AA</b>	Outline Drawing	<b>SS620704-100</b>

This is an uncontrolled document once printed or downloaded and is subject to change without notice. Date Created:12/12/2023

DASH NO.	4				3				MOUNTING	FRAME
	B	C	E	2E	2F	2FF	BA	BS		
100	10.83	26.64	5.50	11.00	---	9.50	4.75	4.75	F1 OR F2	284T
200	12.68	28.14			9.50	11.00		5.50		284/286T



DRAWING REVISION C	REVISION BY VS	REV DATE/© DATE 27-10-2020
ECO CR-0000305	APPROVED BY GNK	DATE 27-10-2020
ECO DESCRIPTION <b>DRAWING UPDATED</b> COPYRIGHT (PER REVISION DATE) REGAL BELOIT AMERICA, INC. ALL RIGHTS RESERVED. PROPRIETARY AND CONFIDENTIAL INFORMATION - THIS DOCUMENT IS THE PROPERTY OF REGAL BELOIT AMERICA, INC. ("OWNER") AND CONTAINS OWNER'S PROPRIETARY INFORMATION. ANY PERSON, CORPORATION OR OTHER FIRM RECEIVING IT IS DEEMED, BY RECEIVING IT, TO AGREE THAT IT, AND/OR ANY PART OF IT, SHALL NOT BE DISCLOSED TO ANY PERSON, CORPORATION OR OTHER ENTITY, DUPLICATED, AND/OR USED, EXCEPT AS EXPRESSLY APPROVED IN WRITING IN ADVANCE BY OWNER. THIS DOCUMENT SHALL BE RETURNED TO OWNER UPON REQUEST. IT MAY BE SUBJECT TO CERTAIN RESTRICTIONS UNDER APPLICABLE EXPORT CONTROL LAWS AND REGULATIONS.		

PRIMARY DIMENSIONS ARE INCH  
mm DIMENSIONS IN [BRACKETS]  
ARE FOR REFERENCE ONLY

DRAWN BY MR	<b>REGAL</b> ® Regal Beloit America, Inc.
DATE 4/5/2015	
APPROVED BY KRK	DESCRIPTION <b>OUTLINE</b> 284/286T FR-TEFC-CAST IRON
DATE 4/5/2015	MATERIAL PROCESS/FINISH
REFERENCE	SIZE DRAWING NUMBER SHEET
THIRD ANGLE PROJECTION	B SS620704 1 OF 1



### LOW VOLTAGE



### HIGH VOLTAGE



### VIEW OF TERMINAL END

DRAWING REVISION <b>K</b>	REVISION BY <b>AJW</b>	DATE <b>07-17-2015</b>
ECO <b>ECO-0081632</b>	APPROVED BY <b>T. VUE</b>	DATE <b>07-17-2015</b>
ECO DESCRIPTION <b>REV'D IEC MARKINGS PER IEC 60034-8</b>		
<small>COPYRIGHT REGAL BELOIT AMERICA, INC. ALL RIGHTS RESERVED.                  PROPRIETARY AND CONFIDENTIAL INFORMATION - THIS DOCUMENT IS THE PROPERTY OF                  REGAL BELOIT AMERICA, INC. ("OWNER") AND CONTAINS OWNER'S PROPRIETARY                  INFORMATION. ANY PERSON, CORPORATION OR OTHER FIRM RECEIVING IT IS DEEMED,                  BY RECEIVING IT, TO AGREE THAT IT, AND/OR ANY PART OF IT, SHALL NOT BE DISCLOSED                  TO ANY PERSON, CORPORATION OR OTHER ENTITY, DUPLICATED, AND/OR USED, EXCEPT                  AS EXPRESSLY APPROVED IN WRITING IN ADVANCE BY OWNER. THIS DOCUMENT SHALL                  BE RETURNED TO OWNER UPON REQUEST. IT MAY BE SUBJECT TO CERTAIN                  RESTRICTIONS UNDER APPLICABLE EXPORT CONTROL LAWS AND REGULATIONS.</small>		



DRAWN BY <b>LZ</b>	<b>Regal Beloit America, Inc.</b>	
DATE <b>01-12-1994</b>		
APPROVED BY <b>GK</b>	DESCRIPTION <b>CONN DIAGRAM-EXTERNAL</b>	
DATE <b>01-14-1994</b>	<b>3Ø-2/1 DELTA-12 LEADS</b>	
REFERENCE	MATERIAL	PROCESS/FINISH
THIRD ANGLE PROJECTION	SIZE <b>A</b>	DRAWING NUMBER <b>EE7308AA</b>
		SHEET <b>1 OF 1</b>

Data Sheet

Date: 5/2/2023  
 Customer: \_\_\_\_\_  
 Attention: \_\_\_\_\_  
 Submitted by: RAMYA



284TFC6026-WX

Submittal

Data @ 460 V

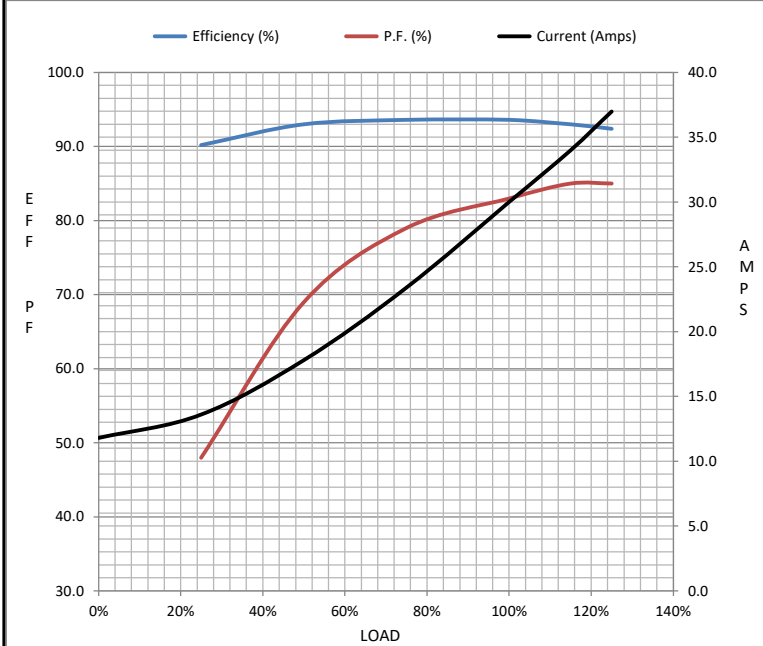
Motor Load Data

Load	0%	25%	50%	75%	100%	115%	125%	LR
Current (Amps)	11.8	13.6	17.8	23.4	30.0	34.0	37.0	182
Torque (ft-lb)	0.00	18.3	36.7	55.2	74.0	85.2	93.0	150
RPM	1800	1795	1788	1782	1772	1,768	1765	0
Efficiency (%)		90.2	93.0	93.6	93.6	93.0	92.4	
P.F. (%)	4.5	48.0	69.0	79.0	83.0	85.0	85.0	36.0

Motor Speed Data

	LR	Pull-Up	BD	Rated	Idle
Speed (RPM)	0	900	1650	1772	1800
Current (Amps)	182	150	110	30.0	11.8
Torque (ft-lb)	150	118	230	74.0	0.00

Information Block				
HP	25.0			
Sync. RPM	1800			
Frame	284			
Enclosure	TEFC			
Construction	TFC			
Voltage	208-230/460#190/380 V			
Frequency	60 Hz			
Design	B			
LR Code letter	G			
Service Factor	1.15			
Temp Rise @ FL	60 ° C			
Duty	CONT			
Ambient	40 ° C			
Elevation	3,300 feet			
Rotor/Shaft wk <sup>2</sup>	4.8 Lb-F <sup>2</sup>			
Ref Wdg	HA31804014 NONE			
Sound Pressure @ 1M	75 dBA			
VFD Rating	CONSTANT 10:1/VARIABLE 10:1			
Outline Dwg				
Conn. Diag	EE7308AA			
Additional Specifications:				
0				
0				
EQUIV CKT (OHMS / PHASE)				
R1	R2	X1	X2	Xm
0.2000	0.1250	0.7420	0.9720	19.4360



Speed - Torque Curve

