

PRODUCT INFORMATION PACKET

marathon[®]
Motors

Model No: 284TTFC4076

Catalog No: E978

Other Purpose Motor, 15 & 10 HP, 3 Ph, 60 & 50 Hz, 208-230/460 & 190/380 V, 1200 & 1000 RPM,
284T Frame, TEFC

Regal and Marathon are trademarks of Regal Rexnord Corporation or one of its affiliated companies.

©2023 Regal Rexnord Corporation, All Rights Reserved. MC017097E

RegalRexnord

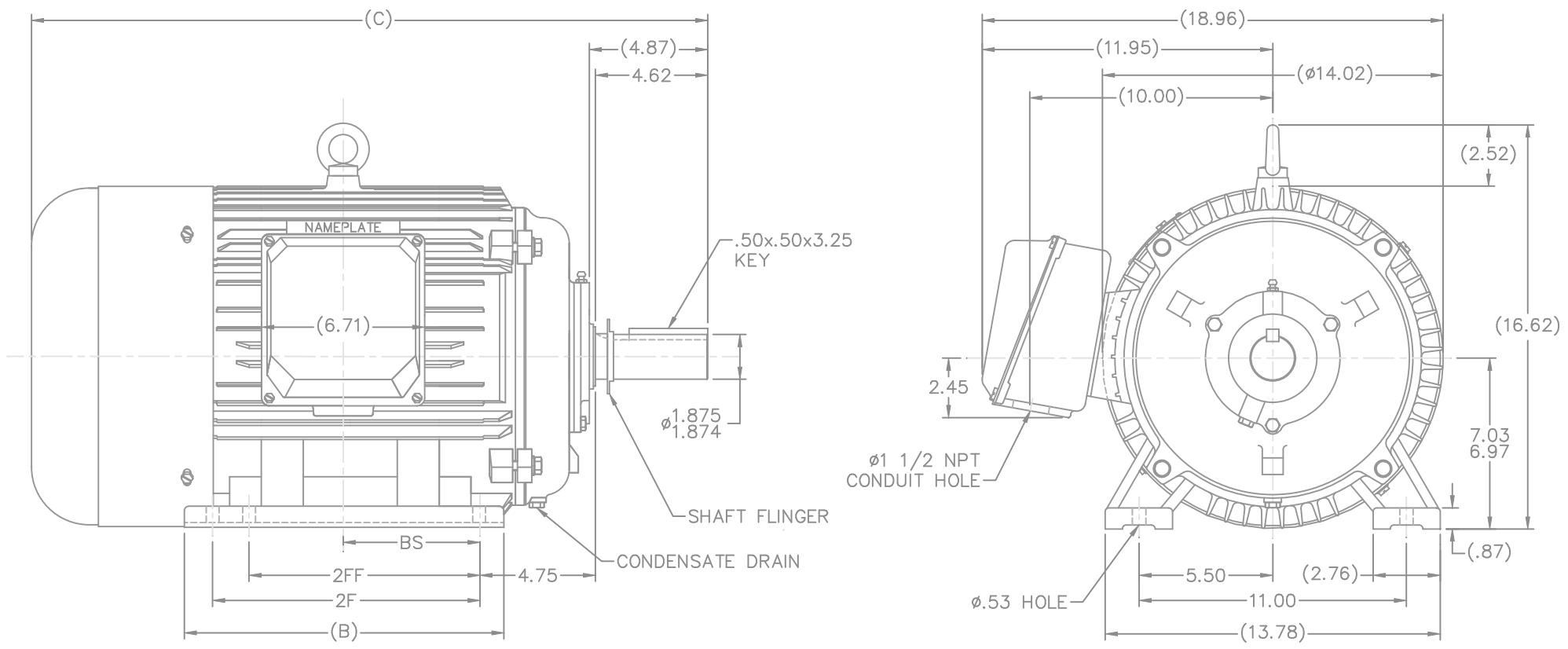
Nameplate Specifications

Phase	3	Output HP	15 & 10 Hp
Output KW	11.2 & 11.0 kW	Voltage	208-230/460 & 190/380 V
Speed	1180 & 975 rpm	Service Factor	1.15 & 1.15
Frame	284T	Enclosure	Totally Enclosed Fan Cooled
Thermal Protection	No Protection	Efficiency	90.2 & 87.5 %
Ambient Temperature	40 °C	Frequency	60 & 50 Hz
Current	44.7 - 40.4/20.2 & 47.0/23.5 A	Power Factor	77.1
Duty	Continuous	Insulation Class	F
Design Code	B	KVA Code	G
Drive End Bearing Size	6311	Opp Drive End Bearing Size	6309
UL	Recognized	CSA	Y
CE	Y	IP Code	43
Number of Speeds	1		

Technical Specifications

Electrical Type	Squirrel Cage Induction Run	Starting Method	Across The Line
Poles	6	Rotation	Reversible
Mounting	Rigid Base	Motor Orientation	Horizontal
Drive End Bearing	Ball	Opp Drive End Bearing	Ball
Frame Material	Cast Iron	Shaft Type	T
Overall Length	27.83 in	Shaft Diameter	1.875 in
Shaft Extension	4.87 in	Assembly/Box Mounting	F1/F2 CAPABLE
Connection Drawing	A-EE7308K	Outline Drawing	16953960ME-284T

This is an uncontrolled document once printed or downloaded and is subject to change without notice. Date Created:06/22/2023



NOTE: 286T HAS 6 MTG. HOLES, USING 284T AND 286T LOCATIONS

DASH	FRAME	C	B	BS	2F	2FF
1248	284T	26.26	11.61	4.90	--	9.50
1398	286T	27.83	13.11	5.68	11.00	9.50

		TOLERANCES UNLESS SPECIFIED		DRAWN	
		DEC.	INCHES	TJB 05-29-2003	
		.X	±.1	CHK	ML 05-29-2003
		.XX	±.03	APPD	GK 05-29-2003
		.XXX	±.005	SCALE	1=4
		.XXXX	±.0005	REF	
		CHK	ANG ±7'30"	FMF	
		RFP		PREV	
1 NEW DRAWING		TJB 05-29-2003		CAD FILE 16953960me	
NO. REVISION		BY & DATE		SIZE	DRAWING NO. PAGE OF REV.
				B	169539-60ME 1
<p>THIS DRAWING IN DESIGN AND DETAIL IS OUR PROPERTY AND MUST NOT BE USED EXCEPT IN CONNECTION WITH OUR WORK. ALL RIGHTS OF DESIGN AND INVENTION ARE RESERVED. THIS IS AN ELECTRONICALLY GENERATED DOCUMENT - DO NOT SCALE THIS PRINT</p>					



TITLE OUTLINE - RIGID
280T FR. - TEFC

LOW VOLTAGE



HIGH VOLTAGE



VIEW OF TERMINAL END

				TOLERANCES UNLESS SPECIFIED		 REGAL - BELOIT CORPORATION	DRAWN PGK 06-04-1997			
NO.	REVISION	BY & DATE	CHK	ANG	±		UNIT	CHK	ML 06-05-1997	
E	CORRECTED IEC MARKINGS ECD-0111208	WGJ 01-23-2017	EMH	DEC.		INCHES				
D	RE-DRAWN WITH REGAL LOGO ECD-0110493	WGJ 09-30-2016	EMH	.X	±.1			APPD GK 06-15-1997		
8	ADDED IEC DESIGNATIONS MU95020	TJW 4/30/2010	MJS	.XX	±.02		TITLE	SCALE		
7	REVISD HIGH VOLTAGE L2 WAS L3 CN52600-354	MRB 09-21-1998		.XXX	±.005		CONNECTION DIAGRAM	REF		
6	REDRAWN ON CADD	PGK 06-05-1997		.XXXX	±.0005		DELTA CON. - 3Ø - 9 LEADS	FMF		
					±7'30"		MAT'L.	PREV		
			RFP				FINISH			
THIS DRAWING IN DESIGN AND DETAIL IS OUR PROPERTY AND MUST NOT BE USED EXCEPT IN CONNECTION WITH OUR WORK ALL RIGHTS OF DESIGN AND INVENTION ARE RESERVED THIS IS AN ELECTRONICALLY GENERATED DOCUMENT - DO NOT SCALE THIS PRINT							CAD FILE EE7308K	SIZE	DRAWING NO. PAGE OF	REV.
							A	EE7308K	E	