

# PRODUCT INFORMATION PACKET

Model No: 284TTDP7205

Catalog No: Y472

Other Purpose Motor, 15 & 3.75 HP, 3 Ph, 60 & 60 Hz, 460 & 460 V, 1800 & 1800 RPM, 284T Frame, DP



Regal and Marathon are trademarks of Regal Rexnord Corporation or one of its affiliated companies.

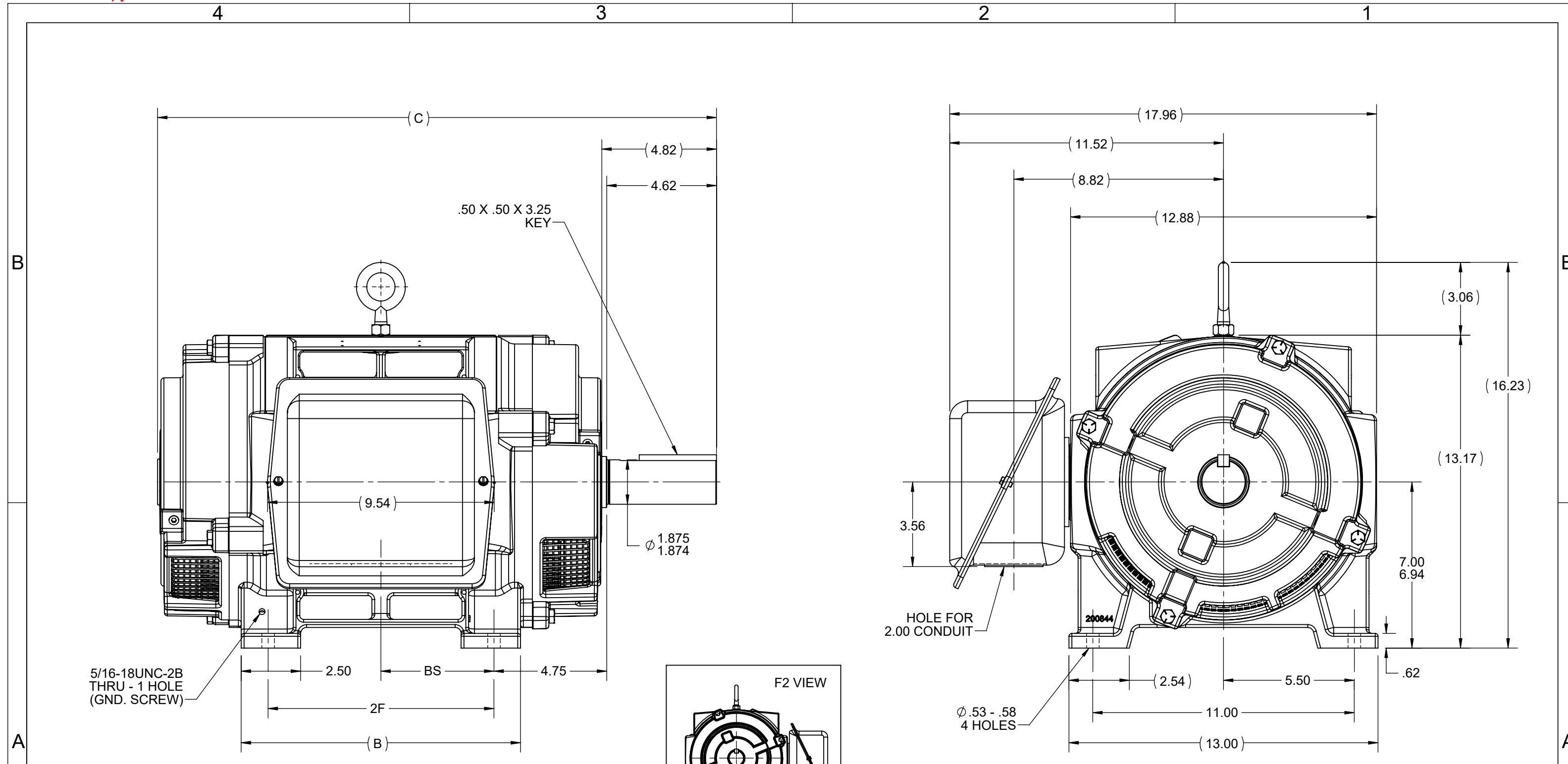
©2023 Regal Rexnord Corporation, All Rights Reserved. MC017097E

### Nameplate Specifications

Phase	<b>3</b>	Output HP	<b>15 &amp; 3.75 Hp</b>
Output KW	<b>11.2 &amp; 2.8 kW</b>	Voltage	<b>460 &amp; 460 V</b>
Speed	<b>1775 &amp; 885 rpm</b>	Service Factor	<b>1.15 &amp; 1.15</b>
Frame	<b>284T</b>	Enclosure	<b>Drip Proof</b>
Thermal Protection	<b>No Protection</b>	Efficiency	<b>88.5 &amp; 81 %</b>
Ambient Temperature	<b>40 °C</b>	Frequency	<b>60 &amp; 60 Hz</b>
Current	<b>18 &amp; 6.5 A</b>	Power Factor	<b>88</b>
Duty	<b>Continuous</b>	Insulation Class	<b>B</b>
Design Code	<b>2VT</b>	KVA Code	<b>G</b>
Drive End Bearing Size	<b>6311</b>	Opp Drive End Bearing Size	<b>6210</b>
UL	<b>Recognized</b>	CSA	<b>Y</b>
CE	<b>Y</b>	IP Code	<b>12</b>
Number of Speeds	<b>2</b>		

### Technical Specifications

Electrical Type	<b>Squirrel Cage Induction Run</b>	Starting Method	<b>Across The Line</b>
Poles	<b>4//8</b>	Rotation	<b>Reversible</b>
Resistance Main	<b>1.055 Ohms</b>	Mounting	<b>Rigid Base</b>
Motor Orientation	<b>Horizontal</b>	Drive End Bearing	<b>Ball</b>
Opp Drive End Bearing	<b>Ball</b>	Frame Material	<b>Cast Iron</b>
Shaft Type	<b>T</b>	Overall Length	<b>23.49 in</b>
Frame Length	<b>12.75 in</b>	Shaft Diameter	<b>1.875 in</b>
Shaft Extension	<b>4.82 in</b>	Assembly/Box Mounting	<b>F1/F2 Capable</b>
Connection Drawing	<b>A-EE7317</b>	Outline Drawing	<b>B-SS200030-1275</b>

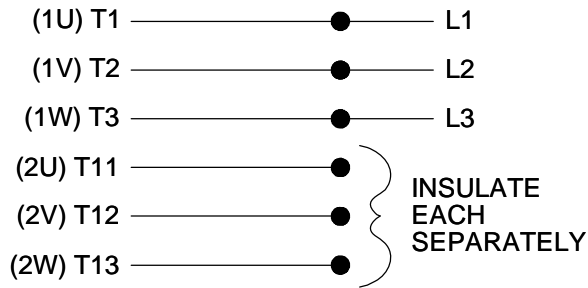


- NOTES**
1. BOX CAN BE ROTATED IN 90° STEPS
  2. BOX CAN BE MOUNTED ON OPPOSITE SIDE BY REMOVING BRACKETS AND TURNING FRAME 180°
  3. NAMEPLATE TO BE READ FROM CONDUIT BOX SIDE OF MOTOR.

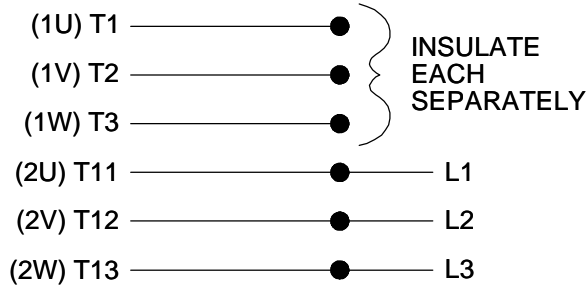
DASH	FRAME	B	C	2F	BS
1275	284T	11.75	23.49	9.50	4.75
1425	286T	13.25	24.99	11.00	5.50

DRAWING REVISION P	REVISION BY KR	REV DATE/© DATE 09/13/2022	TOLERANCES (EXCEPT AS NOTED): DEC. INCH mm ANGLE		DRAWN BY JL	Regal Beloit America, Inc.		
REQUEST NUMBER NMR-0216346	APPROVED BY VT	DATE 09/13/2022	.X ±0.1 [±3] ±7° 30"	.XX ±0.03 [±0.8]	DATE 11-17-1987			
REQUEST NUMBER DESCRIPTION UPDATED DRAWING AS PER SOLIDWORK STANDARDS			.XXX ±0.005 [±0.13]	.XXXX ±0.0005 [±0.013]	APPROVED BY LS	DESCRIPTION <b>OUTLINE</b>		
<small>COPYRIGHT (PER REVISION DATE) REGAL BELOIT AMERICA, INC. ALL RIGHTS RESERVED. PROPRIETARY AND CONFIDENTIAL INFORMATION - THIS DOCUMENT IS THE PROPERTY OF REGAL BELOIT AMERICA, INC. ("OWNER") AND CONTAINS OWNER'S PROPRIETARY INFORMATION. ANY PERSON, CORPORATION OR OTHER FIRM RECEIVING IT IS DEEMED, BY RECEIVING IT, TO AGREE THAT IT, AND/OR ANY PART OF IT, SHALL NOT BE DISCLOSED TO ANY PERSON, CORPORATION OR OTHER ENTITY, DUPLICATED, AND/OR USED, EXCEPT AS EXPRESSLY APPROVED IN WRITING IN ADVANCE BY OWNER. THIS DOCUMENT SHALL BE RETURNED TO OWNER UPON REQUEST. IT MAY BE SUBJECT TO CERTAIN RESTRICTIONS UNDER APPLICABLE EXPORT CONTROL LAWS AND REGULATIONS.</small>			REMOVE BURRS & BREAK SHARP EDGES: .003/.015 [.08/.38] X 45° CORNER FILLETS: R.02 [.5] MACHINED SURFACES: 200 $\sqrt$ INCH $\sqrt$ mm 5.1 mm DIMENSIONS IN [BRACKETS] ARE FOR REFERENCE ONLY		DATE 11-25-1987	DR. PR. - CAST IRON - 280T FR. - TS		
					REFERENCE	MATERIAL	PROCESS/FINISH	
					THIRD ANGLE PROJECTION	SIZE B	DRAWING NUMBER SS200030	SHEET 1 OF 1

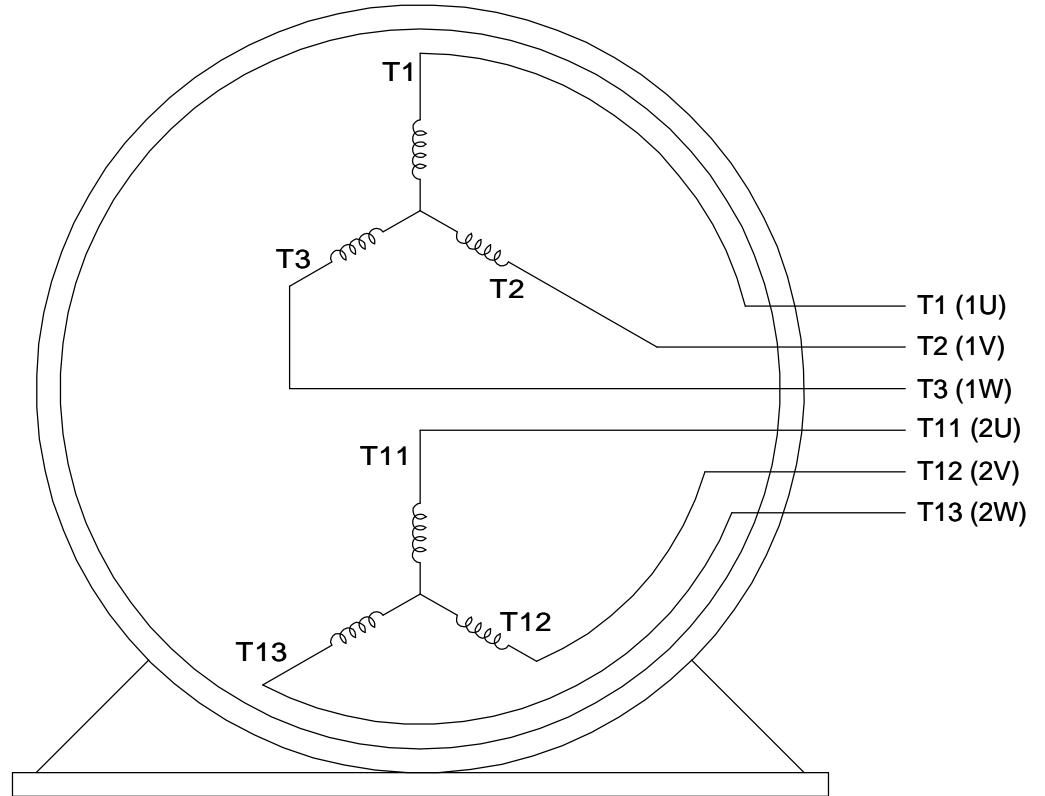
LOW SPEED



HIGHSPEED



**THREE PHASE, SINGLE VOLT, 6 LEAD  
2 SPEED REVERSIBLE MOTOR**



VIEW OF TERMINAL END

TO REVERSE ROTATION ON  
EITHER SPEED: INTERCHANGE  
ANY 2 LEADS ON THE  
WINDING IN USE.

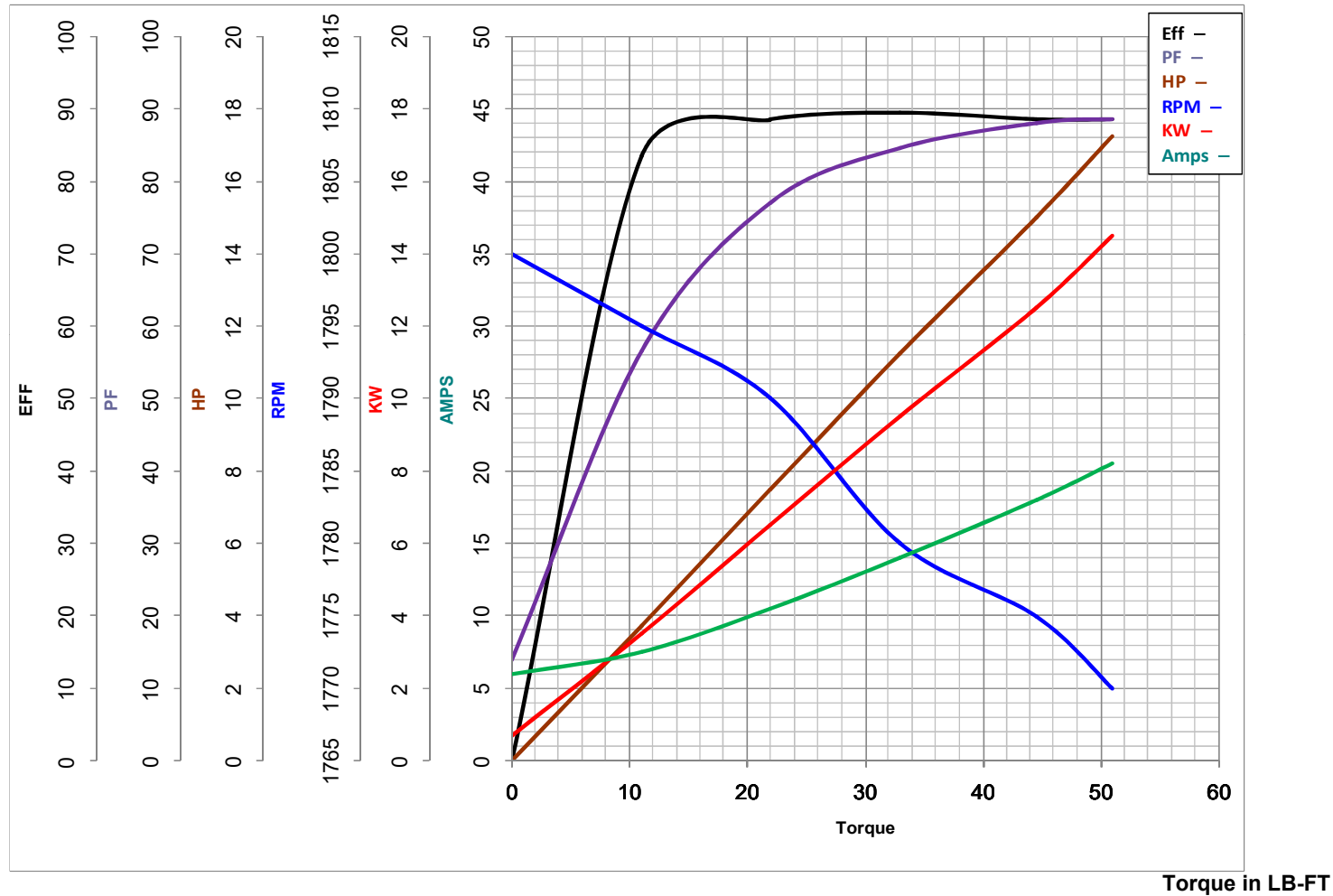
DRAWING REVISION <b>C</b>	REVISION BY <b>JJB</b>	DATE <b>10-25-2017</b>		DRAWN BY <b>LZ</b>	<b>Regal Beloit America, Inc.</b>
ECO <b>ECO-0132917</b>	APPROVED BY <b>TLB</b>	DATE <b>10-30-2017</b>		DATE <b>01-05-1994</b>	
ECO DESCRIPTION <b>REVISED PER ECO &amp; UPDATED TO STANDARDS</b>				APPROVED BY <b>GK</b>	DESCRIPTION <b>CONN DIAGRAM-INTERNAL</b>
<small>COPYRIGHT REGAL BELOIT AMERICA, INC. ALL RIGHTS RESERVED. PROPRIETARY AND CONFIDENTIAL INFORMATION - THIS DOCUMENT IS THE PROPERTY OF REGAL BELOIT AMERICA, INC. ("OWNER") AND CONTAINS OWNER'S PROPRIETARY INFORMATION. ANY PERSON, CORPORATION OR OTHER FIRM RECEIVING IT IS DEEMED, BY RECEIVING IT, TO AGREE THAT IT, AND/OR ANY PART OF IT, SHALL NOT BE DISCLOSED TO ANY PERSON, CORPORATION OR OTHER ENTITY, DUPLICATED, AND/OR USED, EXCEPT AS EXPRESSLY APPROVED IN WRITING IN ADVANCE BY OWNER. THIS DOCUMENT SHALL BE RETURNED TO OWNER UPON REQUEST. IT MAY BE SUBJECT TO CERTAIN RESTRICTIONS UNDER APPLICABLE EXPORT CONTROL LAWS AND REGULATIONS.</small>				DATE <b>01-17-1994</b>	<b>3 PHASE - SINGLE - 2 SPEED REVERSIBLE</b>
			REFERENCE	MATERIAL	PROCESS/FINISH
			THIRD ANGLE PROJECTION	SIZE <b>A</b>	DRAWING NUMBER <b>EE7317</b>





**MARATHON ELECTRIC CORPORATION**  
TYPICAL PERFORMANCE CURVE for AC MOTOR

Customer \_\_\_\_\_ Curve at 460 Volts HP 15&3.75 PHASE 3  
 Model No 284TTDP7205 60 HZ  
15 HP VOLTS 460&460  
 Catalog No Y472 HZ 60&60 RPM 1775&885



FL TORQUE	<u>44.5</u>	LB-FT	FL AMPS	<u>18</u>
BD TORQUE	<u>120.0</u>	LB-FT	PU TORQUE	<u>60.0</u>
LR TORQUE	<u>66</u>	LB-FT	LR AMPS	<u>114</u>
WINDING	<u>256(4-8)65-2</u>		Date	<u>1/17/2019</u>