

PRODUCT INFORMATION PACKET

Model No: 284TTDBD7205

Catalog No: Y472A

Multispeed Motor, 15 & 3.75 HP, 3 Ph, 60 & 60 Hz, 460 & 460 V, 1800 & 1800 RPM, 284T Frame, DP



Regal and Marathon are trademarks of Regal Rexnord Corporation or one of its affiliated companies.

©2023 Regal Rexnord Corporation, All Rights Reserved. MC017097E

Nameplate Specifications

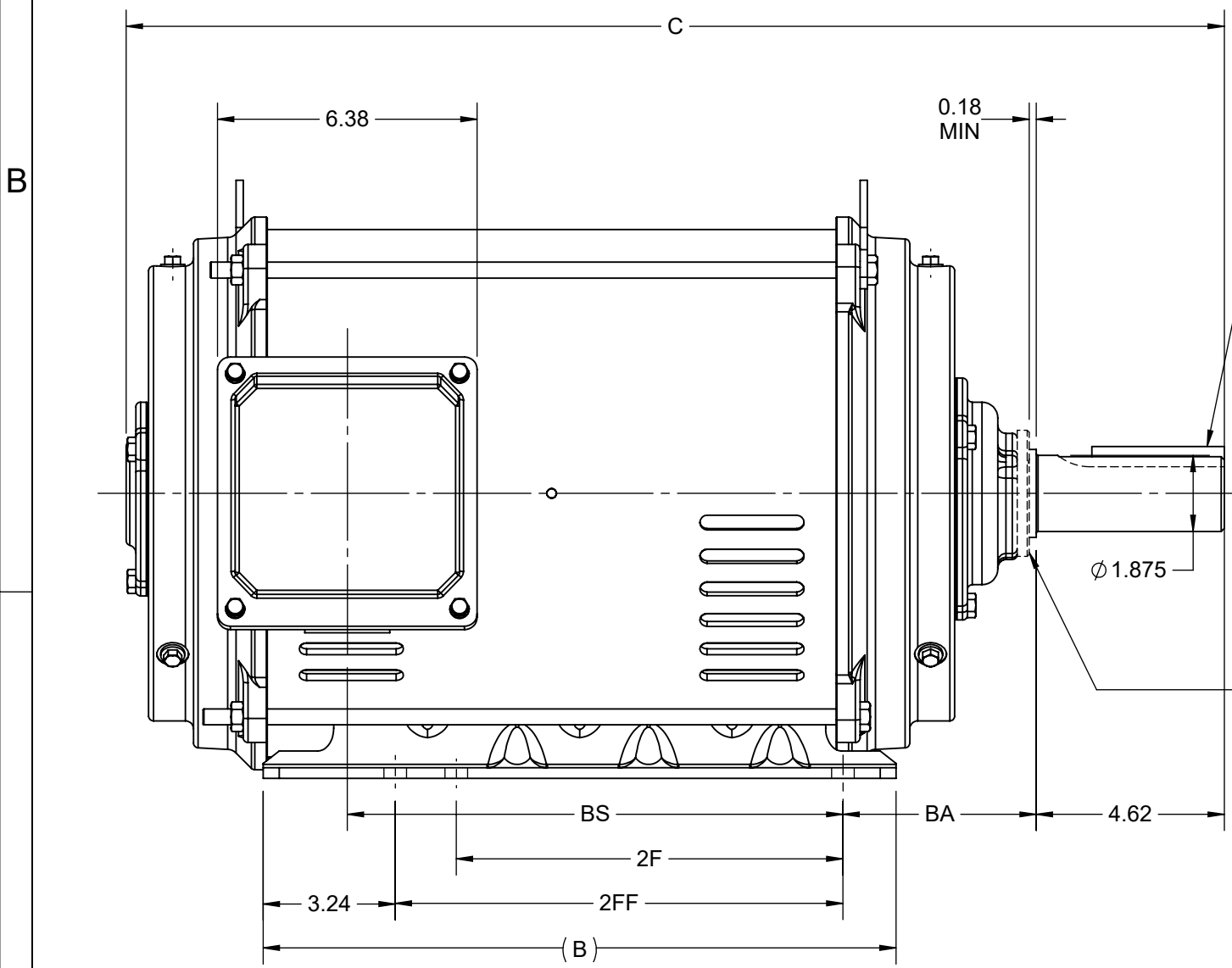
Phase	3	Output HP	15 & 3.75 Hp
Output KW	11.2 & 2.8 kW	Voltage	460 & 460 V
Speed	1780 & 885 rpm	Service Factor	1.15 & 1.15
Frame	284T	Enclosure	Drip Proof
Thermal Protection	No Protection	Efficiency	89.5 & 81.5 %
Ambient Temperature	40 °C	Frequency	60 & 60 Hz
Current	18.5 & 7.5 A	Power Factor	81
Duty	Continuous	Insulation Class	F
Design Code	2VT	KVA Code	H
Drive End Bearing Size	6311	Opp Drive End Bearing Size	6210
UL	Recognized	CSA	Y
CE	Y	IP Code	22
Number of Speeds	2		

Technical Specifications

Electrical Type	Squirrel Cage Induction Run	Starting Method	Across The Line
Poles	4//8	Rotation	Reversible
Resistance Main	.8403 Ohms	Mounting	Rigid Base
Motor Orientation	Horizontal	Drive End Bearing	Ball
Opp Drive End Bearing	Ball	Frame Material	Rolled Steel
Shaft Type	T	Shaft Diameter	1.875 in
Assembly/Box Mounting	F1/F2 CAPABLE		
Outline Drawing	SS620687-100	Connection Drawing	EE7317

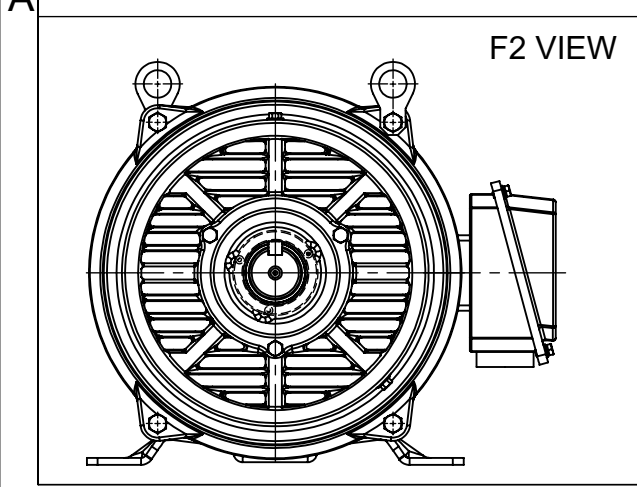
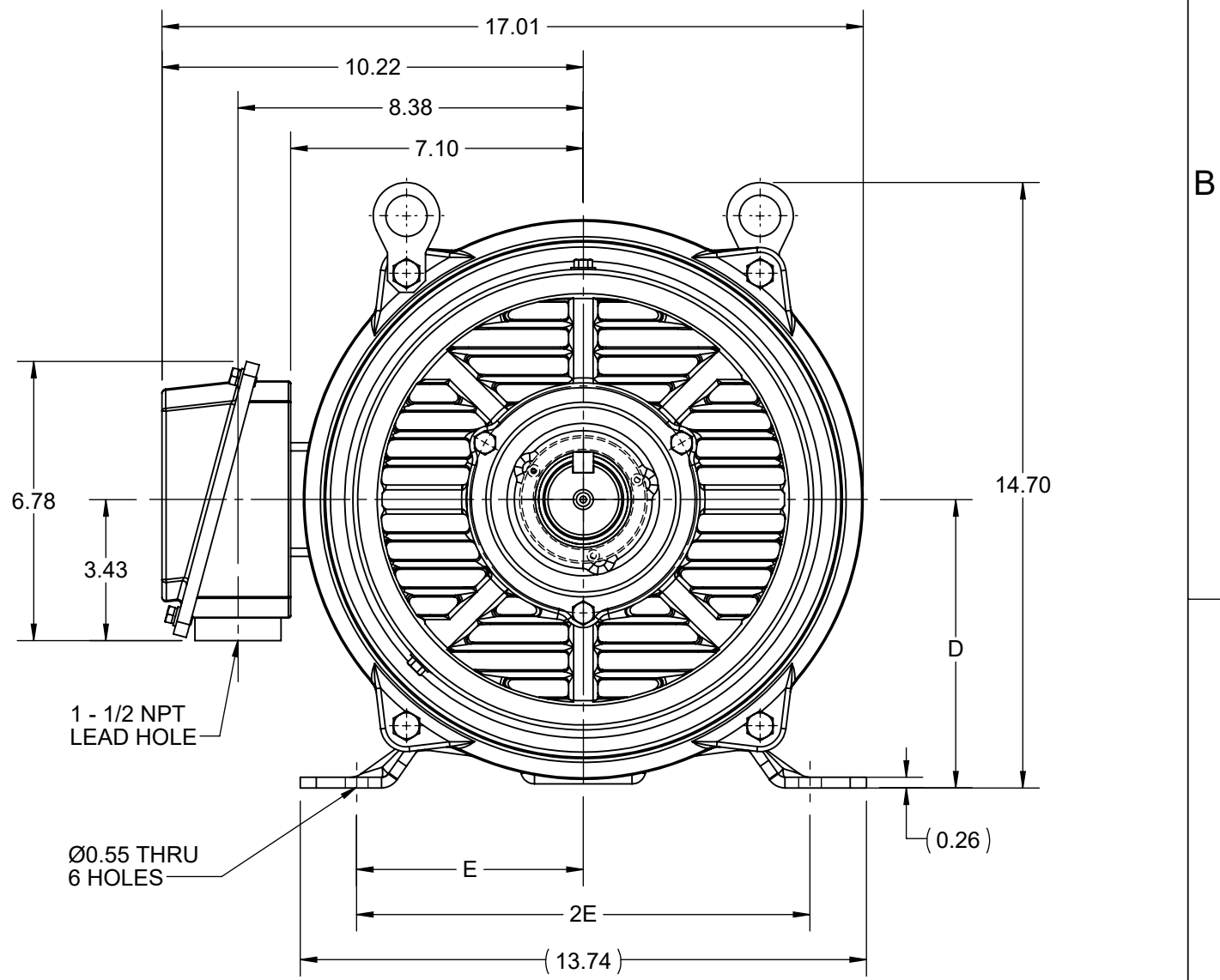
This is an uncontrolled document once printed or downloaded and is subject to change without notice. Date Created:06/23/2023

4				3				2		1	
DASH NO.	B	C	D	E	2E	2F	2FF	BA	BS	MOUNTING	FRAME
100	15.55	25.60	7.00	5.50	11.00	9.50	11.00	4.75	10.80	F1 OR F2	284T
200		26.98							12.18		286T



1/2 x 1/2 x 3.25 KEY

WHEN BEARING CURRENT PROTECTOR EXIST

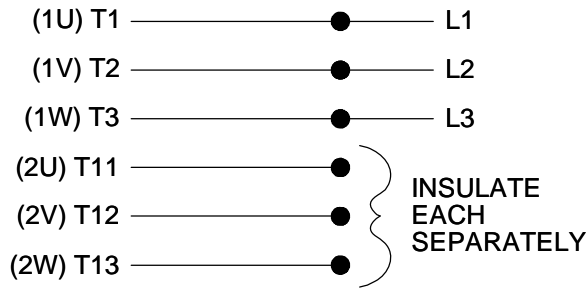


DRAWING REVISION E	REVISION BY GOPI J	REV DATE/© DATE 01/02/2022
REQUEST NUMBER CR-0006669	APPROVED BY SBD	DATE 01/02/2022
REQUEST NUMBER DESCRIPTION VIEWS UPDATED AS PER 3D		
<small>COPYRIGHT (PER REVISION DATE) REGAL BELOIT AMERICA, INC. ALL RIGHTS RESERVED. PROPRIETARY AND CONFIDENTIAL INFORMATION - THIS DOCUMENT IS THE PROPERTY OF REGAL BELOIT AMERICA, INC. ("OWNER") AND CONTAINS OWNER'S PROPRIETARY INFORMATION. ANY PERSON, CORPORATION OR OTHER FIRM RECEIVING IT IS DEEMED, BY RECEIVING IT, TO AGREE THAT IT, AND/OR ANY PART OF IT, SHALL NOT BE DISCLOSED TO ANY PERSON, CORPORATION OR OTHER ENTITY, DUPLICATED, AND/OR USED, EXCEPT AS EXPRESSLY APPROVED IN WRITING IN ADVANCE BY OWNER. THIS DOCUMENT SHALL BE RETURNED TO OWNER UPON REQUEST. IT MAY BE SUBJECT TO CERTAIN RESTRICTIONS UNDER APPLICABLE EXPORT CONTROL LAWS AND REGULATIONS.</small>		

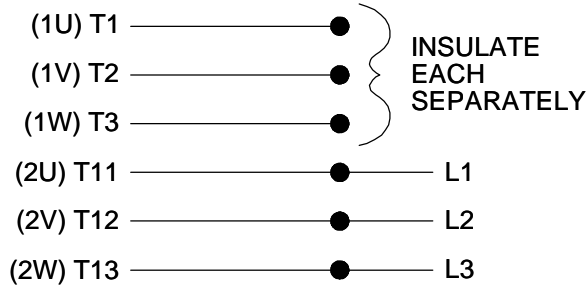
PRIMARY DIMENSIONS ARE INCH
mm DIMENSIONS IN [BRACKETS]
ARE FOR REFERENCE ONLY

DRAWN BY XZ	Regal Rexnord Regal Beloit America, Inc.	
DATE 17/04/2017	DESCRIPTION OUTLINE 284/286T FR NEMA ODP RS	
APPROVED BY	MATERIAL	PROCESS/FINISH
DATE	SIZE B	DRAWING NUMBER SS620687
REFERENCE	THIRD ANGLE PROJECTION	SHEET 1 OF 1

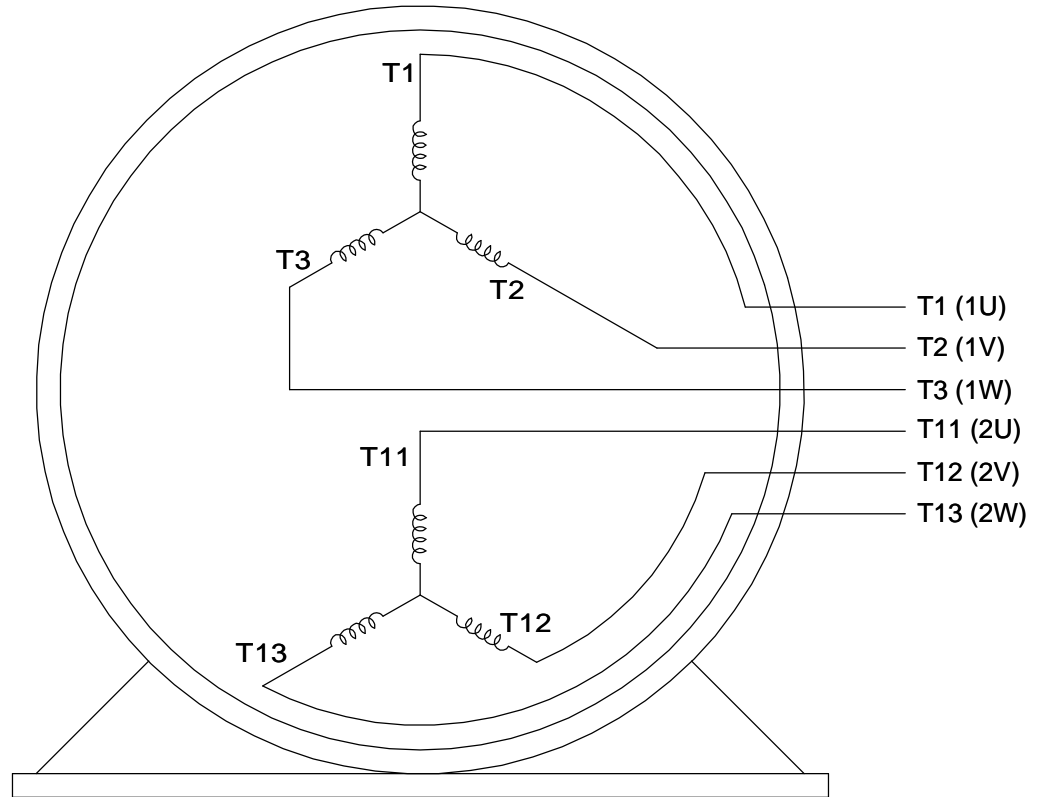
LOW SPEED



HIGHSPEED



**THREE PHASE, SINGLE VOLT, 6 LEAD
2 SPEED REVERSIBLE MOTOR**



VIEW OF TERMINAL END

TO REVERSE ROTATION ON
EITHER SPEED: INTERCHANGE
ANY 2 LEADS ON THE
WINDING IN USE.

DRAWING REVISION C	REVISION BY JJB	DATE 10-25-2017		DRAWN BY LZ	Regal Beloit America, Inc.
ECO ECO-0132917	APPROVED BY TLB	DATE 10-30-2017		DATE 01-05-1994	
ECO DESCRIPTION REVISED PER ECO & UPDATED TO STANDARDS				APPROVED BY GK	DESCRIPTION CONN DIAGRAM-INTERNAL
<small>COPYRIGHT REGAL BELOIT AMERICA, INC. ALL RIGHTS RESERVED. PROPRIETARY AND CONFIDENTIAL INFORMATION - THIS DOCUMENT IS THE PROPERTY OF REGAL BELOIT AMERICA, INC. ("OWNER") AND CONTAINS OWNER'S PROPRIETARY INFORMATION. ANY PERSON, CORPORATION OR OTHER FIRM RECEIVING IT IS DEEMED, BY RECEIVING IT, TO AGREE THAT IT, AND/OR ANY PART OF IT, SHALL NOT BE DISCLOSED TO ANY PERSON, CORPORATION OR OTHER ENTITY, DUPLICATED, AND/OR USED, EXCEPT AS EXPRESSLY APPROVED IN WRITING IN ADVANCE BY OWNER. THIS DOCUMENT SHALL BE RETURNED TO OWNER UPON REQUEST. IT MAY BE SUBJECT TO CERTAIN RESTRICTIONS UNDER APPLICABLE EXPORT CONTROL LAWS AND REGULATIONS.</small>				DATE 01-17-1994	3 PHASE - SINGLE - 2 SPEED REVERSIBLE
			REFERENCE	MATERIAL	PROCESS/FINISH
			THIRD ANGLE PROJECTION	SIZE A	DRAWING NUMBER EE7317

Data Sheet

Date: 12/15/2021
 Customer: _____
 Attention: _____
 Submitted by: SHERYL KUEHMICHEL



284TTDBD7205

Submittal

Data @ 460 V

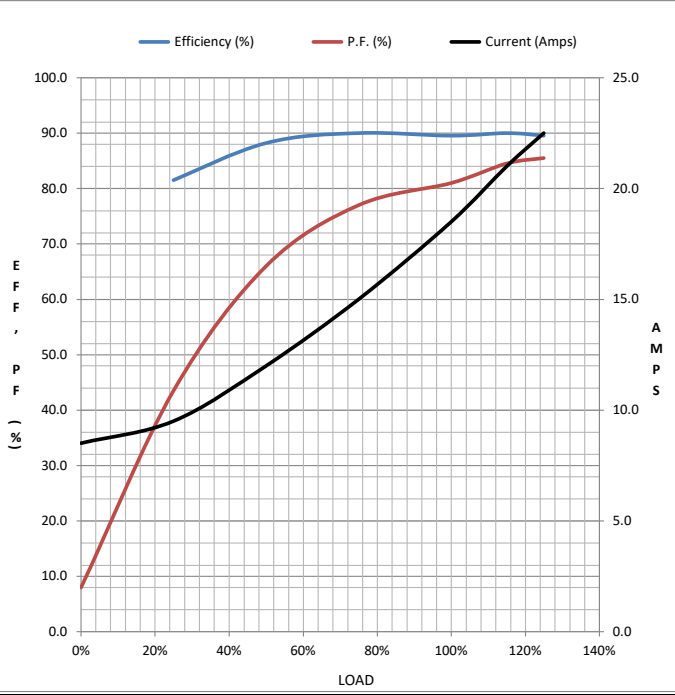
Motor Load Data

Load	0%	25%	50%	75%	100%	115%	125%	LR
Current (Amps)	8.5	9.5	12.0	15.0	18.5	21.0	22.5	126
Torque(ft-lb)	0.00	11.0	22.0	33.0	44.0	50.6	55.5	76.0
RPM	1800	1795	1790	1785	1780	1,775	1770	0
Efficiency (%)		81.5	88.2	90.0	89.5	90.0	89.5	
P.F. (%)	8.0	43.5	66.0	77.0	81.0	84.5	85.5	42

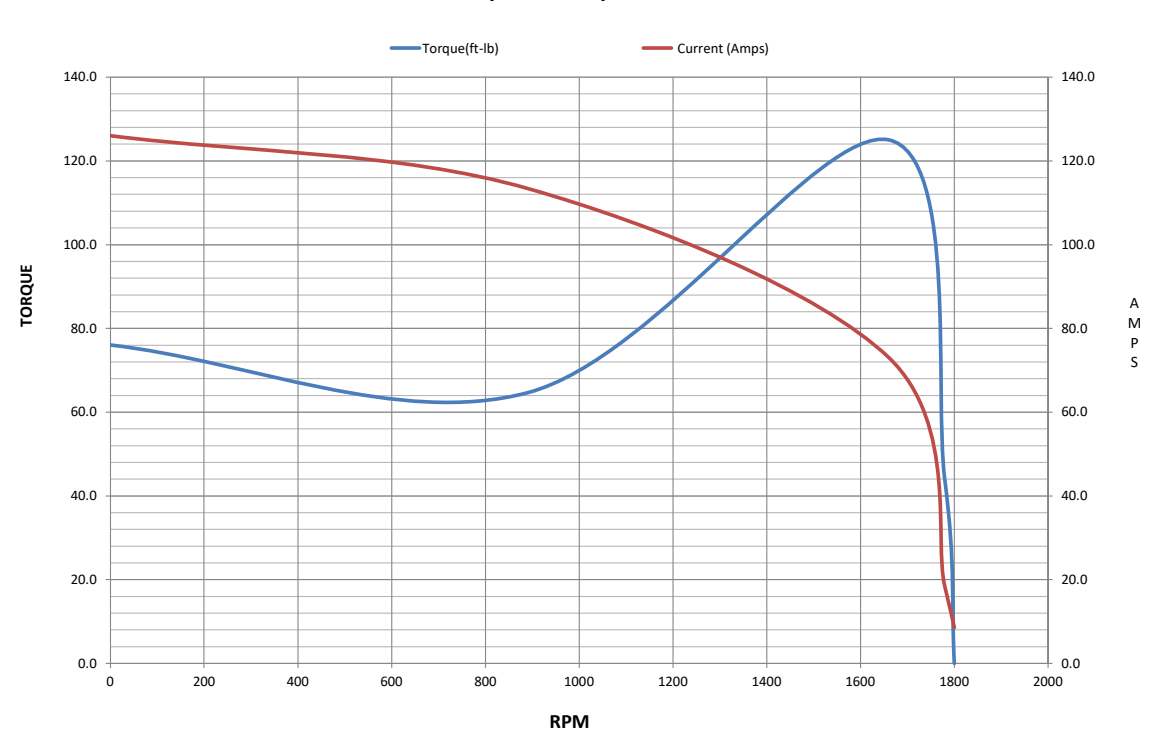
Motor Speed Data

	LR	Pull-Up	BD	Rated	Idle
Speed (RPM)	0	890	1660	1780	1800
Current (Amps)	126	113	73.0	18.5	8.5
Torque(ft-lb)	76.0	64.6	125	44.0	0.00

Information Block				
HP	15.0			
Sync. RPM	1800			
Frame	284T			
Enclosure	DP			
Construction	TDR			
Voltage	460 V			
Frequency	60 Hz			
Design	2VT			
LR Code letter	H			
Service Factor	1.15			
Temp Rise @ FL	70 °C			
Duty	CONT			
Ambient	40 °C			
Elevation	3,300 feet			
Rotor/Shaft wk ²	0.00 Lb-Ft ²			
Ref Wdg	HA3180(4-8)17 HS			
Sound Pressure @ 1M	65 dBA			
VFD Rating	NA			
Outline Dwg	SS620687-100			
Conn. Diag	EE7317			
Additional Specifications:				
CATALOG # Y472A				
HIGH SPEED PERFORMANCE				
0				
0				
EQUIV CKT (OHMS / PHASE)				
R1	R2	X1	X2	Xm
0.5238	0.1683	1.2688	1.2764	29.7060



Speed - Torque Curve



Data Sheet

Date: 12/15/2021
 Customer: _____
 Attention: _____
 Submitted by: SHERYL KUEHMICHEL



284TTDBD7205

Submittal

Data @ 460 V

Motor Load Data

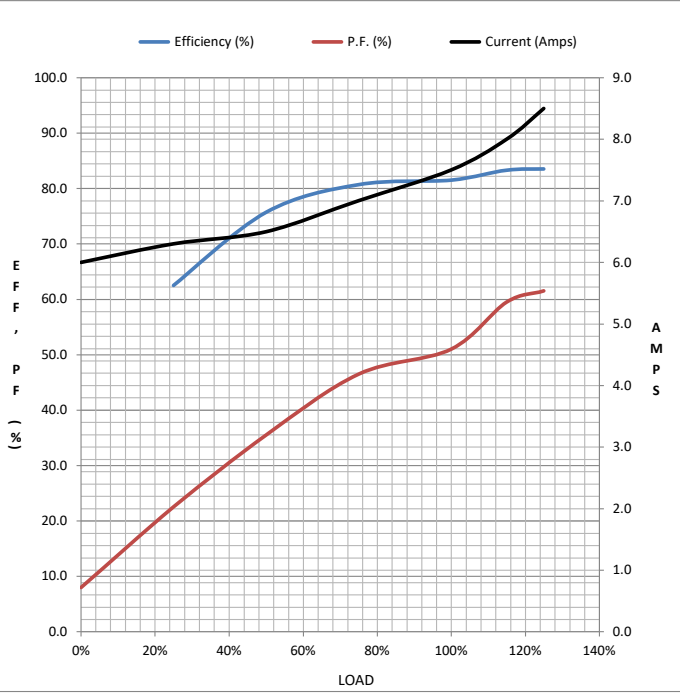
Load	0%	25%	50%	75%	100%	115%	125%	LR
Current (Amps)	6.0	6.3	6.5	7.0	7.5	8.0	8.5	31.5
Torque(ft-lb)	0.00	5.5	11.0	16.5	22.5	25.9	28.0	37.0
RPM	900	895	890	890	885	885	880	0
Efficiency (%)		62.5	75.7	80.7	81.5	83.3	83.5	
P.F. (%)	8.0	22.5	35.5	46.5	51.0	59.5	61.5	40.5

Motor Speed Data

	LR	Pull-Up	BD	Rated	Idle
Speed (RPM)	0	443	825	885	900
Current (Amps)	31.5	28.4	20.0	7.5	6.0
Torque(ft-lb)	37.0	31.5	60.5	22.5	0.00

Information Block

HP	3.8
Sync. RPM	900
Frame	284T
Enclosure	DP
Construction	TDR
Voltage	460 V
Frequency	60 Hz
Design	2VT
LR Code letter	H
Service Factor	1.15
Temp Rise @ FL	70 °C
Duty	CONT
Ambient	40 °C
Elevation	3,300 feet
Rotor/Shaft wk ²	0.00 Lb-Ft ²
Ref Wdg	HA3180(4-8)17 HS
Sound Pressure @ 1M	60 dBA
VFD Rating	NA
Outline Dwg	SS620687-100
Conn. Diag	EE7317



Additional Specifications:

CATALOG # Y472A

LOW SPEED PERFORMANCE

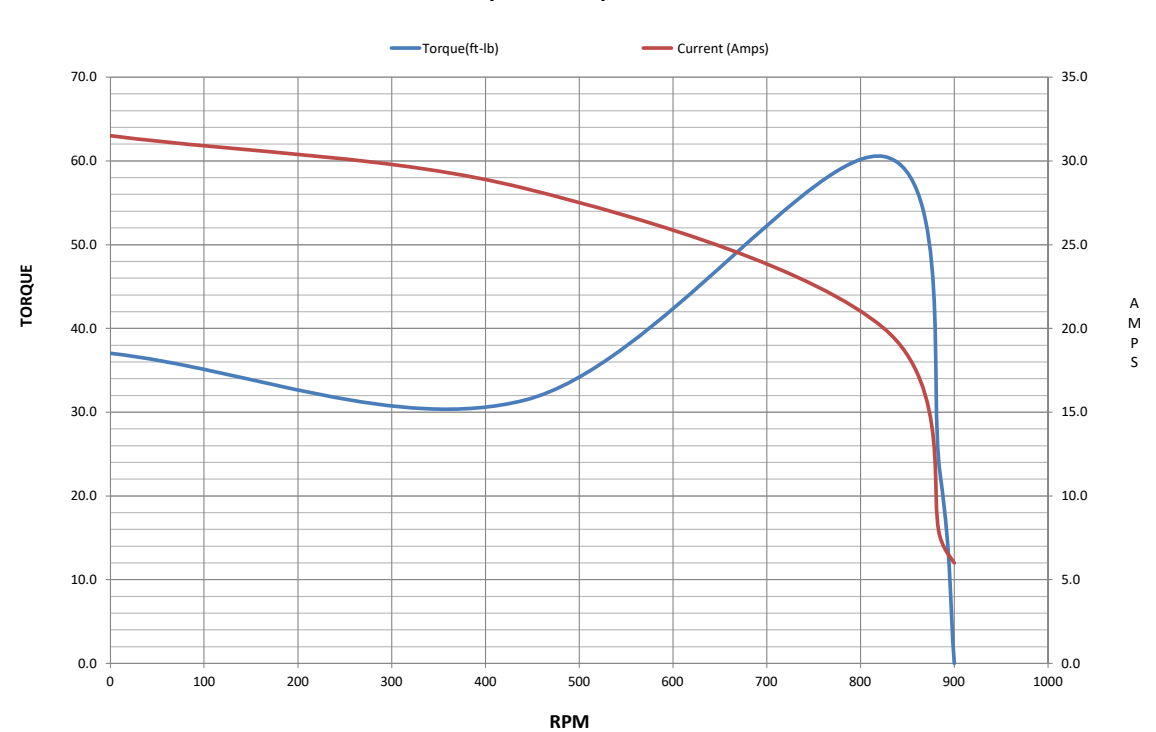
0

0

EQUIV CKT (OHMS / PHASE)

R1	R2	X1	X2	Xm
2.0227	0.7389	3.1871	6.3369	39.4099

Speed - Torque Curve



EC Declaration of Conformity

The undersigned representing
the manufacturer:

Regal Beloit America
100 East Randolph St.
Wausau, WI 54401

and the authorized representative
established within the Community:

Marathon Electric UK
6F Thistleton Road Ind. Estate
Market Overton
Oakham, Rutland LE15 7PP UK

are committed to providing customers with products that comply with applicable regulations and international protocols to which they are subject, including the requirements of the European Parliament Directive on the Harmonization of the laws relating to electrical equipment designed for use within certain voltage limits (2014/35/EU).

Regal Beloit America declares that the following product(s), to which this declaration relates, are in conformity with the relevant sections of the EC standards listed below.

This statement supersedes any statements previously issued pertaining to the product(s) listed below and is subject to change without notice.

Model No : 284TTDBD7205

(Model No. may contain prefix and/or suffix characters)

Catalog No : Y472A

Rework No : N/A

Directives :

Low Voltage Directive 2014/35/EU

Harmonized Standards Used :

EN 60034-1: 2010 (IEC 60034-1: 2010)

EN 60034-5: 2001/A1:2007 (IEC 60034-5: 2000/A1:2006)

Authorized Representative:



Michael A. Logsdon
Vice President, Technology

Authorized Representative in the Community:



Julian Clark
Marketing Engineer

Created on 09/01/2022

CE 22