

PRODUCT INFORMATION PACKET

marathon[®]
Motors

Model No: 284TSTFPA4036

Catalog No: E999

Other Purpose Motor, 25 & 20 HP, 3 Ph, 60 & 50 Hz, 208-230/460 & 190/380 V, 1800 & 1500 RPM,
284TS Frame, TEFC

Regal and Marathon are trademarks of Regal Rexnord Corporation or one of its affiliated companies.

©2023 Regal Rexnord Corporation, All Rights Reserved. MC017097E

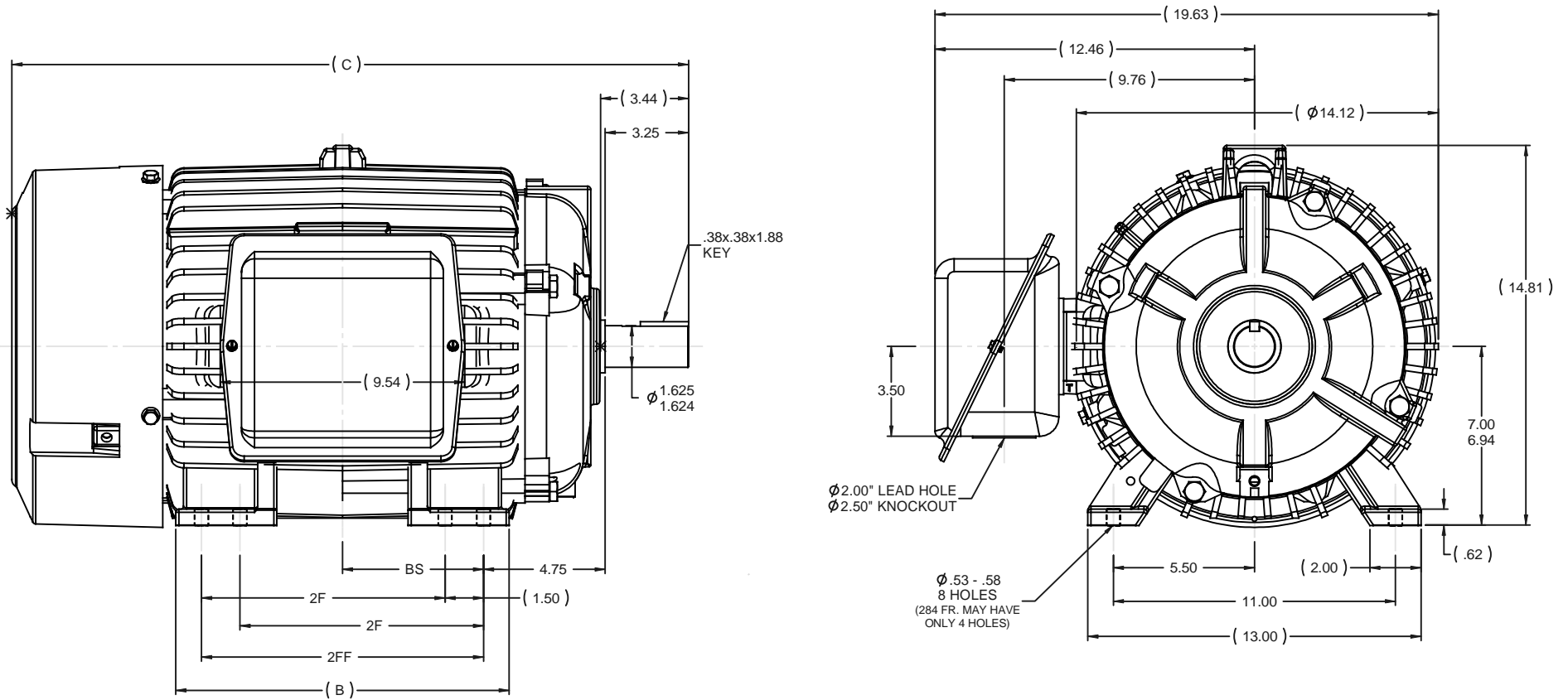
RegalRexnord

Nameplate Specifications

Phase	3	Output HP	25 & 20 Hp
Output KW	18.7 & 14.9 kW	Voltage	208-230/460 & 190/380 V
Speed	1762 & 1462 rpm	Service Factor	1.15 & 1.15
Frame	284TS	Enclosure	Totally Enclosed Fan Cooled
Thermal Protection	No Protection	Efficiency	92.4 & 91 %
Ambient Temperature	40 °C	Frequency	60 & 50 Hz
Current	67-62/31 & 60/30 A	Power Factor	82
Duty	Continuous	Insulation Class	F
Design Code	B	KVA Code	F
Drive End Bearing Size	6311	Opp Drive End Bearing Size	6210
UL	Recognized	CSA	Y
CE	Y	IP Code	43
Number of Speeds	1		

Technical Specifications

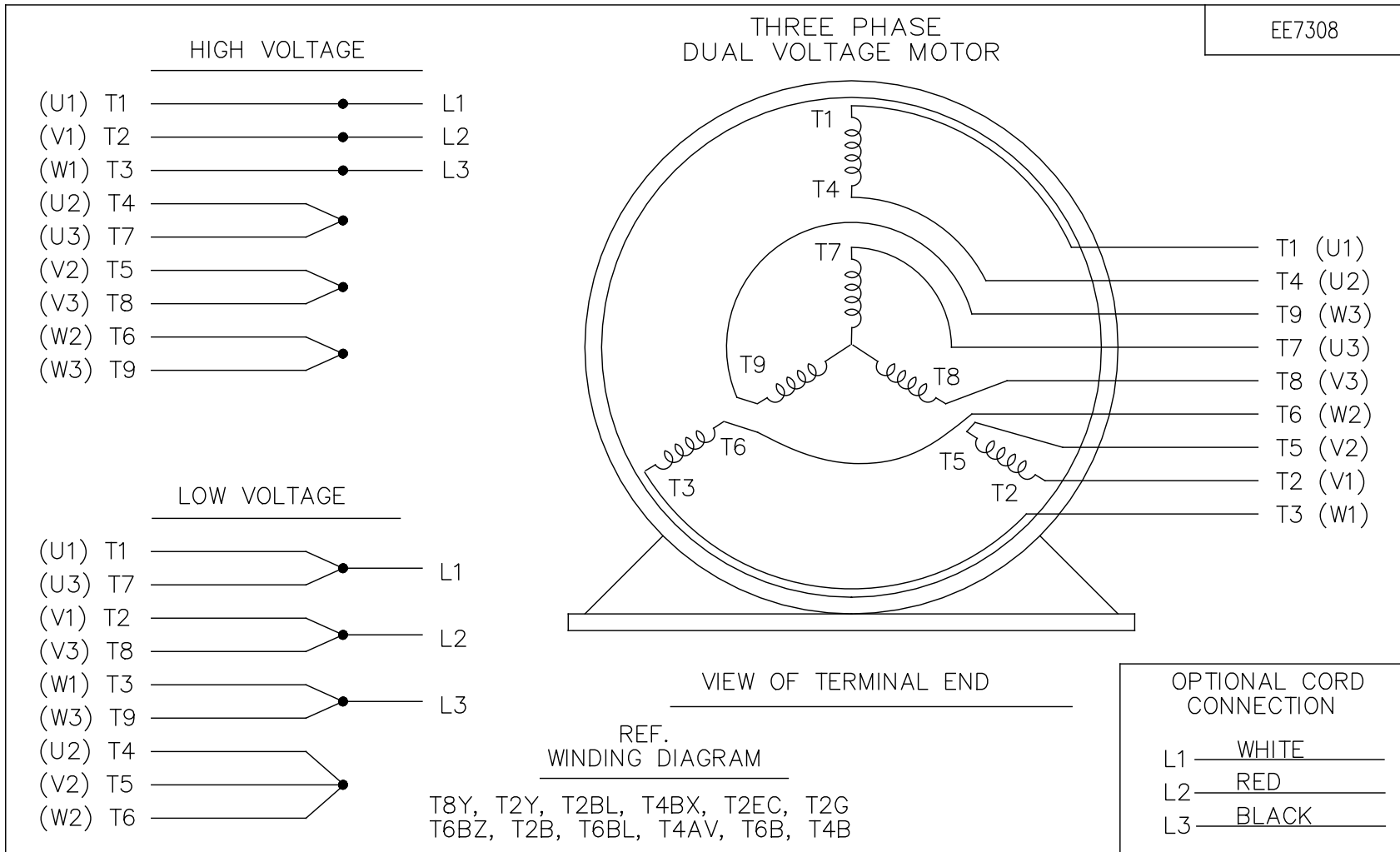
Electrical Type	Squirrel Cage Induction Run	Starting Method	Across The Line
Poles	4	Rotation	Reversible
Resistance Main	.38 Ohms	Mounting	Rigid Base
Motor Orientation	Horizontal	Drive End Bearing	Ball
Opp Drive End Bearing	Ball	Frame Material	Cast Iron
Shaft Type	TS	Overall Length	24.89 in
Frame Length	12.75 in	Shaft Diameter	1.625 in
Shaft Extension	3.25 in	Assembly/Box Mounting	F1/F2 CAPABLE
Outline Drawing	B-SS311036-1275	Connection Drawing	A-EE7308



- NOTES:
 1- CONDUIT BOX CAN BE ROTATED IN 90° STEPS.
 2- CONDUIT BOX CAN BE MOUNTED ON OPPOSITE SIDE BY REMOVING BRACKETS AND TURNING FRAME 180°
 3- NAMEPLATE TO BE READ FROM CONDUIT BOX SIDE OF MOTOR.

				TOLERANCES UNLESS SPECIFIED			DRAWN	DRS 06-23-2000		
NO	REVISION	BY & DATE	CHK	ANG	FINISH		CHK	ML 06-26-2000		
5	REVISED MOUNTING HOLE QUANTITY CN 40694	DRS 10-25-2008	ML	DEC	INCHES	TITLE OUTLINE - TEFC - TFPA 280TS FR. - STD - 11.00 LAM	APPR	SW 07-10-2000		
4	REDRAWN IN AUTOCAD	TAT 06-29-2004	ML	X	±.1		SCALE	1:4		
3	CORRECTED C'BOX HOLE NOTE CN 29200-1454	HLB 02-16-2007		.XX	±.03		REF			
2	REMOVED DUAL DRILLING FROM FEET CN 29200-991	NJS 10-26-2000		.XXX	±.005		FMF			
1	NEW DRAWING	DRS 07-10-2000		.XXX	±.0005		PREV	SS200047		
THIS DRAWING IN DESIGN AND DETAIL IS OUR PROPERTY AND MUST NOT BE USED EXCEPT IN CONNECTION WITH OUR WORK. ALL RIGHTS OF DESIGN AND INVENTION ARE RESERVED. THIS IS AN ELECTRONICALLY GENERATED DOCUMENT - DO NOT SCALE THIS PRINT		RFP				CAD FILE	SS311036	SIZE	DRAWING NO	REV
		DIST	LB					B	SS311036	5

DASH	FRAME	B	C	2F	2FF	BS
1275	284TS	11.50	24.89	9.50		4.75
1425	284/6TS	13.00	26.39	9.50	11.00	5.50



NO.	REVISION	BY & DATE	CHK	ANG	TOLERANCES UNLESS SPECIFIED		FINISH	DRAWN RM 11/20/1990				
					DEC.	INCHES						
5	CHG TO REGAL LOGO	SL 09/10/2015	AB					CHK ML 11/21/1990				
4	REVISED IEC NOTATIONS	MSG 11/15/2011	CMN	.X	±.1			APPD SAS 04/24/2003				
3	ADDED IEC NOTATIONS... (U1), (V1) ETC. MU95194	MSG 5/10/2010	MJS	.XX	±.02			SCALE 1=1				
2	ADDED THE OPTIONAL CORD CONNECTION MU46318	RDH 04/24/2003	DRS	.XXX	±.005		TITLE CONNECTION DIAGRAM 3Ø - DUAL VOLTAGE MOTOR	REF				
1	REDRAWN	RM 11/20/1990		.XXXX	±.0005		MAT'L.	FMF				
					±7'30"			PREV				
THIS DRAWING IN DESIGN AND DETAIL IS OUR PROPERTY AND MUST NOT BE USED EXCEPT IN CONNECTION WITH OUR WORK ALL RIGHTS OF DESIGN AND INVENTION ARE RESERVED THIS IS AN ELECTRONICALLY GENERATED DOCUMENT - DO NOT SCALE THIS PRINT							RFP	CAD FILE ee7308	SIZE A	DRAWING NO. EE7308	PAGE OF 5	REV. 5
							DIST WP					