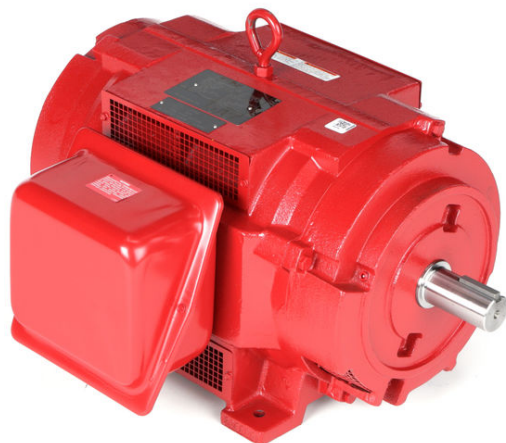


PRODUCT INFORMATION PACKET

Model No: 284TSTDP8618

Catalog No: Y625

30 HP Fire Pump Motor, 3 phase, 3600 RPM, 200/400 V, 284TS Frame, ODP
Fire Pump Motors



Regal and Marathon are trademarks of Regal Rexnord Corporation or one of its affiliated companies.
©2021 Regal Rexnord Corporation, All Rights Reserved. MC017097E



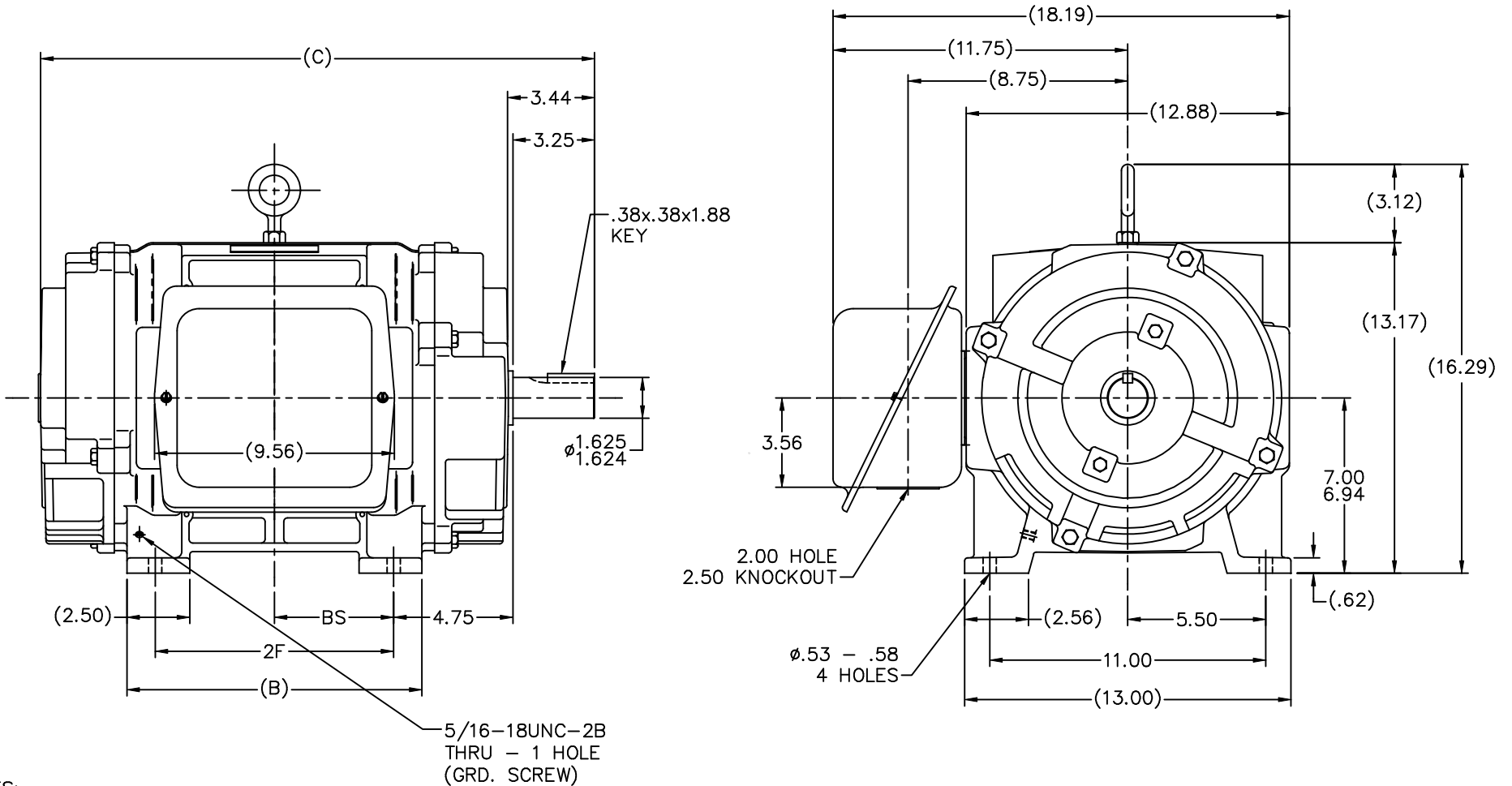
Nameplate Specifications

| | | | |
|------------------------|--------------------|----------------------------|-------------------|
| Output HP | 30 Hp | Output KW | 22.4 kW |
| Frequency | 60 Hz | Voltage | 200/400 V |
| Current | 84.0/42.0 A | Speed | 3515 rpm |
| Service Factor | 1.15 | Phase | 3 |
| Efficiency | 88.5 % | Power Factor | 85.5 |
| Duty | Continuous | Insulation Class | B |
| Design Code | B | KVA Code | E |
| Frame | 284TS | Enclosure | Drip Proof |
| Thermal Protection | No | Ambient Temperature | 40 °C |
| Drive End Bearing Size | 6311 | Opp Drive End Bearing Size | 6210 |
| UL | No | CSA | Y |
| CE | Y | IP Code | 12 |
| Number of Speeds | 1 | | |

Technical Specifications

| | | | |
|-----------------------|------------------------------------|-----------------------|----------------------------|
| Electrical Type | Squirrel Cage Induction Run | Starting Method | Wye Start Delta Run |
| Poles | 2 | Rotation | Reversible |
| Resistance Main | .48 Ohms | Mounting | Rigid Base |
| Motor Orientation | Horizontal | Drive End Bearing | Ball |
| Opp Drive End Bearing | Ball | Frame Material | Cast Iron |
| Shaft Type | TS | Overall Length | 22.06 in |
| Frame Length | 12.75 in | Shaft Diameter | 1.625 in |
| Shaft Extension | 3.44 in | Assembly/Box Mounting | F1/F2 CAPABLE |
| Outline Drawing | B-SS200031-1275 | Connection Drawing | A-EE7308AA |

This is an uncontrolled document once printed or downloaded and is subject to change without notice. Date Created:10/12/2021



NOTES:

1. BOX CAN BE ROTATED IN 90° STEPS
2. BOX CAN BE MOUNTED ON OPPOSITE SIDE BY REMOVING BRACKETS AND TURNING FRAME 180°
3. NAMEPLATE TO BE READ FROM CONDUIT BOX SIDE OF MOTOR

| DASH | FRAME | B | C | 2F | BS |
|------|-------|-------|-------|-------|------|
| 1275 | 284TS | 11.75 | 22.06 | 9.50 | 4.75 |
| 1425 | 286TS | 13.25 | 23.56 | 11.00 | 5.50 |

| | | | | | | | | | | |
|--|---|----------------|-----|-----------------------------|------------------------------------|---------------------|--------|----------------------|-----------|------|
| 6 | REVISED CONDUIT HOLE CALL OUT CN46008 | RJW 03-07-2005 | | TOLERANCES UNLESS SPECIFIED | | DRAWN JL 02-23-1988 | | | | |
| 5 | REVISED TO NEC CONDUIT BOX CN28428 | NJS | | DEC. INCHES | | CHK JPN 03-08-1988 | | | | |
| 4 | SHOW GROUND SCREW HOLE IN FOOT CN22833 | PGK | | .X ±.1 | APPD LS 03-21-1988 | SCALE 1=4 | | | | |
| 3 | UPDATED SHAFT HEIGHT CN16763 | DRS 08-13-1996 | | .XX ±.03 | TITLE OUTLINE - DR.PR. - CAST IRON | REF | | | | |
| 2 | FOOT RELIEF ADD CN10468 REM AIR OPPEN CN10462 | JL 04-21-1992 | | .XXX ±.005 | 280TS FR -BB -TS -DOUBLE. END VENT | FMF | | | | |
| 1 | NEW DRAWING | JL 03-23-1988 | | .XXXX ±.0005 | MATL. | PREV | | | | |
| NO. | REVISION | BY & DATE | CHK | ANG ±7'30" | FINISH | | | | | |
| THIS DRAWING IN DESIGN AND DETAIL IS OUR PROPERTY AND MUST NOT BE USED EXCEPT IN CONNECTION WITH OUR WORK ALL RIGHTS OF DESIGN AND INVENTION ARE RESERVED THIS IS AN ELECTRONICALLY GENERATED DOCUMENT - DO NOT SCALE THIS PRINT | | | | | RFP | CAD FILE SS200031 | SIZE B | DRAWING NO. SS200031 | PAGE OF 6 | REV. |
| | | | | | DIST LB | | | | | |



LOW VOLTAGE



HIGH VOLTAGE



VIEW OF TERMINAL END

| | | |
|---|------------------------------|---------------------------|
| DRAWING REVISION K | REVISION BY AJW | DATE 07-17-2015 |
| ECO ECO-0081632 | APPROVED BY T. VUE | DATE 07-17-2015 |
| ECO DESCRIPTION REV'D IEC MARKINGS PER IEC 60034-8 | | |
| <small>COPYRIGHT REGAL BELOIT AMERICA, INC. ALL RIGHTS RESERVED. PROPRIETARY AND CONFIDENTIAL INFORMATION - THIS DOCUMENT IS THE PROPERTY OF REGAL BELOIT AMERICA, INC. ("OWNER") AND CONTAINS OWNER'S PROPRIETARY INFORMATION. ANY PERSON, CORPORATION OR OTHER FIRM RECEIVING IT IS DEEMED, BY RECEIVING IT, TO AGREE THAT IT, AND/OR ANY PART OF IT, SHALL NOT BE DISCLOSED TO ANY PERSON, CORPORATION OR OTHER ENTITY, DUPLICATED, AND/OR USED, EXCEPT AS EXPRESSLY APPROVED IN WRITING IN ADVANCE BY OWNER. THIS DOCUMENT SHALL BE RETURNED TO OWNER UPON REQUEST. IT MAY BE SUBJECT TO CERTAIN RESTRICTIONS UNDER APPLICABLE EXPORT CONTROL LAWS AND REGULATIONS.</small> | | |



| | | | |
|---------------------------|--|-----------------------------------|------------------------|
| DRAWN BY LZ | Regal Beloit America, Inc. | | |
| DATE 01-12-1994 | | | |
| APPROVED BY GK | DESCRIPTION CONN DIAGRAM-EXTERNAL 3Ø-2/1 DELTA-12 LEADS | | |
| DATE 01-14-1994 | | | |
| REFERENCE | MATERIAL | PROCESS/FINISH | |
| THIRD ANGLE PROJECTION | SIZE A | DRAWING NUMBER EE7308AA | SHEET 1 OF 1 |