

PRODUCT INFORMATION PACKET

Model No: 284TSTDP4306

Catalog No: U441

General Purpose Motor, 30 & 25 HP, 3 Ph, 60 & 50 Hz, 230/460 & 190/380 V, 3600 & 3000 RPM,
284TSC Frame, DP



Regal and Marathon are trademarks of Regal Rexnord Corporation or one of its affiliated companies.

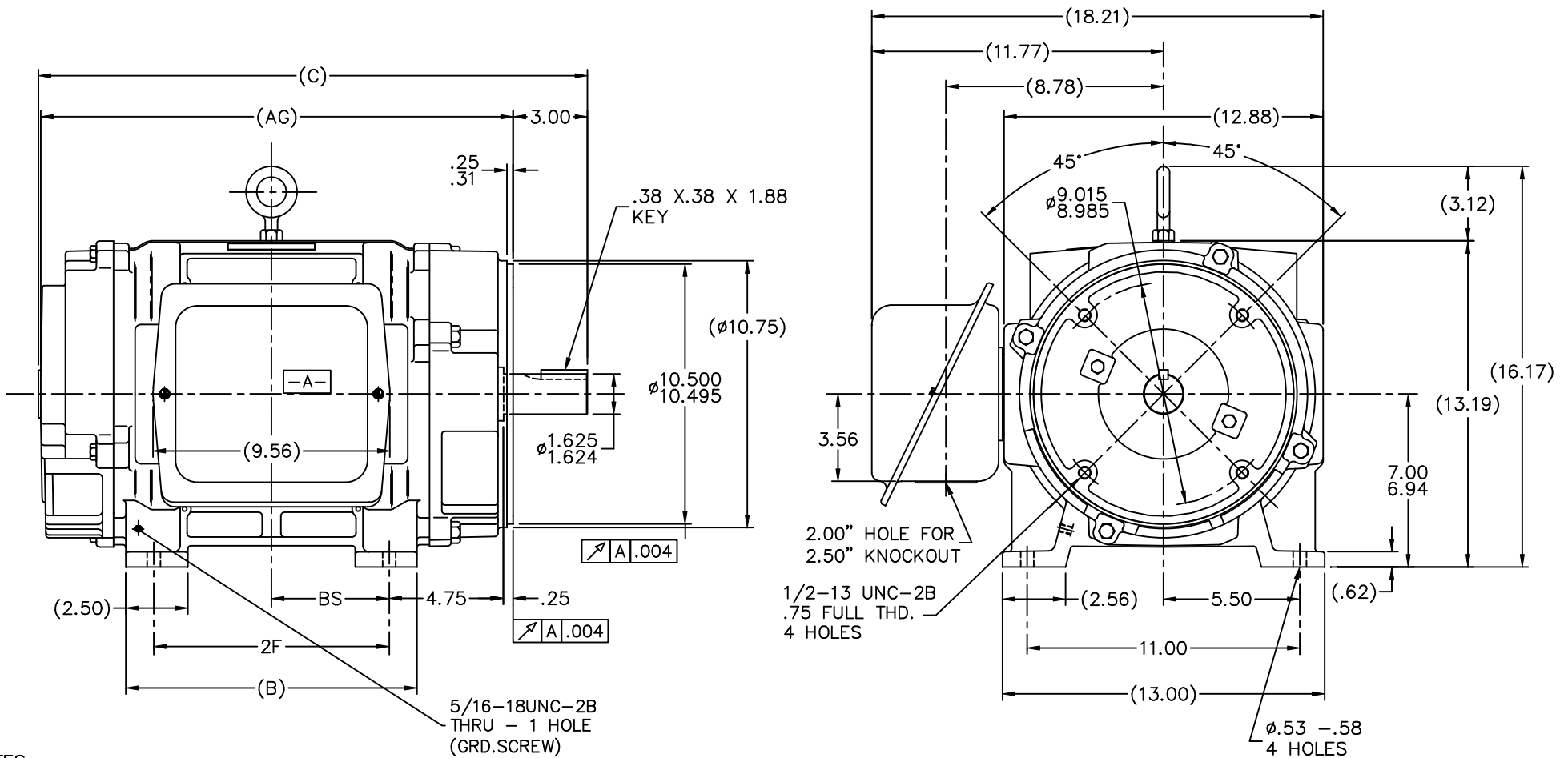
©2023 Regal Rexnord Corporation, All Rights Reserved. MC017097E

Nameplate Specifications

Phase	3	Output HP	30 & 25 Hp
Output KW	22.4 & 18.7 kW	Voltage	230/460 & 190/380 V
Speed	3530 & 2935 rpm	Service Factor	1.15 & 1.15
Frame	284TSC	Enclosure	Drip Proof
Thermal Protection	No Protection	Efficiency	91 & 91.5 %
Ambient Temperature	40 °C	Frequency	60 & 50 Hz
Current	72/36 & 71/35.5 A	Power Factor	85.5
Duty	Continuous	Insulation Class	B
Design Code	B	KVA Code	F
Drive End Bearing Size	6311	Opp Drive End Bearing Size	6210
UL	Recognized	CSA	Y
CE	Y	IP Code	12
Number of Speeds	1		

Technical Specifications

Electrical Type	Squirrel Cage Induction Run	Starting Method	Part Wdg Start Low Volt Only & Wye Start Delta Run
Poles	2	Rotation	Reversible
Resistance Main	.364 Ohms	Mounting	Rigid Base
Motor Orientation	Horizontal	Drive End Bearing	Ball
Opp Drive End Bearing	Ball	Frame Material	Cast Iron
Shaft Type	TS	Overall Length	22.06 in
Frame Length	12.75 in	Shaft Diameter	1.625 in
Shaft Extension	3 in	Assembly/Box Mounting	F1/F2 CAPABLE
Outline Drawing	B-SS200033-1275	Connection Drawing	A-EE7358



NOTES

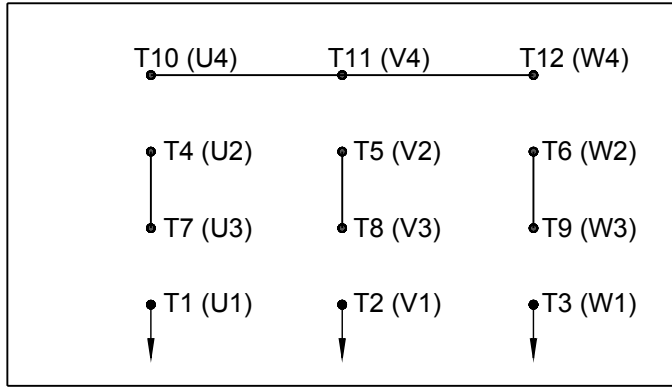
1. BOX CAN BE ROTATED IN 90° STEPS
2. BOX CAN BE MOUNTED ON OPPOSITE SIDE BY REMOVING BRACKETS AND TURNING FRAME 180°
3. NAMEPLATE TO BE READ FROM CONDUIT BOX SIDE OF MOTOR

DASH	FRAME	B	C	AG	2F	BS
1275	284TSC	11.75	22.06	19.06	9.50	4.75
1425	286TSC	13.25	23.56	20.56	11.00	5.50

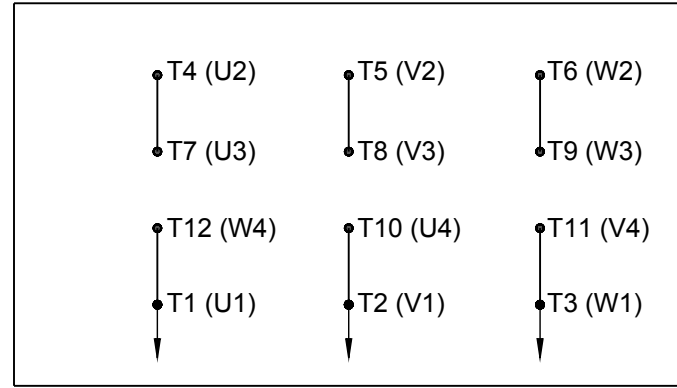
		TOLERANCES UNLESS SPECIFIED		MARATHON ELECTRIC		DRAWN DA 01-08-1993			
NO.	REVISION	BY & DATE	CHK	ANG	FINISH	PREV			
6	REDRAWN IN AUTOCAD	TAT 06-29-2004	ML	.X	±.1		CHK ML 01-08-1993		
5	REVISED NOTE FOR CONDUIT BOX HOLE CN 29200-1073	TJB 11-14-2000		.XX	±.03		APPD GK 01-08-1993		
4	UPDATED CONDUIT BOX CN 28428	TJB 11-06-2000		.XXX	±.005		SCALE 1=4		
3	CLARIFY OUTLINE TO SHOW GROUND SCREW CN 22833	MRB 08-14-1996		.XXXX	±.0005		REF		
							FMF		
							PREV		
THIS DRAWING IN DESIGN AND DETAIL IS OUR PROPERTY AND MUST NOT BE USED EXCEPT IN CONNECTION WITH OUR WORK ALL RIGHTS OF DESIGN AND INVENTION ARE RESERVED THIS IS AN ELECTRONICALLY GENERATED DOCUMENT - DO NOT SCALE THIS PRINT						CAD FILE ss200033	SIZE B	DRAWING NO. SS200033	PAGE OF 6
		RFP	DIST LB						

HIGH VOLTAGE

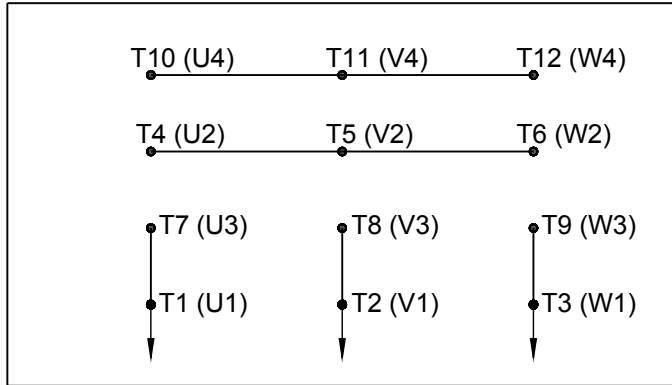
WYE START



DELTA RUN

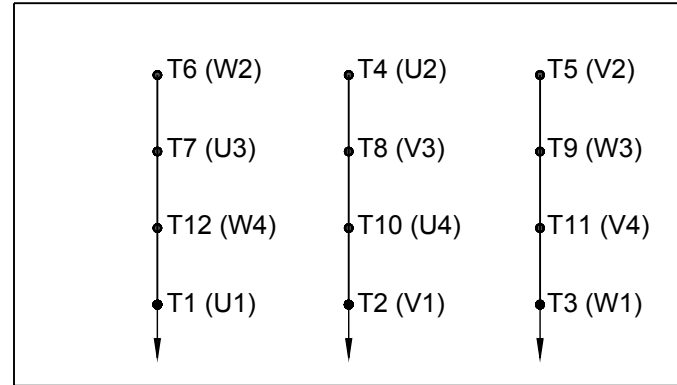


WYE START



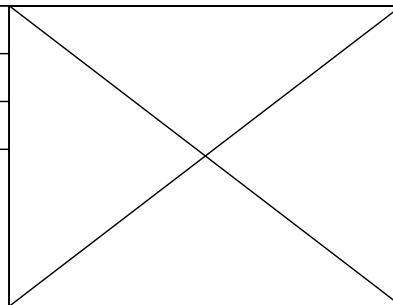
LOW VOLTAGE

DELTA RUN



4/2 CKTY \triangle

DRAWING REVISION D	REVISION BY JWO	DATE 01-26-2016
ECO ECO-0092547	APPROVED BY TB	DATE 01-26-2016
ECO DESCRIPTION ADDED IEC MARKINGS		



DRAWN BY BLR	Regal Beloit America, Inc.		
DATE 03-09-1998			
APPROVED BY GK	DESCRIPTION CONN DIAGRAM-EXTERNAL 12 LEAD - DUAL VOLT. - WYE START - DELTA RUN		
DATE 03-23-1998			
REFERENCE	MATERIAL	PROCESS/FINISH	
THIRD ANGLE PROJECTION	SIZE A	DRAWING NUMBER EE7358	SHEET 1 OF 1

COPYRIGHT REGAL BELOIT AMERICA, INC. ALL RIGHTS RESERVED. PROPRIETARY AND CONFIDENTIAL INFORMATION - THIS DOCUMENT IS THE PROPERTY OF REGAL BELOIT AMERICA, INC. ("OWNER") AND CONTAINS OWNER'S PROPRIETARY INFORMATION. ANY PERSON, CORPORATION OR OTHER FIRM RECEIVING IT IS DEEMED, BY RECEIVING IT, TO AGREE THAT IT, AND/OR ANY PART OF IT, SHALL NOT BE DISCLOSED TO ANY PERSON, CORPORATION OR OTHER ENTITY, DUPLICATED, AND/OR USED, EXCEPT AS EXPRESSLY APPROVED IN WRITING IN ADVANCE BY OWNER. THIS DOCUMENT SHALL BE RETURNED TO OWNER UPON REQUEST. IT MAY BE SUBJECT TO CERTAIN RESTRICTIONS UNDER APPLICABLE EXPORT CONTROL LAWS AND REGULATIONS.