

# PRODUCT INFORMATION PACKET

Model No: 256UTFPA8026

Catalog No: P336

Automotive Duty Motor, 10 HP, 3 Ph, 60 Hz, 460 V, 1800 RPM, 256U Frame, TEFC

Regal and are trademarks of Regal Rexnord Corporation or one of its affiliated companies.  
©2022 Regal Rexnord Corporation, All Rights Reserved. MC017097E

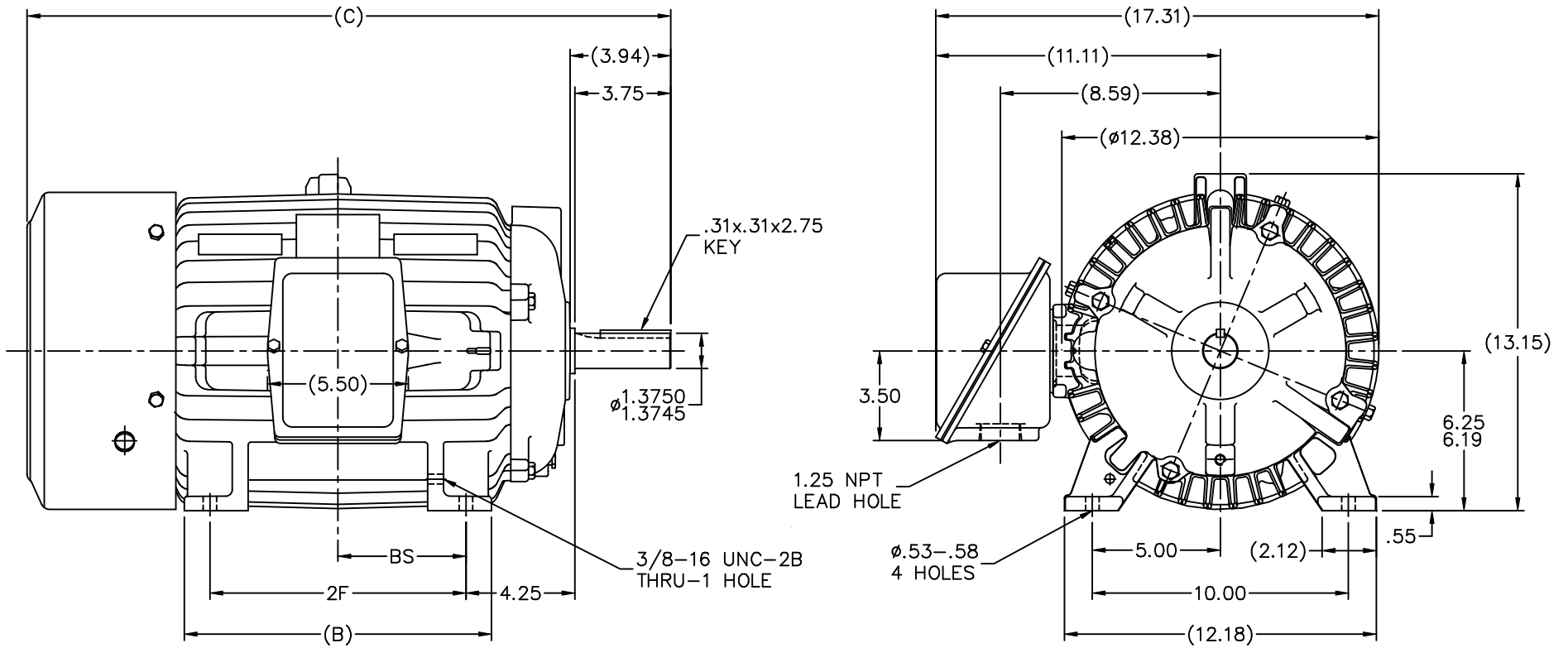


**Nameplate Specifications**

Output HP	<b>10 Hp</b>	Output KW	<b>7.5 kW</b>
Frequency	<b>60 Hz</b>	Voltage	<b>460 V</b>
Current	<b>12.5 A</b>	Speed	<b>1765 rpm</b>
Service Factor	<b>1</b>	Phase	<b>3</b>
Efficiency	<b>90.2 %</b>	Power Factor	<b>82</b>
Duty	<b>Continuous</b>	Insulation Class	<b>F</b>
Design Code	<b>B</b>	KVA Code	<b>G</b>
Frame	<b>256U</b>	Enclosure	<b>Totally Enclosed Fan Cooled</b>
Thermal Protection	<b>No Protection</b>	Ambient Temperature	<b>65 °C</b>
Drive End Bearing Size	<b>6309</b>	Opp Drive End Bearing Size	<b>6207</b>
UL	<b>Recognized</b>	CSA	<b>Y</b>
CE	<b>Y</b>	IP Code	<b>43</b>
Number of Speeds	<b>1</b>		

**Technical Specifications**

Electrical Type	<b>Squirrel Cage Induction Run</b>	Starting Method	<b>Across The Line</b>
Poles	<b>4</b>	Rotation	<b>Reversible</b>
Resistance Main	<b>.894 Ohms</b>	Mounting	<b>Rigid Base</b>
Motor Orientation	<b>Horizontal</b>	Drive End Bearing	<b>Ball</b>
Opp Drive End Bearing	<b>Ball</b>	Frame Material	<b>Cast Iron</b>
Shaft Type	<b>U</b>	Overall Length	<b>25.19 in</b>
Frame Length	<b>13.50 in</b>	Shaft Diameter	<b>1.375 in</b>
Shaft Extension	<b>3.75 in</b>	Assembly/Box Mounting	<b>F1/F2 CAPABLE</b>
Connection Drawing	<b>A-EE7300</b>	Outline Drawing	<b>B-SS203580-1350</b>



- NOTES:
1. C.BOX CAN BE ROTATED IN 90° STEPS
  2. C.BOX CAN BE MOUNTED ON OPPOSITE SIDE BY REMOVING BRACKETS AND TURNING FRAME 180°
  3. NAMEPLATES TO BE READ FROM CONDUIT BOX SIDE OF MOTOR

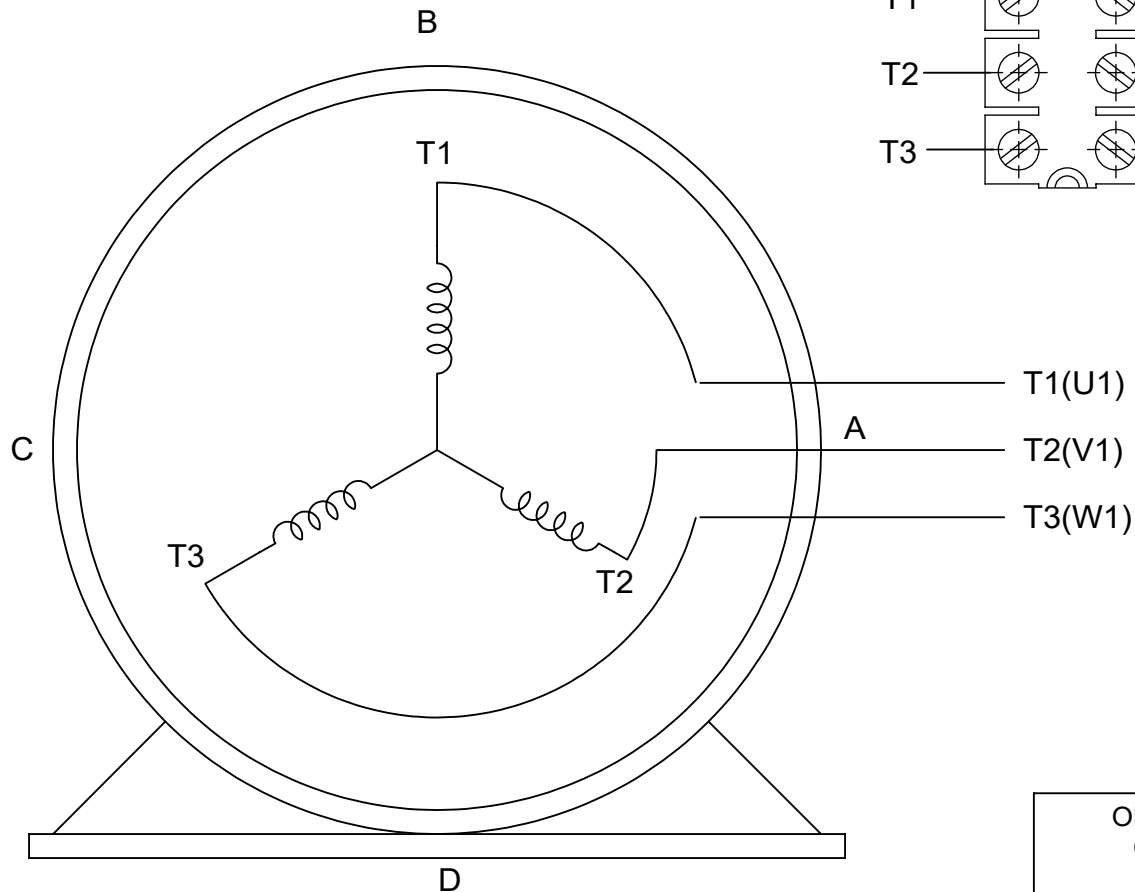
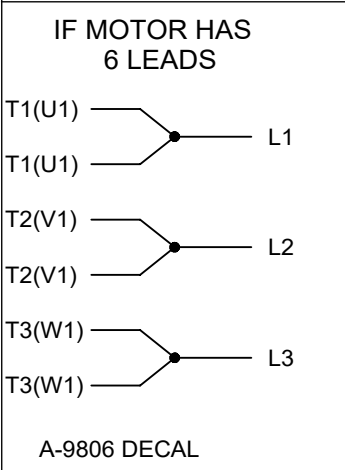
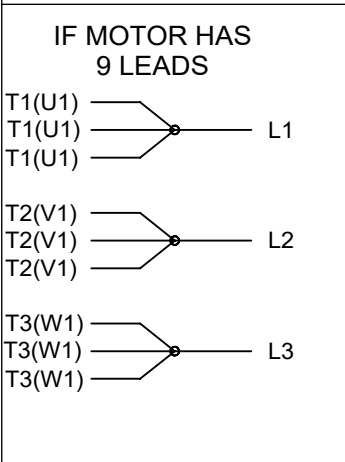
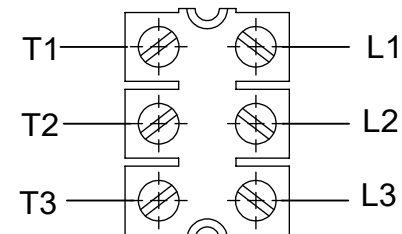
DASH	FRAME	B	C	2F	BS
1175	254U	10.25	23.44	8.25	4.12
1350	256U	12.00	25.19	10.00	5.00

		TOLERANCES UNLESS SPECIFIED			DRAWN MSG 03-21-2001 CHK ML 03-21-2001 APPD GK 03-21-2001 SCALE 1=4 REF FMF PREV
		DEC.	INCHES		TITLE OUTLINE - TEFC 250U FR. - BB - TS - STD. CAST C'BOX MAT'L FINISH CAD FILE ss203580
		.X	±.1		SIZE DRAWING NO. PAGE OF REV.
		.XX	±.03		B SS203580 2
2	REDRAWN IN AUTOCAD	TAT	05-19-2005	ML	.XXX ±.005
1	NEW DRAWING	MSG	03-21-2001		.XXXX ±.0005
NO.	REVISION	BY & DATE	CHK	ANG	±7'30"
THIS DRAWING IN DESIGN AND DETAIL IS OUR PROPERTY AND MUST NOT BE USED EXCEPT IN CONNECTION WITH OUR WORK ALL RIGHTS OF DESIGN AND INVENTION ARE RESERVED THIS IS AN ELECTRONICALLY GENERATED DOCUMENT - DO NOT SCALE THIS PRINT				RFP	
				DIST	LB

THREE PHASE - SINGLE VOLTAGE  
MOTOR - CONDUIT BOX @ 'A'

TERMINAL BLOCK WHEN SPECIFIED

TO REVERSE ROTATION:  
INTERCHANGE ANY TWO LINE  
LEAD CONNECTIONS



VIEW OF TERMINAL END

**OPTIONAL CORD CONNECTION**

L1	WHITE
L2	RED
L3	BLACK

DRAWING REVISION AC	REVISION BY BS	REV DATE/© DATE 26/07/2022
REQUEST NUMBER CR-0010402	APPROVED BY SN	DATE 26/07/2022
REQUEST NUMBER DESCRIPTION DRAWING UPDATED		
<small>COPYRIGHT (PER REVISION DATE) REGAL BELOIT AMERICA, INC. ALL RIGHTS RESERVED. PROPRIETARY AND CONFIDENTIAL INFORMATION - THIS DOCUMENT IS THE PROPERTY OF REGAL BELOIT AMERICA, INC. ("OWNER") AND CONTAINS OWNER'S PROPRIETARY INFORMATION. ANY PERSON, CORPORATION OR OTHER FIRM RECEIVING IT IS DEEMED, BY RECEIVING IT, TO AGREE THAT IT, AND/OR ANY PART OF IT, SHALL NOT BE DISCLOSED TO ANY PERSON, CORPORATION OR OTHER ENTITY, DUPLICATED, AND/OR USED, EXCEPT AS EXPRESSLY APPROVED IN WRITING IN ADVANCE BY OWNER. THIS DOCUMENT SHALL BE RETURNED TO OWNER UPON REQUEST. IT MAY BE SUBJECT TO CERTAIN RESTRICTIONS UNDER APPLICABLE EXPORT CONTROL LAWS AND REGULATIONS.</small>		

PRIMARY DIMENSIONS ARE INCH  
mm DIMENSIONS IN [BRACKETS]  
ARE FOR REFERENCE ONLY

DRAWN BY DA
DATE 03-26-1993
APPROVED BY TB
DATE 03-26-1993
REFERENCE
THIRD ANGLE PROJECTION

		Regal Beloit America, Inc.	
DESCRIPTION <b>CONNECTION DIAGRAM</b> EXTERNAL - SINGLE VOLTAGE - 3Ø MOTOR			
MATERIAL		PROCESS/FINISH	
SIZE <b>A</b>	DRAWING NUMBER <b>EE7300</b>		SHEET 1 OF 1