

# PRODUCT INFORMATION PACKET

Model No: 256TTTNA18601

Catalog No: S564

Multispeed Motor, 7.50 HP, 3 Ph, 60 Hz, 575 V, 900 RPM, 256T Frame, TEAO



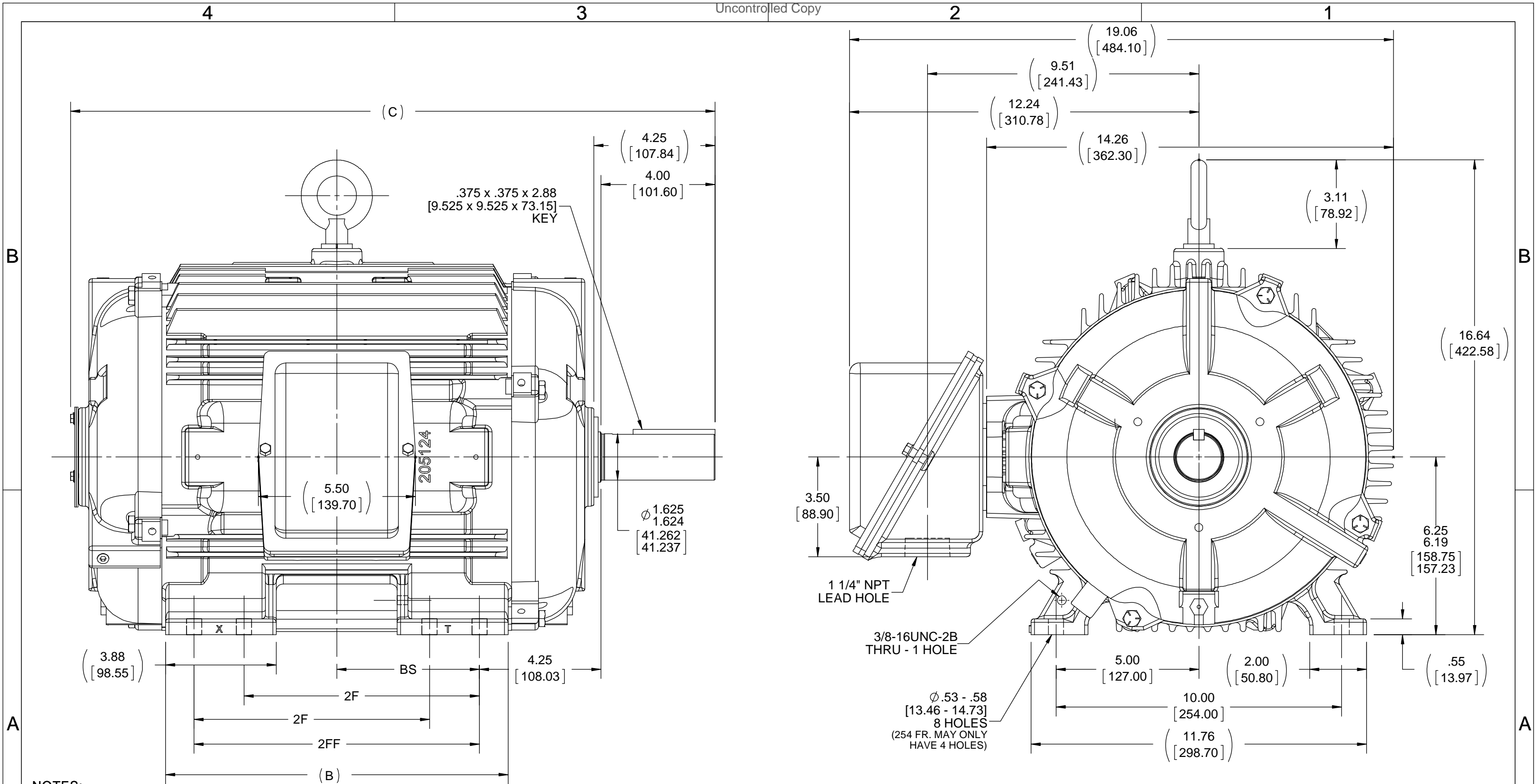
Regal and are trademarks of Regal Rexnord Corporation or one of its affiliated companies.  
©2022 Regal Rexnord Corporation, All Rights Reserved. MC017097E

### Nameplate Specifications

|                        |                      |                            |                                  |
|------------------------|----------------------|----------------------------|----------------------------------|
| Output HP              | <b>7.50 Hp</b>       | Output KW                  | <b>5.6 kW</b>                    |
| Frequency              | <b>60 Hz</b>         | Voltage                    | <b>575 V</b>                     |
| Current                | <b>8.7 A</b>         | Speed                      | <b>872 rpm</b>                   |
| Service Factor         | <b>1.15</b>          | Phase                      | <b>3</b>                         |
| Efficiency             | <b>88.5 %</b>        | Power Factor               | <b>73</b>                        |
| Duty                   | <b>Continuous</b>    | Insulation Class           | <b>H</b>                         |
| Design Code            | <b>B</b>             | KVA Code                   | <b>G</b>                         |
| Frame                  | <b>256T</b>          | Enclosure                  | <b>Totally Enclosed Air Over</b> |
| Thermal Protection     | <b>No Protection</b> | Ambient Temperature        | <b>90 °C</b>                     |
| Drive End Bearing Size | <b>6309</b>          | Opp Drive End Bearing Size | <b>6210</b>                      |
| UL                     | <b>Recognized</b>    | CSA                        | <b>Y</b>                         |
| CE                     | <b>N</b>             | IP Code                    | <b>54</b>                        |
| Number of Speeds       | <b>1</b>             |                            |                                  |

### Technical Specifications

|                       |                                     |                       |                               |
|-----------------------|-------------------------------------|-----------------------|-------------------------------|
| Electrical Type       | <b>Squirrel Cage Inverter Rated</b> | Starting Method       | <b>Line Or Inverter</b>       |
| Poles                 | <b>8</b>                            | Rotation              | <b>Reversible</b>             |
| Resistance Main       | <b>1.29 Ohms</b>                    | Mounting              | <b>Rigid Base</b>             |
| Motor Orientation     | <b>Horizontal</b>                   | Drive End Bearing     | <b>Ball / Heat Stabilized</b> |
| Opp Drive End Bearing | <b>Ball / Heat Stabilized</b>       | Frame Material        | <b>Cast Iron</b>              |
| Shaft Type            | <b>T</b>                            | Overall Length        | <b>22.35 in</b>               |
| Frame Length          | <b>12.25 in</b>                     | Shaft Diameter        | <b>1.625 in</b>               |
| Shaft Extension       | <b>4.25 in</b>                      | Assembly/Box Mounting | <b>F1/F2 Capable</b>          |
| Inverter Load         | <b>VARIABLE 20:1</b>                |                       |                               |
| Connection Drawing    | <b>A-EE7300T</b>                    | Outline Drawing       | <b>B-SS203092-1225</b>        |



- NOTES:  
 1. CONDUIT BOX CAN BE ROTATED IN 90° STEPS.  
 2. CONDUIT BOX CAN BE MOUNTED ON OPPOSITE SIDE BY REMOVING BRACKETS AND TURNING FRAME 180°.  
 3. NAMEPLATES TO BE READ FROM CONDUIT BOX SIDE OF MOTOR.  
 4. DIMENSIONS IN [ ] ARE IN MILLIMETERS.

| DASH | FRAME    | B              | C              | 2F            | 2FF            | BS            |
|------|----------|----------------|----------------|---------------|----------------|---------------|
| 1050 | 254T     | 10.25 [260.35] | 20.83 [529.08] | 8.25 [209.55] | ---            | 4.12 [104.65] |
| 1225 | 254/256T | 12.00 [304.80] | 22.58 [573.53] | 8.25 [209.55] | 10.00 [254.00] | 5.00 [127.00] |

|   |                    |                    |
|---|--------------------|--------------------|
| DRAWING REVISION<br>D   | REVISION BY<br>JJB | DATE<br>09-20-2017 |
| ECO<br>ECO-0130892  | APPROVED BY<br>DJK | DATE<br>09-20-2017 |
| ECO DESCRIPTION<br><b>UPDATED FRAME</b>   |                    |                    |
| <small>COPYRIGHT REGAL BELOIT AMERICA, INC. ALL RIGHTS RESERVED. PROPRIETARY AND CONFIDENTIAL INFORMATION - THIS DOCUMENT IS THE PROPERTY OF REGAL BELOIT AMERICA, INC. ("OWNER") AND CONTAINS OWNER'S PROPRIETARY INFORMATION. ANY PERSON, CORPORATION OR OTHER FIRM RECEIVING IT IS DEEMED, BY RECEIVING IT, TO AGREE THAT IT, AND/OR ANY PART OF IT, SHALL NOT BE DISCLOSED TO ANY PERSON, CORPORATION OR OTHER ENTITY, DUPLICATED, AND/OR USED, EXCEPT AS EXPRESSLY APPROVED IN WRITING IN ADVANCE BY OWNER. THIS DOCUMENT SHALL BE RETURNED TO OWNER UPON REQUEST. IT MAY BE SUBJECT TO CERTAIN RESTRICTIONS UNDER APPLICABLE EXPORT CONTROL LAWS AND REGULATIONS.</small> |                    |                    |

TOLERANCES UNLESS OTHERWISE SPECIFIED:

| DEC.  | INCH         | mm               | ANGLE         |
|-------|--------------|------------------|---------------|
| .X    | $\pm 0.1$    | [ $\pm 2.5$ ]    | $\pm 7' 30''$ |
| .XX   | $\pm 0.03$   | [ $\pm 0.76$ ]   |               |
| .XXX  | $\pm 0.005$  | [ $\pm 0.127$ ]  |               |
| .XXXX | $\pm 0.0005$ | [ $\pm 0.0127$ ] |               |

REMOVE BURRS & BREAK SHARP EDGES: .003/.015 [.076/.381] X 45° CORNER FILLETS: R.02 [.51] MACHINED SURFACES: 200 INCH/mm 5.1 mm SHOWN IN [BRACKETS]

|                        |
|------------------------|
| DRAWN BY<br>BLR        |
| DATE<br>04-26-1996     |
| APPROVED BY<br>BW      |
| DATE<br>04-24-1996     |
| REFERENCE              |
| THIRD ANGLE PROJECTION |

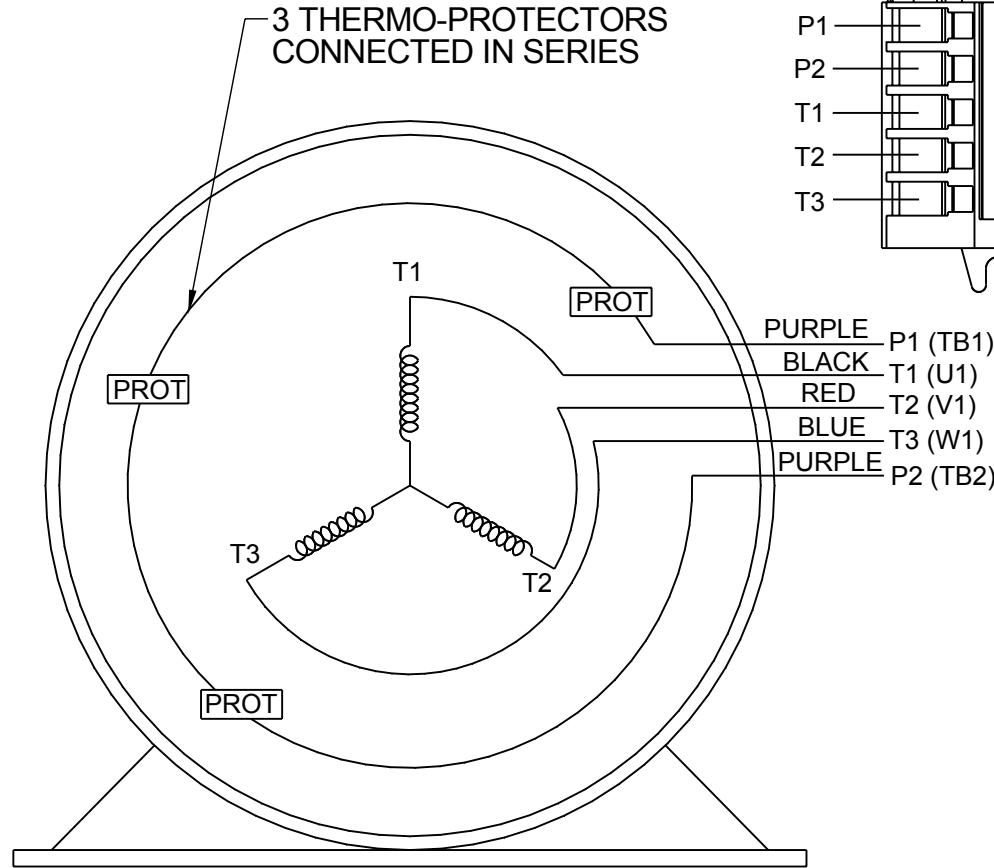
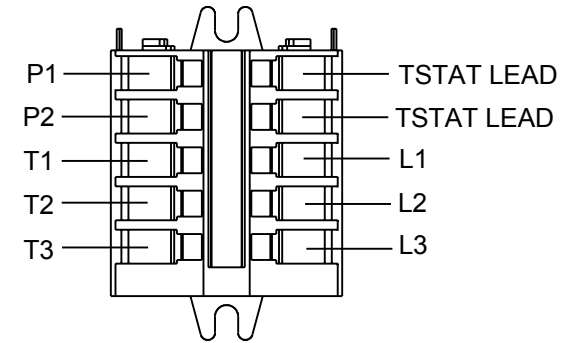
|   |                                   |
|---|-----------------------------------|
| <b>REGAL</b> ™ Regal Beloit America, Inc.                   |                                   |
| DESCRIPTION<br><b>OUTLINE</b><br>250T FR. - TENV - BB - STD |                                   |
| MATERIAL  | PROCESS/FINISH                    |
| SIZE<br><b>B</b>  | DRAWING NUMBER<br><b>SS203092</b> |
|   | SHEET<br>1 OF 1                   |

**THREE PHASE - SINGLE VOLTAGE  
MOTOR - CONDUIT BOX @ 'A'**

**TO REVERSE ROTATION:  
INTERCHANGE ANY TWO LINE  
LEAD CONNECTIONS**

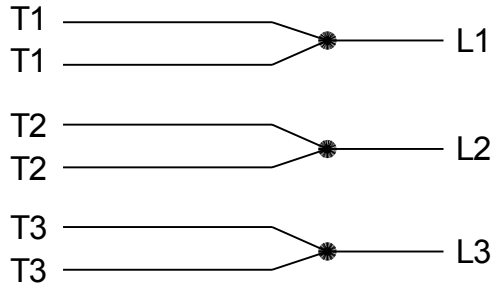
**NOTE FOR FACTORY USE ONLY:  
TO SURGE TEST:  
FOR 3 LEAD COMMON CONNECT:  
CONNECT P1 TO T1 THEN P2 TO L1  
FOR 6 LEAD COMMON CONNECT:  
CONNECT P1 TO BOTH T1  
THEN P2 TO L1**

TERMINAL BLOCK WHEN SPECIFIED



**VIEW OF TERMINAL END**

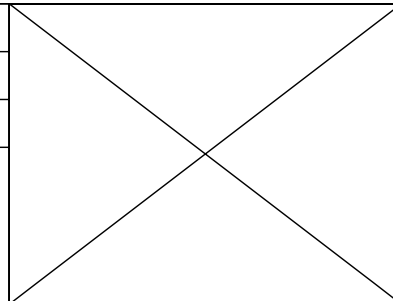
**IF MOTOR HAS MULTIPLE  
T'S PER LEAD CONNECT  
TOGETHER LIKE T'S**



**A-9806 DECAL**

- T2BM
- T6AW
- T6AL
- T6Z
- T4EG
- T4BF
- T8A
- T6H
- T6A
- T4AX
- T4A
- T2A
- T2F

|   |                      |                    |
|---|----------------------|--------------------|
| DRAWING REVISION<br>AB  | REVISION BY<br>AJW   | DATE<br>07-17-2015 |
| ECO<br>ECO-0081632  | APPROVED BY<br>T.VUE | DATE<br>07-17-2015 |
| ECO DESCRIPTION<br>REV'D IEC MARKINGS PER IEC-60034-8   |                      |                    |
| <small>COPYRIGHT REGAL BELOIT AMERICA, INC. ALL RIGHTS RESERVED.<br/>PROPRIETARY AND CONFIDENTIAL INFORMATION - THIS DOCUMENT IS THE PROPERTY OF<br/>REGAL BELOIT AMERICA, INC. ("OWNER") AND CONTAINS OWNER'S PROPRIETARY<br/>INFORMATION. ANY PERSON, CORPORATION OR OTHER FIRM RECEIVING IT IS DEEMED,<br/>BY RECEIVING IT, TO AGREE THAT IT, AND/OR ANY PART OF IT, SHALL NOT BE DISCLOSED<br/>TO ANY PERSON, CORPORATION OR OTHER ENTITY, DUPLICATED, AND/OR USED, EXCEPT<br/>AS EXPRESSLY APPROVED IN WRITING IN ADVANCE BY OWNER. THIS DOCUMENT SHALL<br/>BE RETURNED TO OWNER UPON REQUEST. IT MAY BE SUBJECT TO CERTAIN<br/>RESTRICTIONS UNDER APPLICABLE EXPORT CONTROL LAWS AND REGULATIONS.</small> |                      |                    |



|                           |  |                                  |
|---------------------------|--|----------------------------------|
| DRAWN BY<br>LZ            | <b>Regal Beloit America, Inc.</b>  |                                  |
| DATE<br>01-04-1994        |  |                                  |
| APPROVED BY<br>GK         | DESCRIPTION<br><b>CONN DIAGRAM-EXTERNAL</b><br>3Ø-SINGLE VOLT-MOTOR WITH PROTECTOR |                                  |
| DATE<br>01-20-1994        | MATERIAL   |                                  |
| REFERENCE                 | PROCESS/FINISH   |                                  |
| THIRD ANGLE<br>PROJECTION | SIZE<br><b>A</b>   | DRAWING NUMBER<br><b>EE7300T</b> |
|                           |  | SHEET<br>1 OF 1                  |

**CERTIFICATION DATA SHEET**

**Model#:** 256TTTNA18601 AA      **WINDING#:** K256851 NONE 3  
**CONN. DIAGRAM:** A-EE7300T      **ASSEMBLY:** F1/F2 CAPABLE  
**OUTLINE:** B-SS203092-1225

**TYPICAL MOTOR PERFORMANCE DATA**

| HP    | KW   | SYNC. RPM | F.L. RPM | FRAME | ENCLOSURE | KVA CODE | DESIGN |
|-------|------|-----------|----------|-------|-----------|----------|--------|
| 7 1/2 | 5.60 | 900       | 872      | 256T  | TEAO      | G        | B      |

| PH | Hz | VOLTS | FL AMPS | START TYPE          | DUTY           | INSL | S.F  | AMB°C | ELEVATION |
|----|----|-------|---------|---------------------|----------------|------|------|-------|-----------|
| 3  | 60 | 575   | 8.7     | LINE OR<br>INVERTER | CONTINUOU<br>S | H4   | 1.15 | 90    | 3300      |

| FULL LOAD EFF: 88.5 | 3/4 LOAD EFF: 88.5 | 1/2 LOAD EFF: 87.5 | GTD. EFF | ELEC. TYPE        | NO LOAD AMPS |
|---------------------|--------------------|--------------------|----------|-------------------|--------------|
| FULL LOAD PF: 73    | 3/4 LOAD PF: 67    | 1/2 LOAD PF: 56    | 87.5     | SQ CAGE INV RATED | 4.5          |

| F.L. TORQUE | LOCKED ROTOR AMPS | L.R. TORQUE  | B.D. TORQUE   | F.L. RISE°C |
|-------------|-------------------|--------------|---------------|-------------|
| 45 LB-FT    | 43.2              | 80 LB-FT 178 | 100 LB-FT 222 | 0           |

| SOUND PRESSURE @ 3 FT. | SOUND POWER | ROTOR WK^2 | MAX. WK^2 | SAFE STALL TIME | STARTS /HOUR | APPROX. MOTOR WGT |
|------------------------|-------------|------------|-----------|-----------------|--------------|-------------------|
| - dBA                  | - dBA       | 3 LB-FT^2  | - LB-FT^2 | 20 SEC.         | -            | 360 LBS.          |

**\*\*\* SUPPLEMENTAL INFORMATION \*\*\***

| DE BRACKET TYPE | ODE BRACKET TYPE | MOUNT TYPE | ORIENTATION | SEVERE DUTY            | HAZARDOUS LOCATION | DRIP COVER | SCREENS | PAINT        |
|-----------------|------------------|------------|-------------|------------------------|--------------------|------------|---------|--------------|
| STANDARD        | STANDARD         | RIGID      | HORIZONTAL  | PREMIUM<br>SEVERE DUTY | NONE               | FALSE      | NONE    | BLUE (EPOXY) |

| BEARINGS                  |                           | GREASE | SHAFT TYPE | SPECIAL DE | SPECIAL ODE | SHAFT MATERIAL             | FRAME MATERIAL |
|---------------------------|---------------------------|--------|------------|------------|-------------|----------------------------|----------------|
| DE                        | OPE                       |        |            |            |             |                            |                |
| BALL / HEAT<br>STABILIZED | BALL / HEAT<br>STABILIZED | DC 44M | T          | NONE       | NONE        | 1045 HOT<br>ROLLED (C-204) | CAST IRON      |
| 6309                      | 6210                      |        |            |            |             |                            |                |

| THERMO-PROTECTORS |            |          |          | THERMISTORS | CONTROL | SPACE /n HEATERS |
|-------------------|------------|----------|----------|-------------|---------|------------------|
| THERMOSTATS       | PROTECTORS | WDG RTDs | BRG RTDs |             |         |                  |
| TSTATS CLH (N/C)  | NOT        | NONE     | NONE     | NONE        | FALSE   | NONE VOLTS       |

If Inverter equals NONE, contact factory for further information

|                                |
|--------------------------------|
| INVERTER TORQUE: VARIABLE 20:1 |
| INV. HP SPEED RANGE: NONE      |
| ENCODER: NONE                  |
| NONE NONE                      |
| NONE NONE PPR                  |
| BRAKE: NONE NONE               |
| NONE P/N NONE                  |
| NONE NONE                      |
| NONE FT-LB NONE V NONE Hz      |

\*  
N  
O  
T  
E  
S  
\*

DATE: 06/23/2017 07:24:55 AM  
 FORM 3531 REV.3 02/07/99  
 \*\* Subject to change without notice.

Data Sheet

Date: 6/29/2017

256TTNA18601

Customer: \_\_\_\_\_



Attention: \_\_\_\_\_

Submittal

Submitted by: FAREEDA DUDEKULA

Data @ 575 V

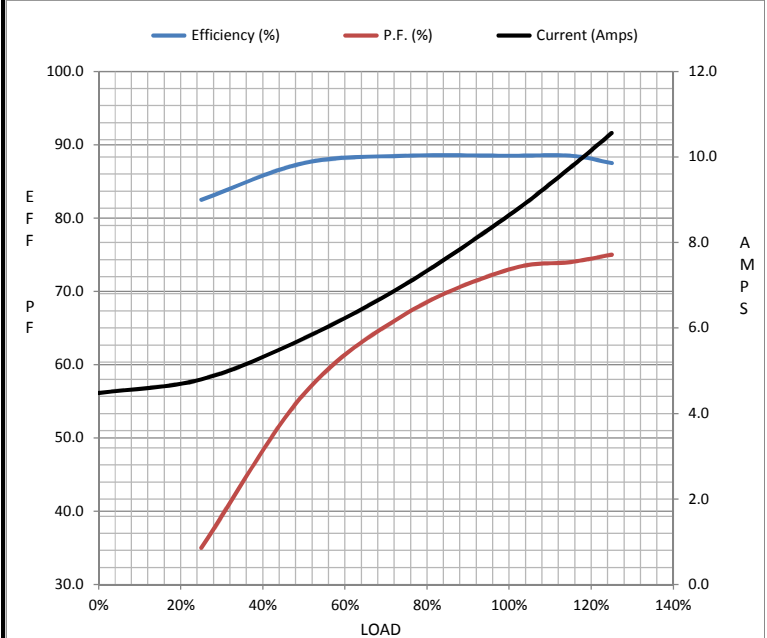
Motor Load Data

| Load           | 0%   | 25%  | 50%  | 75%  | 100% | 115% | 125% | LR   |  |
|----------------|------|------|------|------|------|------|------|------|--|
| Current (Amps) | 4.5  | 4.8  | 5.8  | 7.0  | 8.6  | 9.8  | 10.6 | 43.2 |  |
| Torque (ft-lb) | 0.00 | 11.0 | 22.0 | 33.5 | 45.0 | 52.0 | 57.0 | 80.0 |  |
| RPM            | 900  | 895  | 888  | 880  | 872  | 868  | 862  | 0    |  |
| Efficiency (%) |      | 82.5 | 87.5 | 88.5 | 88.5 | 88.5 | 87.5 |      |  |
| P.F. (%)       | 5.5  | 35.0 | 56.0 | 67.0 | 73.0 | 74.0 | 75.0 | 40.0 |  |

Motor Speed Data

|                | LR   | Pull-Up | BD   | Rated | Idle |
|----------------|------|---------|------|-------|------|
| Speed (RPM)    | 0    | 450     | 775  | 872   | 900  |
| Current (Amps) | 43.2 | 40.0    | 26.4 | 8.6   | 4.5  |
| Torque (ft-lb) | 80.0 | 70.0    | 100  | 45.0  | 0.00 |

| Information Block           |                        |        |        |         |
|-----------------------------|------------------------|--------|--------|---------|
| HP                          | 7.5                    |        |        |         |
| Sync. RPM                   | 900                    |        |        |         |
| Frame                       | 256                    |        |        |         |
| Enclosure                   | TEAO                   |        |        |         |
| Construction                | TTN                    |        |        |         |
| Voltage                     | 575 V                  |        |        |         |
| Frequency                   | 60 Hz                  |        |        |         |
| Design                      | B                      |        |        |         |
| LR Code letter              | G                      |        |        |         |
| Service Factor              | 1.15                   |        |        |         |
| Temp Rise @ FL              | 0 °C                   |        |        |         |
| Duty                        | CONT                   |        |        |         |
| Ambient                     | 40 °C                  |        |        |         |
| Elevation                   | 1,000 feet             |        |        |         |
| Rotor/Shaft wk <sup>2</sup> | 3.0 Lb-Ft <sup>2</sup> |        |        |         |
| Ref Wdg                     | K256851 NONE           |        |        |         |
| Sound Pressure @ 1M         | 999 dBA                |        |        |         |
| VFD Rating                  | VARIABLE 20:1          |        |        |         |
| Outline Dwg                 | B-SS203092-1225        |        |        |         |
| Conn. Diag                  | A-EE7300T              |        |        |         |
| Additional Specifications:  |                        |        |        |         |
| 0                           |                        |        |        |         |
| 0                           |                        |        |        |         |
| EQUIV CKT (OHMS / PHASE)    |                        |        |        |         |
| R1                          | R2                     | X1     | X2     | Xm      |
| 1.3230                      | 1.3050                 | 5.3160 | 6.6740 | 71.2880 |



Speed -Torque Curve

