

# PRODUCT INFORMATION PACKET

Model No: 256TTTCD16544

Catalog No: U1872A

XRI®-SD Cooling Tower Motor, 20 & 15 HP, 3 Ph, 60 & 50 Hz, 230/460 & 190/380 V, 1800 & 1500 RPM,  
256TV Frame, TEAO



Regal and Marathon are trademarks of Regal Rexnord Corporation or one of its affiliated companies.

©2023 Regal Rexnord Corporation, All Rights Reserved. MC017097E



### Nameplate Specifications

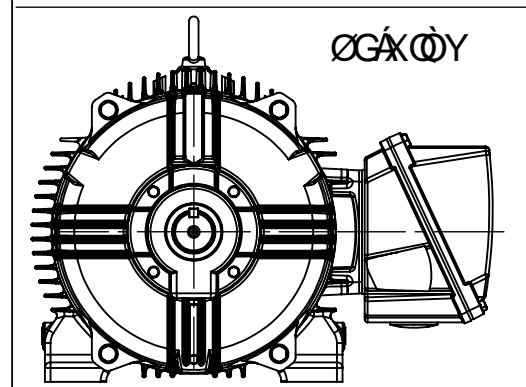
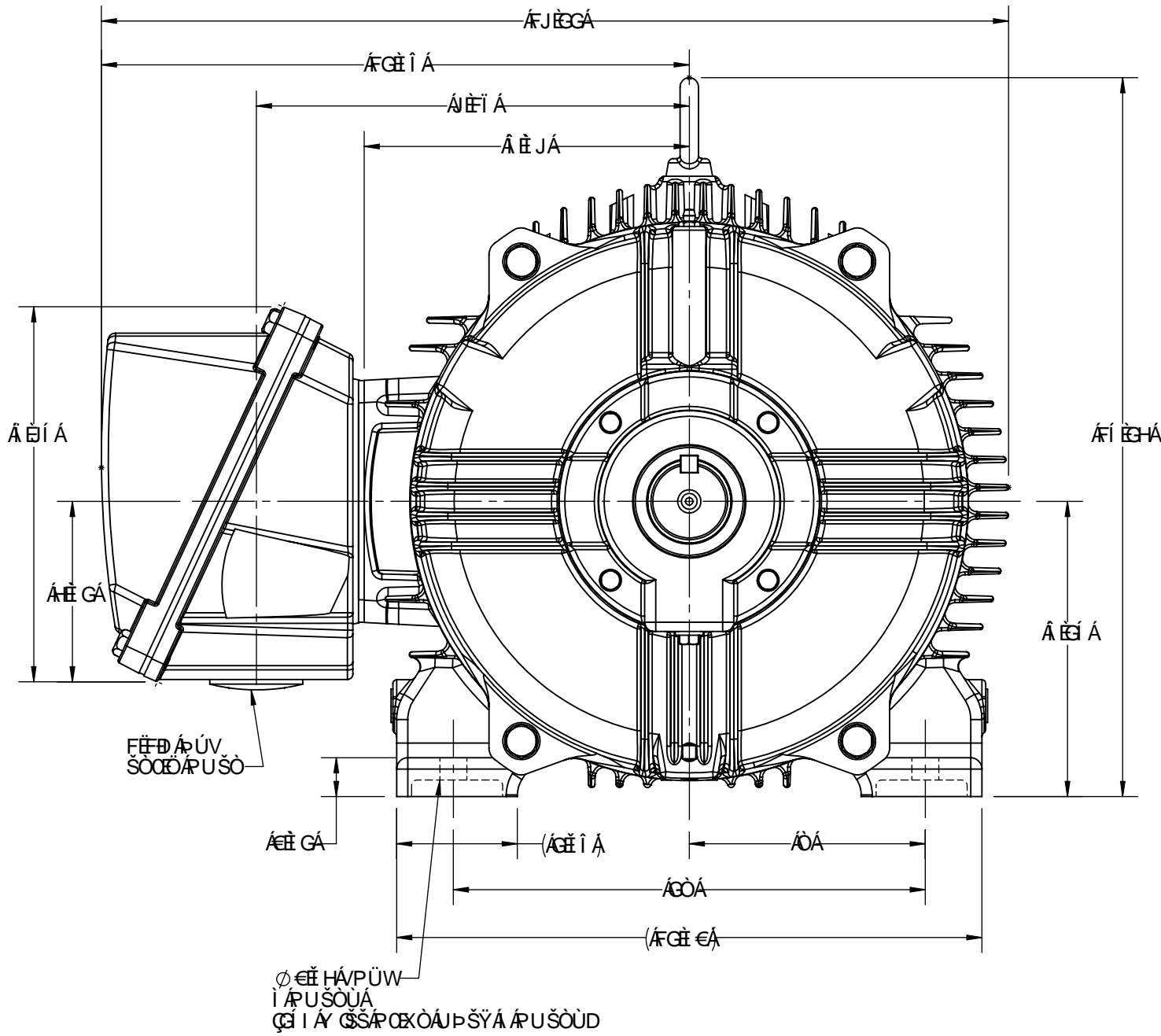
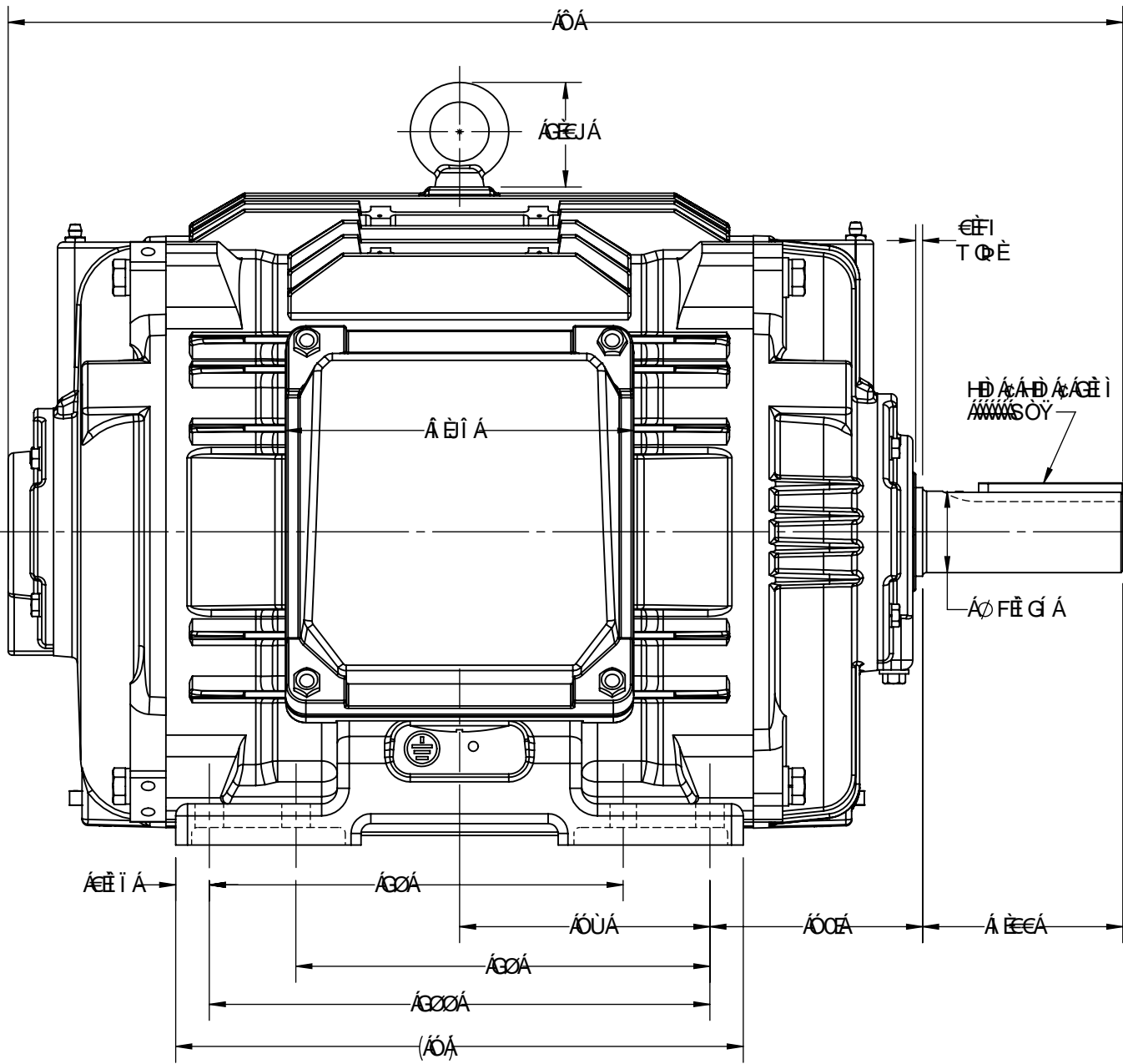
Phase	<b>3</b>	Output HP	<b>20 &amp; 15 Hp</b>
Output KW	<b>14.9 &amp; 11.2 kW</b>	Voltage	<b>230/460 &amp; 190/380 V</b>
Speed	<b>1768 &amp; 1472 rpm</b>	Service Factor	<b>1.15 &amp; 1.15</b>
Frame	<b>256TV</b>	Enclosure	<b>Totally Enclosed Air Over</b>
Thermal Protection	<b>No Protection</b>	Efficiency	<b>93 &amp; 92.7 %</b>
Ambient Temperature	<b>40 °C</b>	Frequency	<b>60 &amp; 50 Hz</b>
Current	<b>48.5/24.2 &amp; 44.5/22.3 A</b>	Power Factor	<b>83.5</b>
Duty	<b>Continuous</b>	Insulation Class	<b>H</b>
Design Code	<b>B</b>	KVA Code	<b>G</b>
Drive End Bearing Size	<b>6309</b>	Opp Drive End Bearing Size	<b>6209</b>
UL	<b>Recognized</b>	CSA	<b>Y</b>
CE	<b>Y</b>	IP Code	<b>56</b>
Number of Speeds	<b>1</b>		

### Technical Specifications

Electrical Type	<b>Squirrel Cage Inverter Rated</b>	Starting Method	<b>Line Or Inverter</b>
Poles	<b>4</b>	Rotation	<b>Reversible</b>
Resistance Main	<b>.513 Ohms</b>	Mounting	<b>Rigid Base</b>
Motor Orientation	<b>Horizontal Or Up Or Down</b>	Drive End Bearing	<b>Ball</b>
Opp Drive End Bearing	<b>Ball</b>	Frame Material	<b>Cast Iron</b>
Shaft Type	<b>T</b>	Shaft Diameter	<b>1.625 in</b>
Assembly/Box Mounting	<b>F1/F2 CAPABLE</b>	Inverter Load	<b>CONSTANT 10:1/VARIABLE 10:1</b>
Connection Drawing	<b>EE7308</b>	Outline Drawing	<b>SS620955-200</b>

This is an uncontrolled document once printed or downloaded and is subject to change without notice. Date Created:06/22/2023

ÖÜPÁUÈ	Ó	Ò	Ò	Ò	Ø	ØØ	Ó	Ó	T U W V Ø Ò	ØÜØ Ò
FÈÈ	JÈÈ	GÈÈ H	ÍÈÈ	FÈÈÈ	È	ÌÈÈ	ÌÈÈ	ÌÈÈ	ØFÁÜØG	ÍIV
GÈÈ	FFÈÈ	GGÈÈ			ÌÈÈ	FÈÈÈ		ÌÈÈ		ÍIV



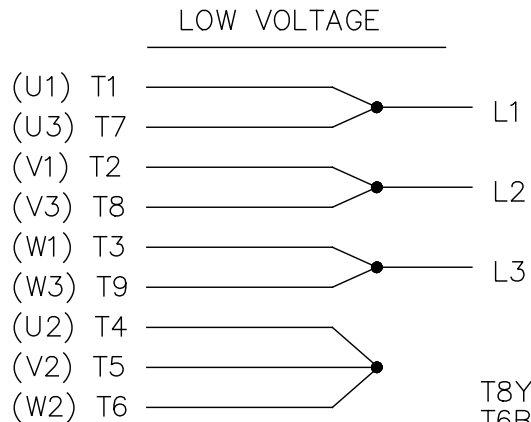
ÖÜPÁUÈ	Ó	Ò	Ò	Ò	Ø	ØØ	Ó	Ó	T U W V Ø Ò	ØÜØ Ò
FÈÈ	JÈÈ	GÈÈ H	ÍÈÈ	FÈÈÈ	È	ÌÈÈ	ÌÈÈ	ÌÈÈ	ØFÁÜØG	ÍIV
GÈÈ	FFÈÈ	GGÈÈ			ÌÈÈ	FÈÈÈ		ÌÈÈ		ÍIV

ÖÜPÁUÈ	Ó	Ò	Ò	Ò	Ø	ØØ	Ó	Ó	T U W V Ø Ò	ØÜØ Ò
FÈÈ	JÈÈ	GÈÈ H	ÍÈÈ	FÈÈÈ	È	ÌÈÈ	ÌÈÈ	ÌÈÈ	ØFÁÜØG	ÍIV
GÈÈ	FFÈÈ	GGÈÈ			ÌÈÈ	FÈÈÈ		ÌÈÈ		ÍIV

ÖÜPÁUÈ	Ó	Ò	Ò	Ò	Ø	ØØ	Ó	Ó	T U W V Ø Ò	ØÜØ Ò
FÈÈ	JÈÈ	GÈÈ H	ÍÈÈ	FÈÈÈ	È	ÌÈÈ	ÌÈÈ	ÌÈÈ	ØFÁÜØG	ÍIV
GÈÈ	FFÈÈ	GGÈÈ			ÌÈÈ	FÈÈÈ		ÌÈÈ		ÍIV

EE7308

THREE PHASE  
DUAL VOLTAGE MOTOR



VIEW OF TERMINAL END

REF.  
WINDING DIAGRAM

T8Y, T2Y, T2BL, T4BX, T2EC, T2G  
T6BZ, T2B, T6BL, T4AV, T6B, T4B

OPTIONAL CORD  
CONNECTION

L1 — WHITE  
L2 — RED  
L3 — BLACK

NO.	REVISION	BY & DATE	CHK	ANG	TOLERANCES UNLESS SPECIFIED		FINISH	DRAWN RM 11/20/1990				
					DEC.	INCHES						
5	CHG TO REGAL LOGO	SL 09/10/2015	AB					CHK ML 11/21/1990				
4	REVISED IEC NOTATIONS	MSG 11/15/2011	CMN	.X	±.1			APPD SAS 04/24/2003				
3	ADDED IEC NOTATIONS... (U1), (V1) ETC. MU95194	MSG 5/10/2010	MJS	.XX	±.02			SCALE 1=1				
2	ADDED THE OPTIONAL CORD CONNECTION MU46318	RDH 04/24/2003	DRS	.XXX	±.005		TITLE CONNECTION DIAGRAM 3Ø - DUAL VOLTAGE MOTOR	REF				
1	REDRAWN	RM 11/20/1990		.XXXX	±.0005		MAT'L.	FMF				
					±7'30"			PREV				
THIS DRAWING IN DESIGN AND DETAIL IS OUR PROPERTY AND MUST NOT BE USED EXCEPT IN CONNECTION WITH OUR WORK ALL RIGHTS OF DESIGN AND INVENTION ARE RESERVED THIS IS AN ELECTRONICALLY GENERATED DOCUMENT - DO NOT SCALE THIS PRINT							RFP	CAD FILE ee7308	SIZE A	DRAWING NO. EE7308	PAGE OF 5	REV. 5
							DIST WP					



Regal Beloit America, Inc.