

PRODUCT INFORMATION PACKET

Model No: 256TTGP7012

Catalog No: C308

Other Purpose Motor, 20 HP, 3 Ph, 60 Hz, 230/460 V, 3600 RPM, 256TC Frame, EPFC

Regal and are trademarks of Regal Rexnord Corporation or one of its affiliated companies.
©2022 Regal Rexnord Corporation, All Rights Reserved. MC017097E



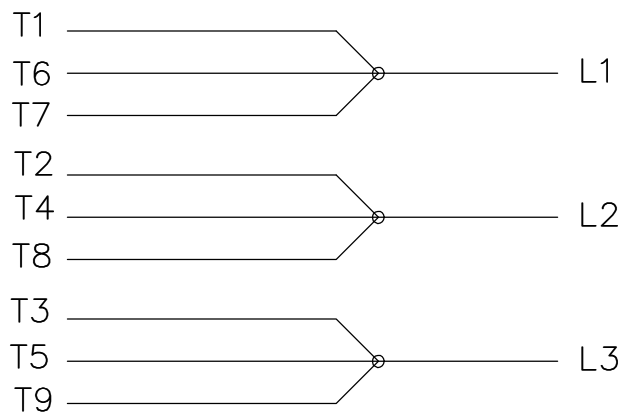
Nameplate Specifications

Output HP	20 Hp	Output KW	14.9 kW
Frequency	60 Hz	Voltage	230/460 V
Current	49.5/24.8 A	Speed	3500 rpm
Service Factor	1	Phase	3
Efficiency	88.5 %	Power Factor	86
Duty	Continuous	Insulation Class	F
Design Code	B	KVA Code	G
Frame	256TC	Enclosure	Explosion Proof Fan cooled
Thermal Protection	No Protection	Ambient Temperature	40 °C
Drive End Bearing Size	6309	Opp Drive End Bearing Size	6207
UL	Listed	CSA	Y
CE	N	IP Code	54
Number of Speeds	1		

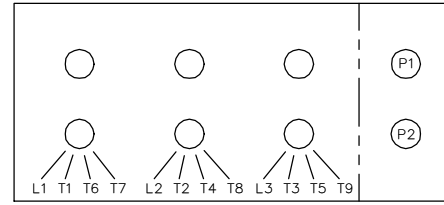
Technical Specifications

Electrical Type	Squirrel Cage Inverter Rated	Starting Method	Line Or Inverter
Poles	2	Rotation	Reversible
Resistance Main	.5 Ohms	Mounting	Round
Motor Orientation	Horizontal	Drive End Bearing	Ball
Opp Drive End Bearing	Ball	Frame Material	Cast Iron
Shaft Type	T	Overall Length	25.94 in
Frame Length	13.50 in	Shaft Diameter	1.625 in
Shaft Extension	4 in	Assembly/Box Mounting	F1 ONLY
Connection Drawing	A-EE7308AD	Outline Drawing	B-SS203008-1350

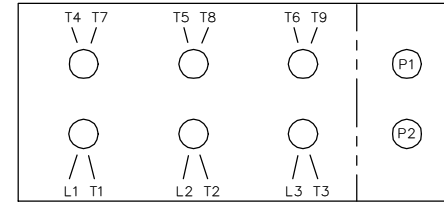
LOW VOLTAGE



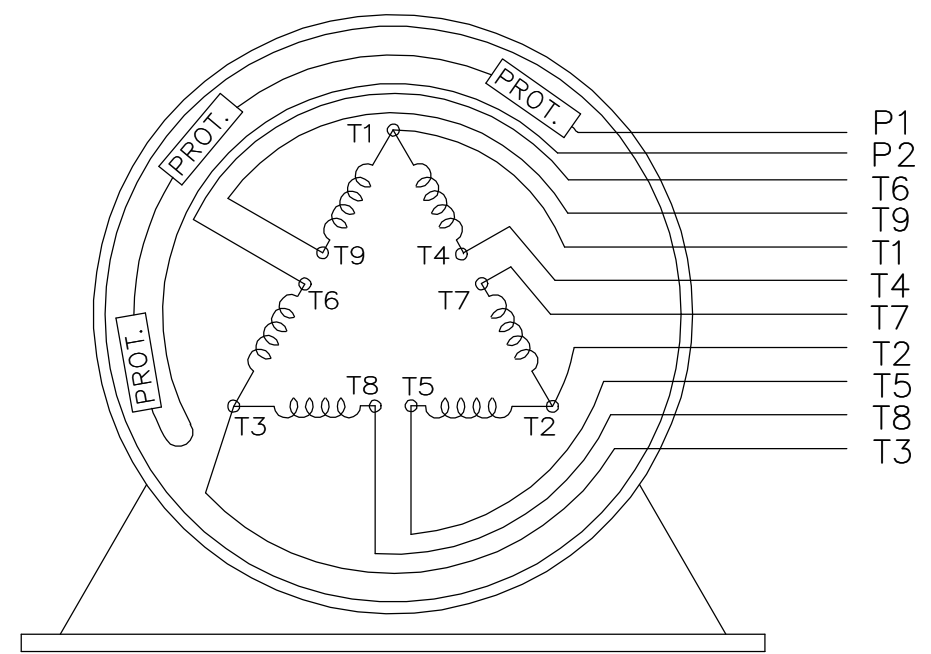
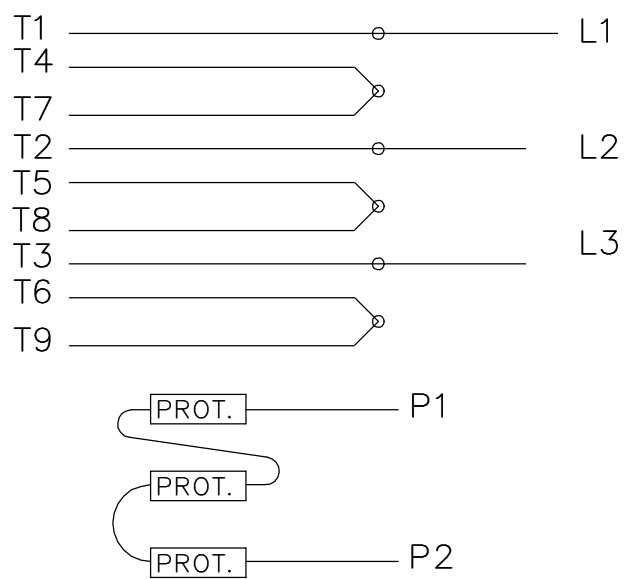
LOW VOLTAGE



HIGH VOLTAGE



HIGH VOLTAGE



VIEW OF TERMINAL END

WHEN MORE THAN ONE PROT. IS USED; PROT. ARE CONNECTED IN SERIES

DRAWING REVISION L	REVISION BY JP	REV DATE/© DATE 06-21-2019	TOLERANCES (EXCEPT AS NOTED): DEC. INCH mm ANGLE .X ±0.1 [±3] ±7° 30" .XX ±0.02 [±0.5] .XXX ±0.005 [±0.13] .XXXX ±0.0005 [±0.013] REMOVE BURRS & BREAK SHARP EDGES: .003/.015 [.08/.38] X 45° CORNER FILLETS: R.02 [.5] MACHINED SURFACES: 200/ 5.1 INCH mm mm DIMENSIONS IN [BRACKETS] ARE FOR REFERENCE ONLY	DRAWN BY MJD	Regal Beloit America, Inc.		
ECO ECO-0168744	APPROVED BY MH	DATE 06-21-2019		DATE 12-19-1997			
ECO DESCRIPTION UPDATED TO CURRENT STANDARDS			THIRD ANGLE PROJECTION	APPROVED BY GK	DESCRIPTION CONN DIAGRAM-EXTERNAL		
COPYRIGHT (PER REVISION DATE) REGAL BELOIT AMERICA, INC. ALL RIGHTS RESERVED. PROPRIETARY AND CONFIDENTIAL INFORMATION - THIS DOCUMENT IS THE PROPERTY OF REGAL BELOIT AMERICA, INC. ("OWNER") AND CONTAINS OWNER'S PROPRIETARY INFORMATION. ANY PERSON, CORPORATION OR OTHER FIRM RECEIVING IT IS DEEMED, BY RECEIVING IT, TO AGREE THAT IT, AND/OR ANY PART OF IT, SHALL NOT BE DISCLOSED TO ANY PERSON, CORPORATION OR OTHER ENTITY, DUPLICATED, AND/OR USED, EXCEPT AS EXPRESSLY APPROVED IN WRITING IN ADVANCE BY OWNER. THIS DOCUMENT SHALL BE RETURNED TO OWNER UPON REQUEST. IT MAY BE SUBJECT TO CERTAIN RESTRICTIONS UNDER APPLICABLE EXPORT CONTROL LAWS AND REGULATIONS.				DATE 01-07-1998		MATERIAL	PROCESS/FINISH
				REFERENCE	SIZE A	DRAWING NUMBER EE7308AD	SHEET 1 OF 1