

# PRODUCT INFORMATION PACKET

**marathon**<sup>®</sup>  
Motors

Model No: 256TTGN18537  
Catalog No: 256TTGN18537  
20,1800,EPFC,256TCZ,3/60/460

Regal and Marathon are trademarks of Regal Rexnord Corporation or one of its affiliated companies.  
©2023 Regal Rexnord Corporation, All Rights Reserved. MC017097E

The logo for Regal Rexnord, featuring a stylized 'R' icon followed by the text 'RegalRexnord'.

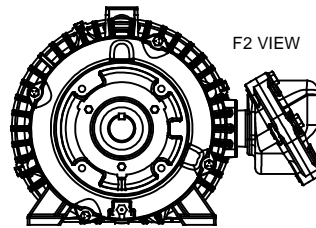
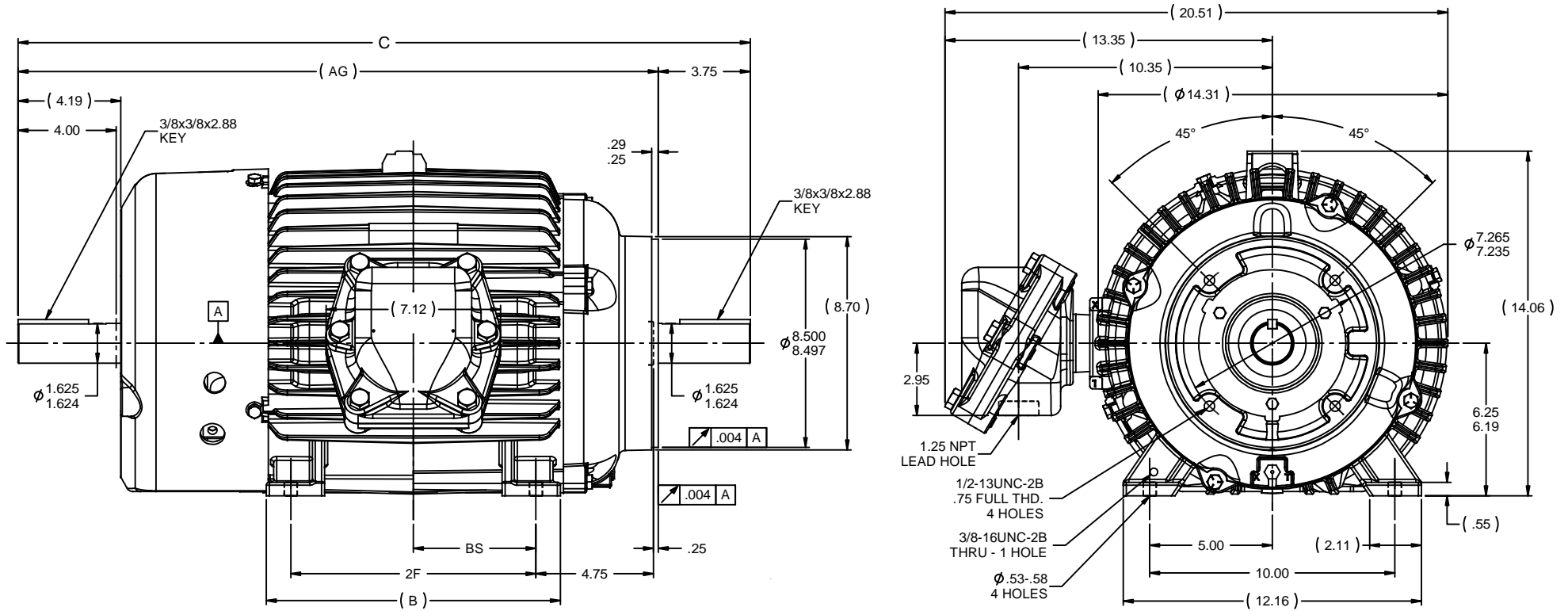
### Nameplate Specifications

Phase	<b>3</b>	Output HP	<b>20 Hp</b>
Output KW	<b>14.9 kW</b>	Voltage	<b>460 V</b>
Speed	<b>1765 rpm</b>	Service Factor	<b>1.15</b>
Frame	<b>256TCZ</b>	Enclosure	<b>Explosion Proof Fan cooled</b>
Thermal Protection	<b>No Protection</b>	Efficiency	<b>90.2 %</b>
Ambient Temperature	<b>40 °C</b>	Frequency	<b>60 Hz</b>
Current	<b>25.0 A</b>	Power Factor	<b>82</b>
Duty	<b>Continuous</b>	Insulation Class	<b>F</b>
Design Code	<b>B</b>	KVA Code	<b>F</b>
Drive End Bearing Size	<b>309</b>	Opp Drive End Bearing Size	<b>210</b>
UL	<b>No</b>	CSA	<b>N</b>
CE	<b>N</b>	IP Code	<b>54</b>
Number of Speeds	<b>1</b>	Hazardous Location	<b>EXP PROOF CL I GR C&amp;D T2A</b>

### Technical Specifications

Electrical Type	<b>Squirrel Cage Inverter Rated</b>	Starting Method	<b>Line Or Inverter</b>
Poles	<b>4</b>	Rotation	<b>Reversible</b>
Resistance Main	<b>.468 Ohms</b>	Mounting	<b>Rigid Base</b>
Motor Orientation	<b>Horizontal</b>	Drive End Bearing	<b>Ball</b>
Opp Drive End Bearing	<b>Ball</b>	Frame Material	<b>Cast Iron</b>
Shaft Type	<b>Special Extension Both Sides</b>	Assembly/Box Mounting	<b>F1 ONLY</b>
Outline Drawing	<b>B-SS208229-1225</b>	Connection Drawing	<b>A-EE7300</b>

This is an uncontrolled document once printed or downloaded and is subject to change without notice. Date Created:08/24/2023



- NOTES:
1. CONDUIT BOX CAN ONLY BE ROTATED CLOCKWISE UP TO 270° FROM ITS ORIGINAL POSITION.
  2. CONDUIT BOX CAN BE MOUNTED ON OPPOSITE SIDE BY REMOVING BRACKETS AND TURNING FRAME 180°
  3. NAMEPLATE TO BE READ FROM CONDUIT BOX SIDE OF MOTOR.

							TOLERANCES UNLESS SPECIFIED		DRAWN MSG 01-17-2011	
							DEC	INCHES	CHK BW 01-17-2011	
							X	±.1	APPR MJS 01-18-2011	
							.XX	±.03	SCALE 1:4	
							.XXX	±.005	REF	
							.XXXI	±.0005	FMF MU100487	
							MATL		PAGE OF	
NO	REVISION	BY	DATE	CHK	ANG	±7'30"	FINISH	SIZE	DRAWING NO	REV
				RFP	01-18-2011	PREV		B	SS208229	
				NETWORK FILE NAME		SS208229			SS208229	



TITLE OUTLINE - EXP. PR. - TGN  
250TCZ FR. - C'FACE - DBL. EXT.

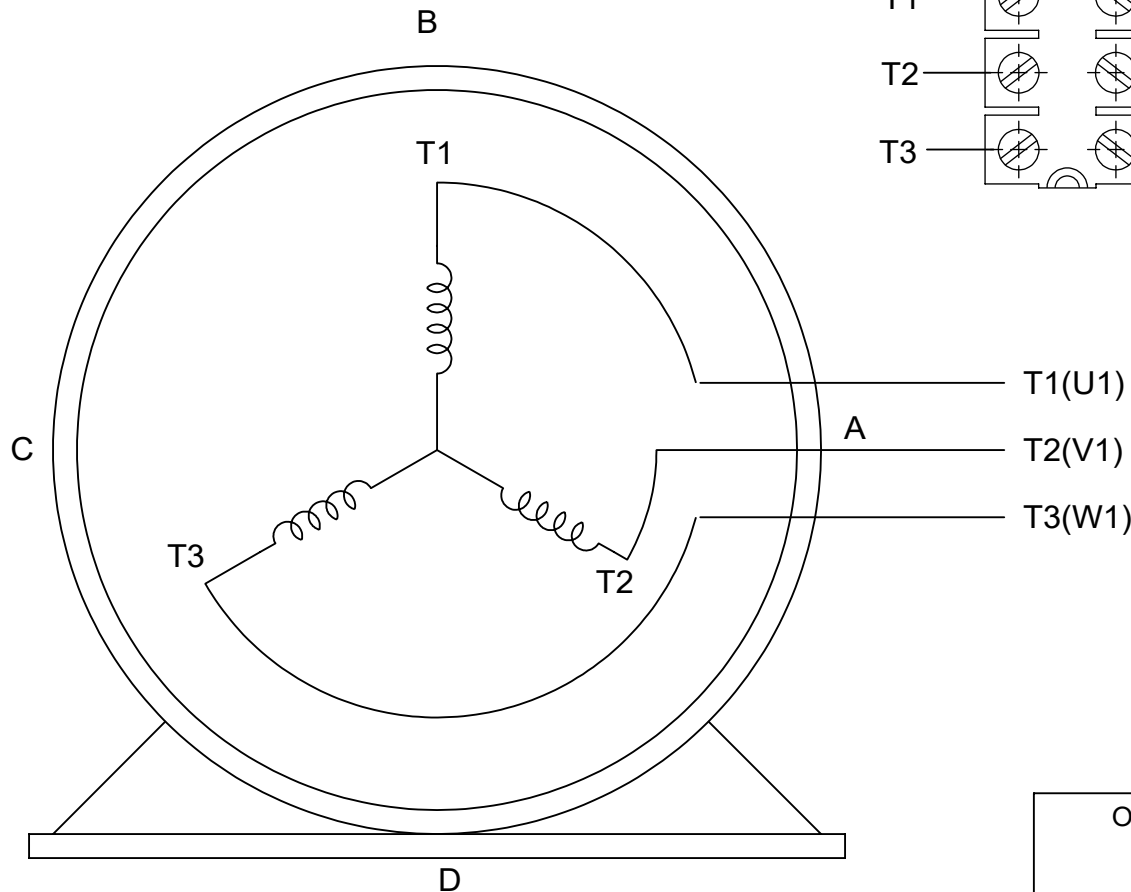
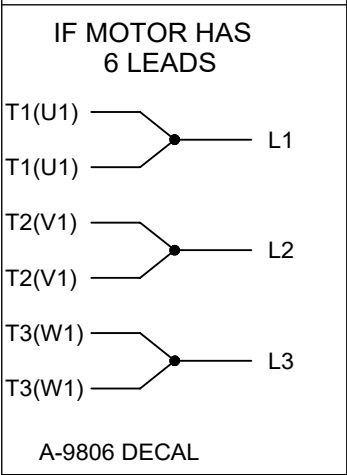
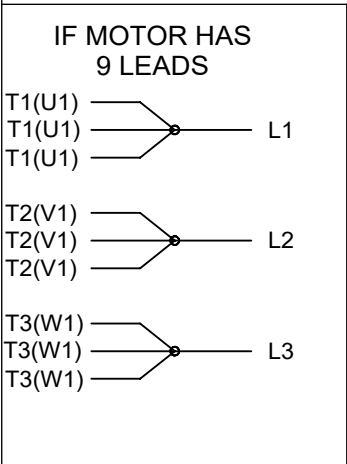
1050	254TCZ	28.12	24.37	10.25	8.25	4.12
1225	256TCZ	29.87	26.12	12.00	10.00	5.00
DASH	FRAME	C	AG	B	2F	BS



THREE PHASE - SINGLE VOLTAGE  
MOTOR - CONDUIT BOX @ 'A'

TERMINAL BLOCK WHEN SPECIFIED

TO REVERSE ROTATION:  
INTERCHANGE ANY TWO LINE  
LEAD CONNECTIONS



VIEW OF TERMINAL END

**OPTIONAL CORD CONNECTION**

L1	WHITE
L2	RED
L3	BLACK

DRAWING REVISION AC	REVISION BY BS	REV DATE/© DATE 26/07/2022
REQUEST NUMBER CR-0010402	APPROVED BY SN	DATE 26/07/2022
REQUEST NUMBER DESCRIPTION DRAWING UPDATED		
<small>COPYRIGHT (PER REVISION DATE) REGAL BELOIT AMERICA, INC. ALL RIGHTS RESERVED. PROPRIETARY AND CONFIDENTIAL INFORMATION - THIS DOCUMENT IS THE PROPERTY OF REGAL BELOIT AMERICA, INC. ("OWNER") AND CONTAINS OWNER'S PROPRIETARY INFORMATION. ANY PERSON, CORPORATION OR OTHER FIRM RECEIVING IT IS DEEMED, BY RECEIVING IT, TO AGREE THAT IT, AND/OR ANY PART OF IT, SHALL NOT BE DISCLOSED TO ANY PERSON, CORPORATION OR OTHER ENTITY, DUPLICATED, AND/OR USED, EXCEPT AS EXPRESSLY APPROVED IN WRITING IN ADVANCE BY OWNER. THIS DOCUMENT SHALL BE RETURNED TO OWNER UPON REQUEST. IT MAY BE SUBJECT TO CERTAIN RESTRICTIONS UNDER APPLICABLE EXPORT CONTROL LAWS AND REGULATIONS.</small>		

PRIMARY DIMENSIONS ARE INCH  
mm DIMENSIONS IN [BRACKETS]  
ARE FOR REFERENCE ONLY

DRAWN BY DA
DATE 03-26-1993
APPROVED BY TB
DATE 03-26-1993
REFERENCE
THIRD ANGLE PROJECTION

		Regal Beloit America, Inc.	
DESCRIPTION <b>CONNECTION DIAGRAM</b> EXTERNAL - SINGLE VOLTAGE - 3Ø MOTOR			
MATERIAL		PROCESS/FINISH	
SIZE <b>A</b>	DRAWING NUMBER <b>EE7300</b>		SHEET 1 OF 1