

# PRODUCT INFORMATION PACKET

**marathon**<sup>®</sup>  
Motors

Model No: 256TTGN14044

Catalog No: C328A

Explosion Proof Motor, 20 & 15 HP, 3 Ph, 60 & 50 Hz, 230/460 & 190/380 V, 1800 & 1500 RPM,  
256TC Frame, EPFC

Regal and Marathon are trademarks of Regal Rexnord Corporation or one of its affiliated companies.

©2023 Regal Rexnord Corporation, All Rights Reserved. MC017097E

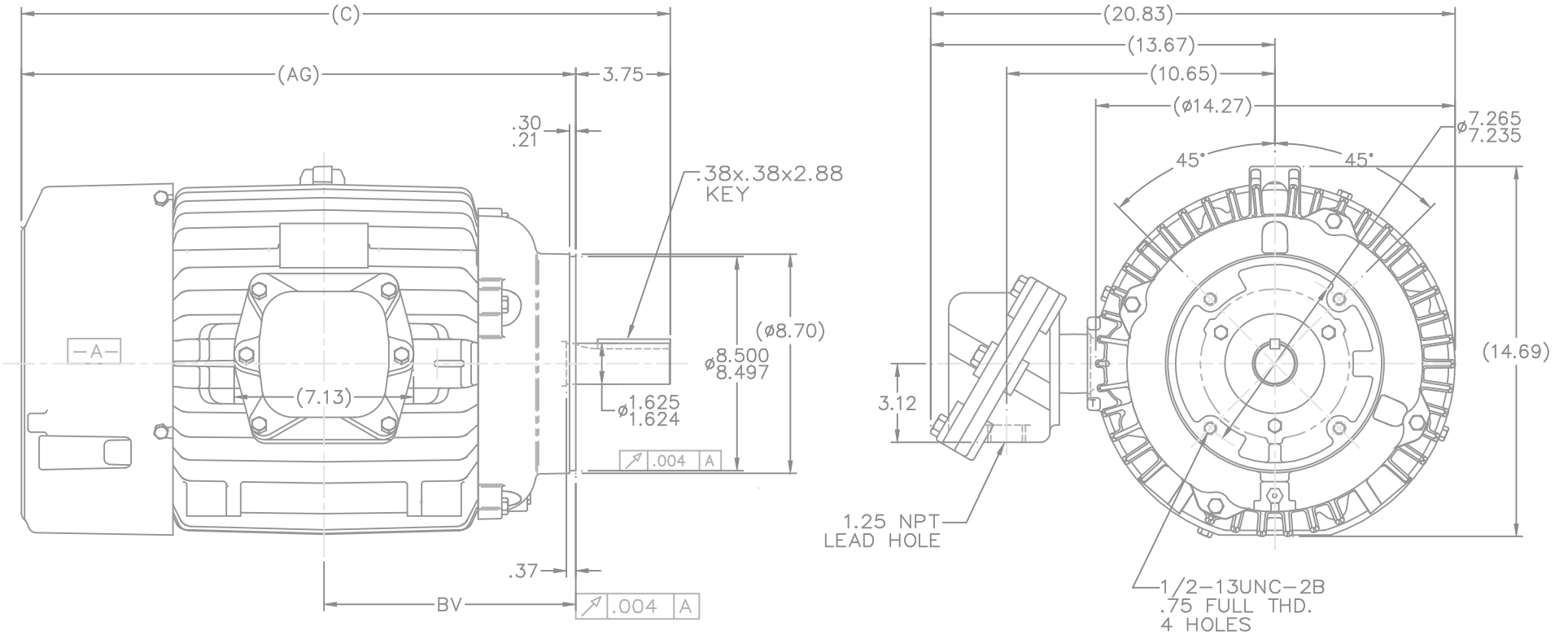
**RegalRexnord**

### Nameplate Specifications

|                        |                                    |                            |   |
|------------------------|------------------------------------|----------------------------|---|
| Phase                  | <b>3</b>                           | Output HP                  | <b>20 &amp; 15 Hp</b>                                 |
| Output KW              | <b>14.9 &amp; 11.2 kW</b>          | Voltage                    | <b>230/460 &amp; 190/380 V</b>                        |
| Speed                  | <b>1765 &amp; 1470 rpm</b>         | Service Factor             | <b>1.0 &amp; 1.0</b>                                  |
| Frame                  | <b>256TC</b>                       | Enclosure                  | <b>Explosion Proof Fan cooled</b>                     |
| Thermal Protection     | <b>Thermostat</b>                  | Efficiency                 | <b>91 &amp; 91 %</b>                                  |
| Ambient Temperature    | <b>40 °C</b>                       | Frequency                  | <b>60 &amp; 50 Hz</b>                                 |
| Current                | <b>50/25 &amp; 45/22.5 A</b>       | Power Factor               | <b>82</b>   |
| Duty                   | <b>Continuous</b>                  | Insulation Class           | <b>F</b>  |
| Design Code            | <b>B</b>                           | KVA Code                   | <b>F</b>  |
| Drive End Bearing Size | <b>6309</b>                        | Opp Drive End Bearing Size | <b>6210</b>   |
| UL                     | <b>UL Listed And CSA Certified</b> | CSA                        | <b>Y</b>  |
| CE                     | <b>N</b>                           | IP Code                    | <b>54</b>   |
| Number of Speeds       | <b>1</b>                           | Hazardous Location         | <b>EXP PROOF CL I GR C&amp;D CL II GR F&amp;G T3B</b> |

### Technical Specifications

|                       |                                    |                       |                        |
|-----------------------|------------------------------------|-----------------------|------------------------|
| Electrical Type       | <b>Squirrel Cage Induction Run</b> | Starting Method       | <b>Across The Line</b> |
| Poles                 | <b>4</b>                           | Rotation              | <b>Reversible</b>      |
| Resistance Main       | <b>.468 Ohms</b>                   | Mounting              | <b>Round</b>           |
| Motor Orientation     | <b>Horizontal</b>                  | Drive End Bearing     | <b>Ball</b>            |
| Opp Drive End Bearing | <b>Ball</b>                        | Frame Material        | <b>Cast Iron</b>       |
| Shaft Type            | <b>T</b>                           | Overall Length        | <b>25.77 in</b>        |
| Frame Length          | <b>12.25 in</b>                    | Shaft Diameter        | <b>1.625 in</b>        |
| Shaft Extension       | <b>3.75 in</b>                     | Assembly/Box Mounting | <b>F1 ONLY</b>         |
| Outline Drawing       | <b>B-SS207446-1225</b>             | Connection Drawing    | <b>A-EE7308T</b>       |

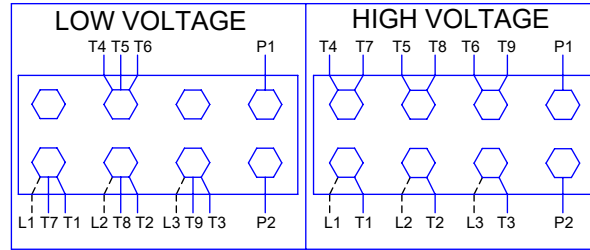
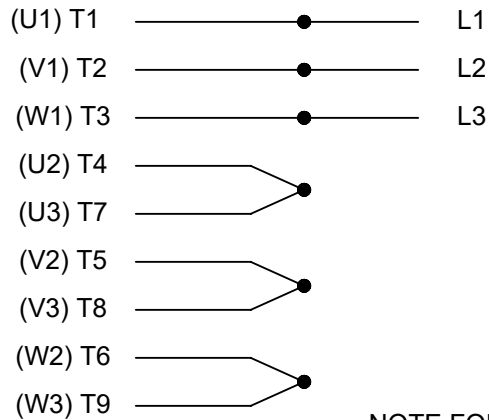


- NOTES:  
 1. BOX CAN BE ROTATED CLOCKWISE UP TO 270° FROM ITS ORIGINAL POSITION.  
 2. NAMEPLATE TO BE READ FROM CONDUIT BOX SIDE OF MOTOR

| DASH | FRAME   | C     | AG    | BV    |
|------|---------|-------|-------|-------|
| 1225 | 254-6TC | 25.77 | 22.02 | 10.00 |

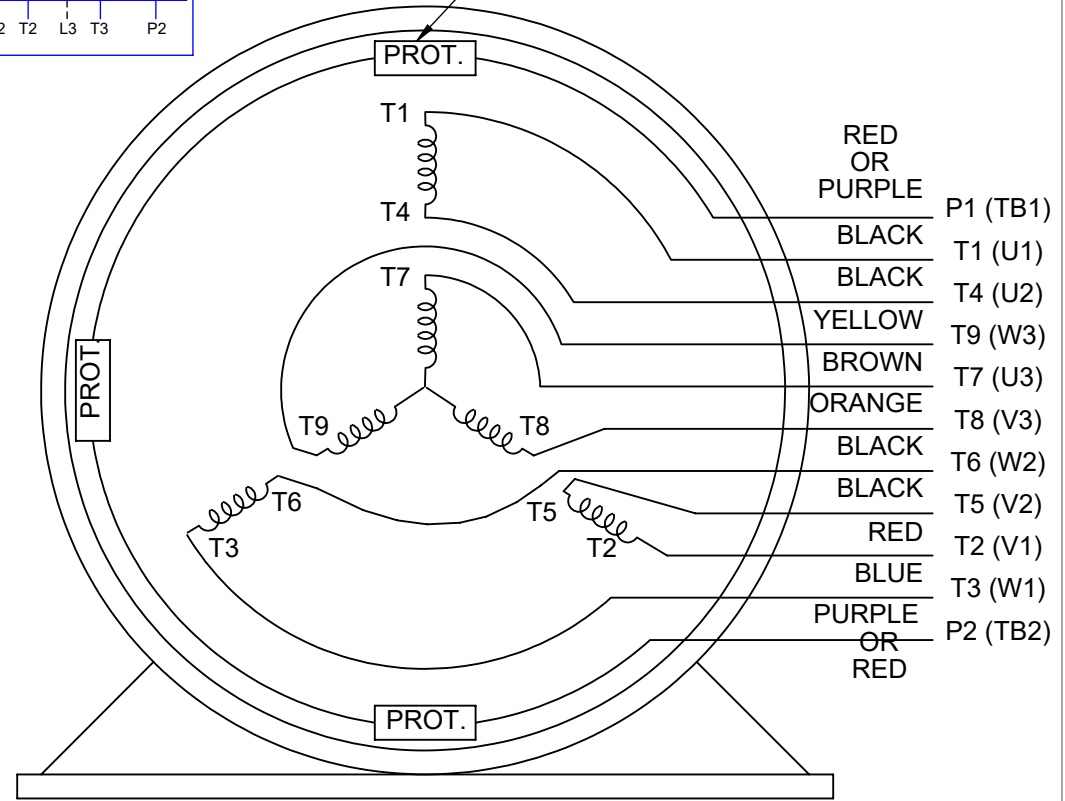
|  |          | TOLERANCES UNLESS SPECIFIED |            | MARATHON ELECTRIC                |            | DRAWN MH 02-05-1998               |            |
|--|----------|-----------------------------|------------|----------------------------------|------------|-----------------------------------|------------|
|  |          | DEC.                        | INCHES     |                                  |            | CHK ML 02-06-1998                 |            |
|  |          | .X                          | ±.1        | TITLE OUTLINE                    |            | APPD TB 02-06-1998                |            |
|  |          | .XX                         | ±.03       | 254-6TC FR. -EXP. PR. - 'C' FACE |            | SCALE 1=4                         |            |
| 2 REDRAWN IN AUTOCAD   |          | RWR                         | 09-27-2004 | FINISH                           |            | REF                               |            |
| 1 NEW DRAWING MU18309  |          | MH                          | 02-06-1998 | CAD FILE ss207446                |            | FMF                               |            |
| NO.  | REVISION | BY                          | DATE       | CHK                              | ANG        | ±7'30"                            | PREV       |
| THIS DRAWING IN DESIGN AND DETAIL IS OUR PROPERTY AND MUST NOT BE USED EXCEPT IN CONNECTION WITH OUR WORK ALL RIGHTS OF DESIGN AND INVENTION ARE RESERVED THIS IS AN ELECTRONICALLY GENERATED DOCUMENT - DO NOT SCALE THIS PRINT |          |                             |            | RFP                              | 02-06-1998 | SIZE DRAWING NO. PAGE 1 OF 1 REV. |            |
|  |          |                             |            | DIST                             | LB         | B                                 | SS207446 2 |

**HIGH VOLTAGE**



**THREE PHASE  
DUAL VOLTAGE MOTOR**

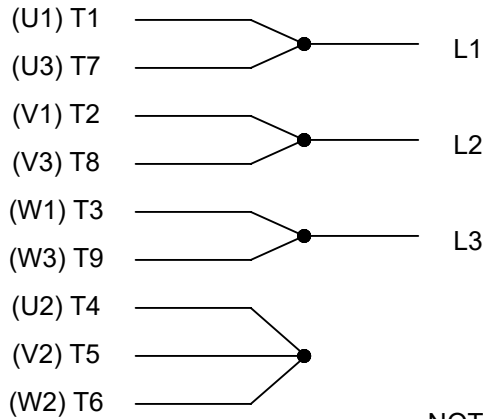
THERMO-PROTECTORS  
CONNECTED IN SERIES



- RED OR PURPLE P1 (TB1)
- BLACK T1 (U1)
- BLACK T4 (U2)
- YELLOW T9 (W3)
- BROWN T7 (U3)
- ORANGE T8 (V3)
- BLACK T6 (W2)
- BLACK T5 (V2)
- RED T2 (V1)
- BLUE T3 (W1)
- PURPLE OR RED P2 (TB2)

**NOTE FOR FACTORY USE ONLY:  
TO SURGE TEST FOR COMMON CONNECT:  
HIGH VOLT: CONNECT P1 TO T1  
THEN P2 TO L1  
LOW VOLT: CONNECT P1 TO T1 & T7,  
THEN P2 TO L1**

**LOW VOLTAGE**



**VIEW OF TERMINAL END**

**NOTE: LEAD'S COLOR CAN BE YELLOW OR WHITE FOR MT2 PLANT**

|   |                          |                           |                                   |                           |   |
|---|--------------------------|---------------------------|-----------------------------------|---------------------------|---|
| DRAWING REVISION<br><b>T</b>  | REVISION BY<br><b>ZR</b> | DATE<br><b>01-14-2019</b> |                                   | DRAWN BY<br><b>SMC</b>    | <b>Regal Beloit America, Inc.</b>           |
| ECO<br><b>ECO-0159915</b>   | APPROVED BY<br><b>DR</b> | DATE<br><b>01-15-2019</b> |                                   | DATE<br><b>05-13-1992</b> |   |
| ECO DESCRIPTION<br><b>ADDED TERMINAL CONNECTION DIAGRAM</b>   |                          |                           |                                   | APPROVED BY<br><b>TB</b>  | DESCRIPTION<br><b>CONN DIAGRAM-INTERNAL</b> |
| <small>COPYRIGHT REGAL BELOIT AMERICA, INC. ALL RIGHTS RESERVED.<br/>PROPRIETARY AND CONFIDENTIAL INFORMATION - THIS DOCUMENT IS THE PROPERTY OF<br/>REGAL BELOIT AMERICA, INC. ("OWNER") AND CONTAINS OWNER'S PROPRIETARY<br/>INFORMATION. ANY PERSON, CORPORATION OR OTHER FIRM RECEIVING IT IS DEEMED,<br/>BY RECEIVING IT, TO AGREE THAT IT, AND/OR ANY PART OF IT, SHALL NOT BE DISCLOSED<br/>TO ANY PERSON, CORPORATION OR OTHER ENTITY, DUPLICATED, AND/OR USED, EXCEPT<br/>AS EXPRESSLY APPROVED IN WRITING IN ADVANCE BY OWNER. THIS DOCUMENT SHALL<br/>BE RETURNED TO OWNER UPON REQUEST. IT MAY BE SUBJECT TO CERTAIN<br/>RESTRICTIONS UNDER APPLICABLE EXPORT CONTROL LAWS AND REGULATIONS.</small> |                          |                           |                                   | DATE<br><b>05-13-1992</b> | <b>3 PHASE - DUAL VOLTAGE MOTOR</b>         |
|   |                          |                           | REFERENCE<br><b>EE7308/EE7300</b> | MATERIAL                  | PROCESS/FINISH                              |
|   |                          |                           | THIRD ANGLE<br>PROJECTION         | SIZE<br><b>A</b>          | DRAWING NUMBER<br><b>EE7308T</b>            |