

# PRODUCT INFORMATION PACKET

**marathon**<sup>®</sup>  
Motors

Model No: 256TTFNA4001

Catalog No: U649

Other Purpose Motor, 20 & 15 HP, 3 Ph, 60 & 50 Hz, 230/460 & 190/380 V, 3600 & 3000 RPM,  
256T Frame, TEFC

Regal and Marathon are trademarks of Regal Rexnord Corporation or one of its affiliated companies.

©2023 Regal Rexnord Corporation, All Rights Reserved. MC017097E

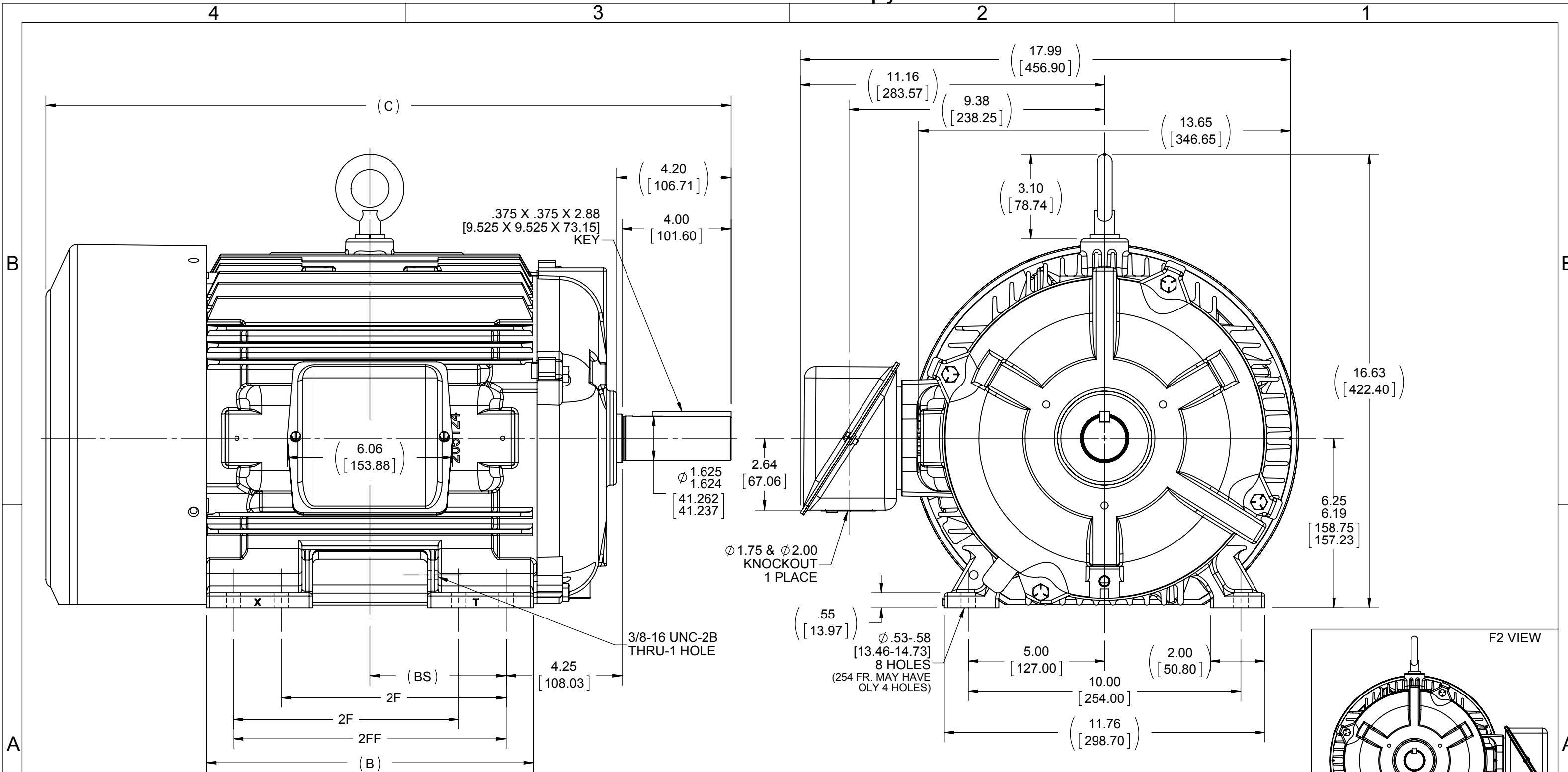
**RegalRexnord**

### Nameplate Specifications

|                        |                              |                            |                                    |
|------------------------|------------------------------|----------------------------|------------------------------------|
| Phase                  | <b>3</b>                     | Output HP                  | <b>20 &amp; 15 Hp</b>              |
| Output KW              | <b>14.9 &amp; 11.2 kW</b>    | Voltage                    | <b>230/460 &amp; 190/380 V</b>     |
| Speed                  | <b>3530 &amp; 2940 rpm</b>   | Service Factor             | <b>1.15 &amp; 1.15</b>             |
| Frame                  | <b>256T</b>                  | Enclosure                  | <b>Totally Enclosed Fan Cooled</b> |
| Thermal Protection     | <b>No Protection</b>         | Efficiency                 | <b>90.2 &amp; 90.2 %</b>           |
| Ambient Temperature    | <b>40 °C</b>                 | Frequency                  | <b>60 &amp; 50 Hz</b>              |
| Current                | <b>47/23.5 &amp; 42/21 A</b> | Power Factor               | <b>87.5</b>                        |
| Duty                   | <b>Continuous</b>            | Insulation Class           | <b>F</b>                           |
| Design Code            | <b>B</b>                     | KVA Code                   | <b>G</b>                           |
| Drive End Bearing Size | <b>6309</b>                  | Opp Drive End Bearing Size | <b>6210</b>                        |
| UL                     | <b>Recognized</b>            | CSA                        | <b>Y</b>                           |
| CE                     | <b>Y</b>                     | IP Code                    | <b>43</b>                          |
| Number of Speeds       | <b>1</b>                     |                            |                                    |

### Technical Specifications

|                       |                                    |                       |                        |
|-----------------------|------------------------------------|-----------------------|------------------------|
| Electrical Type       | <b>Squirrel Cage Induction Run</b> | Starting Method       | <b>Across The Line</b> |
| Poles                 | <b>2</b>                           | Rotation              | <b>Reversible</b>      |
| Resistance Main       | <b>.398 Ohms</b>                   | Mounting              | <b>Rigid Base</b>      |
| Motor Orientation     | <b>Horizontal</b>                  | Drive End Bearing     | <b>Ball</b>            |
| Opp Drive End Bearing | <b>Ball</b>                        | Frame Material        | <b>Cast Iron</b>       |
| Shaft Type            | <b>T</b>                           | Overall Length        | <b>25.27 in</b>        |
| Frame Length          | <b>12.25 in</b>                    | Shaft Diameter        | <b>1.625 in</b>        |
| Shaft Extension       | <b>4.2 in</b>                      | Assembly/Box Mounting | <b>F1/F2 CAPABLE</b>   |
| Connection Drawing    | <b>A-EE7308</b>                    | Outline Drawing       | <b>B-SS203015-1225</b> |



- NOTES:  
 1. BOX CAN BE ROTATED ON ITS AXIS.  
 2. BOX CAN BE MOUNTED ON OPPOSITE SIDE BY REMOVING BRACKETS AND TURNING FRAME 180°  
 3. NAMEPLATE TO BE READ FROM CONDUIT BOX SIDE OF MOTOR

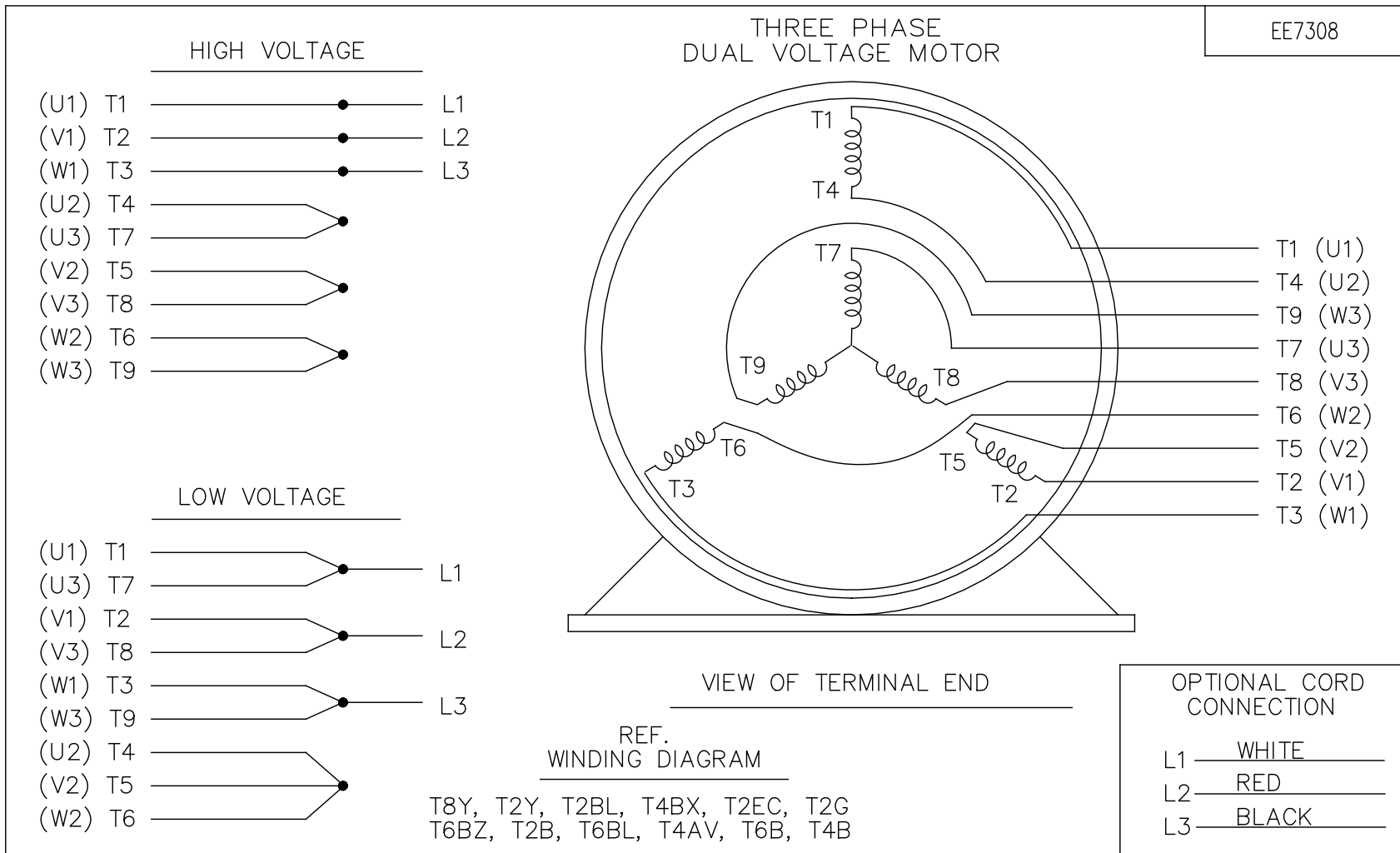
| DASH | FRAME | B              | C              | 2F            | 2FF            | BS            |
|------|-------|----------------|----------------|---------------|----------------|---------------|
| 1050 | 254T  | 10.25 [260.35] | 23.52 [597.41] | -             | 8.25 [209.55]  | 4.12 [104.65] |
| 1225 | 256T  | 12.00 [304.80] | 25.27 [641.86] | 8.25 [209.55] | 10.00 [254.00] | 5.00 [127.00] |

|  |                   |                |
|--|-------------------|----------------|
| DRAWING REVISION<br>F  | REVISION BY<br>DF | DATE<br>7-7-14 |
| ECO<br>ECO-0054340   | APPROVED BY       | DATE           |
| ECO DESCRIPTION<br>NMR-0060600, MU117685   |                   |                |
| <small>COPYRIGHT REGAL BELOIT AMERICA, INC. ALL RIGHTS RESERVED.<br/>                 PROPRIETARY AND CONFIDENTIAL INFORMATION - THIS DOCUMENT IS THE PROPERTY OF REGAL BELOIT AMERICA, INC. ("OWNER") AND CONTAINS OWNER'S PROPRIETARY INFORMATION. ANY PERSON, CORPORATION OR OTHER FIRM RECEIVING IT IS DEEMED, BY RECEIVING IT, TO AGREE THAT IT, AND/OR ANY PART OF IT, SHALL NOT BE DISCLOSED TO ANY PERSON, CORPORATION OR OTHER ENTITY, DUPLICATED, AND/OR USED, EXCEPT AS EXPRESSLY APPROVED IN WRITING IN ADVANCE BY OWNER. THIS DOCUMENT SHALL BE RETURNED TO OWNER UPON REQUEST. IT MAY BE SUBJECT TO CERTAIN RESTRICTIONS UNDER APPLICABLE EXPORT CONTROL LAWS AND REGULATIONS.</small> |                   |                |

TOLERANCES UNLESS OTHERWISE SPECIFIED:  
 DEC. INCH mm ANGLE  
 .X ±0.1 [±2.5] ±7° 30"  
 .XX ±0.03 [±0.76]  
 .XXX ±0.005 [±0.127]  
 .XXXX ±0.0005 [±0.0127]  
 REMOVE BURRS & BREAK SHARP  
 EDGES: .003/.015 [0.076/.381]  
 CORNER FILLETS: .02 [0.51]  
 MACHINED SURFACES: 200 INCH 5.1 mm  
 mm SHOWN IN [BRACKETS]

DRAWN BY  
D.FROEHLICH  
 DATE  
7-2-14  
 APPROVED BY  
TB  
 DATE  
7-7-14  
 REFERENCE  
 THIRD ANGLE PROJECTION

**REGAL**™ Regal Beloit America, Inc.  
**OUTLINE**  
 250T FR. - BB - TS - STD.  
 MATERIAL PROCESS/FINISH  
 SIZE B DRAWING NUMBER SS203015 SHEET 1 OF 1



| NO.  | REVISION                                       | BY & DATE      | CHK | ANG   | TOLERANCES UNLESS SPECIFIED |        | FINISH  | DRAWN RM 11/20/1990 |        |                    |           |        |
|--|--|----------------|-----|-------|-----------------------------|--------|---|---------------------|--------|--------------------|-----------|--------|
|  |  |                |     |       | DEC.                        | INCHES |   |                     |        |                    |           |        |
| 5  | CHG TO REGAL LOGO                              | SL 09/10/2015  | AB  |       |                             |        |   | CHK ML 11/21/1990   |        |                    |           |        |
| 4  | REVISED IEC NOTATIONS                          | MSG 11/15/2011 | CMN | .X    | ±.1                         |        |   | APPD SAS 04/24/2003 |        |                    |           |        |
| 3  | ADDED IEC NOTATIONS... (U1), (V1) ETC. MU95194 | MSG 5/10/2010  | MJS | .XX   | ±.02                        |        |   | SCALE 1=1           |        |                    |           |        |
| 2  | ADDED THE OPTIONAL CORD CONNECTION MU46318     | RDH 04/24/2003 | DRS | .XXX  | ±.005                       |        | TITLE CONNECTION DIAGRAM<br>3Ø - DUAL VOLTAGE MOTOR | REF                 |        |                    |           |        |
| 1  | REDRAWN  | RM 11/20/1990  |     | .XXXX | ±.0005                      |        | MAT'L.  | FMF                 |        |                    |           |        |
|  |  |                |     |       | ±7'30"                      |        |   | PREV                |        |                    |           |        |
| THIS DRAWING IN DESIGN AND DETAIL IS OUR PROPERTY AND MUST NOT BE USED EXCEPT IN CONNECTION WITH OUR WORK ALL RIGHTS OF DESIGN AND INVENTION ARE RESERVED THIS IS AN ELECTRONICALLY GENERATED DOCUMENT - DO NOT SCALE THIS PRINT |  |                |     |       |                             |        | RFP   | CAD FILE ee7308     | SIZE A | DRAWING NO. EE7308 | PAGE OF 5 | REV. 5 |
|  |  |                |     |       |                             |        | DIST WP   |                     |        |                    |           |        |