

PRODUCT INFORMATION PACKET

marathon[®]
Motors

Model No: 256TTFL5055

Catalog No: M421

Other Purpose Motor, 20 & 15 HP, 3 Ph, 60 & 50 Hz, 230/460 & 190/380 V, 1800 & 1500 RPM,
256JM Frame, TEFC

Regal and Marathon are trademarks of Regal Rexnord Corporation or one of its affiliated companies.

©2023 Regal Rexnord Corporation, All Rights Reserved. MC017097E

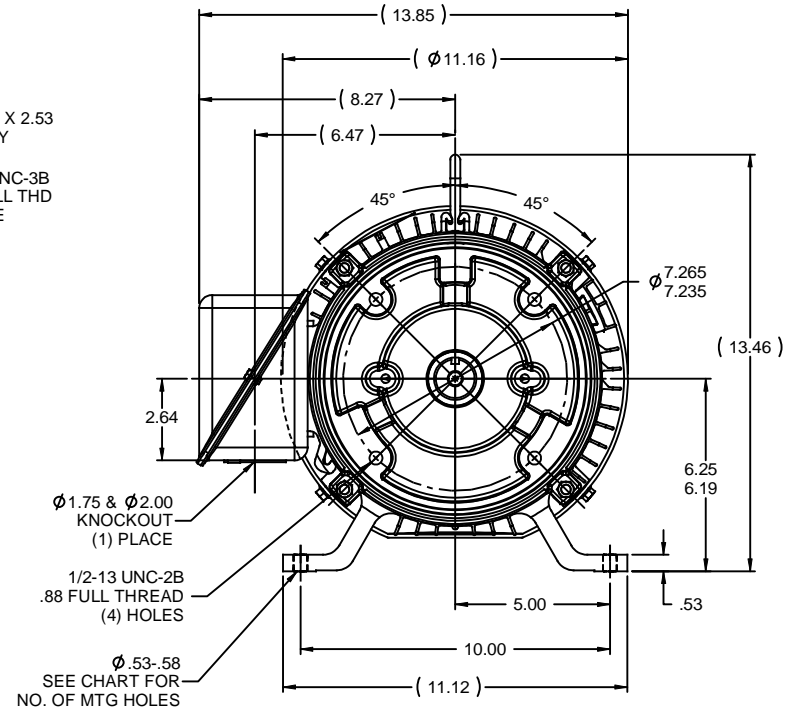
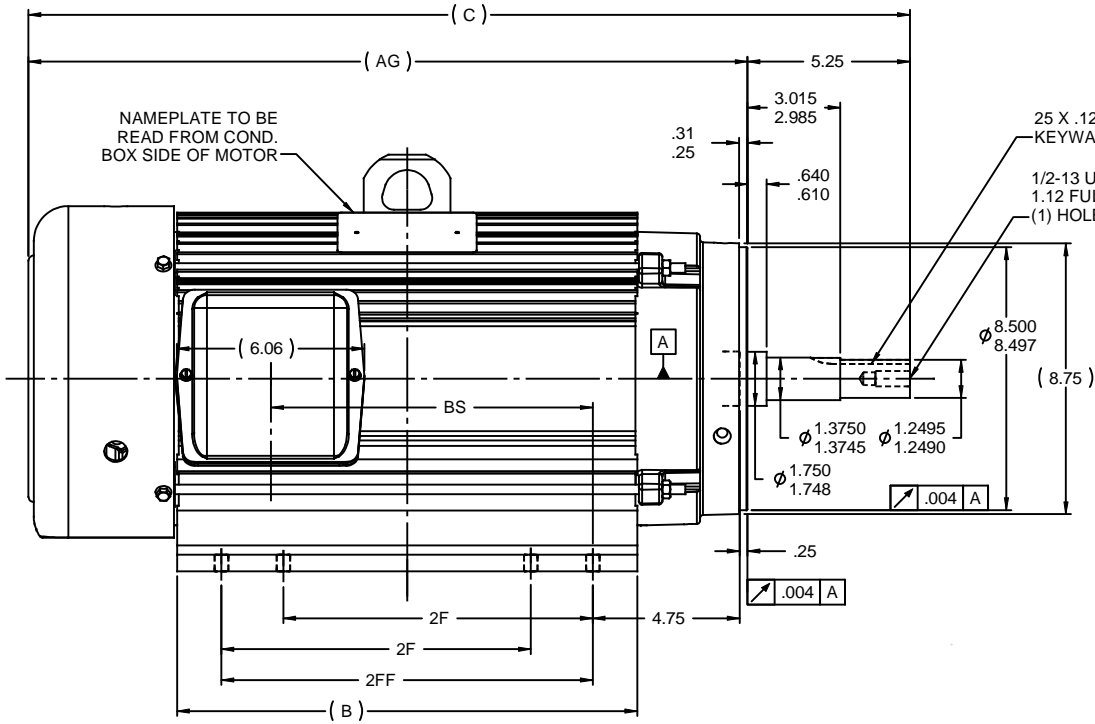
The logo for Regal Rexnord, featuring a stylized 'R' icon followed by the text 'RegalRexnord'.

Nameplate Specifications

Phase	3	Output HP	20 & 15 Hp
Output KW	14.9 & 11.2 kW	Voltage	230/460 & 190/380 V
Speed	1755 & 1465 rpm	Service Factor	1.15 & 1.15
Frame	256JM	Enclosure	Totally Enclosed Fan Cooled
Thermal Protection	No Protection	Efficiency	88.5 & 88.5 %
Ambient Temperature	40 °C	Frequency	60 & 50 Hz
Current	52/26 & 48/24 A	Power Factor	81
Duty	Continuous	Insulation Class	F
Design Code	B	KVA Code	G
Drive End Bearing Size	6309	Opp Drive End Bearing Size	6207
UL	Recognized	CSA	Y
CE	Y	IP Code	43
Number of Speeds	1		

Technical Specifications

Electrical Type	Squirrel Cage Induction Run	Starting Method	Across The Line
Poles	4	Rotation	Reversible
Resistance Main	.484 Ohms	Mounting	Rigid Base
Motor Orientation	Horizontal	Drive End Bearing	Ball
Opp Drive End Bearing	Ball	Frame Material	Aluminum
Shaft Type	JM	Overall Length	26.49 in
Frame Length	12.75 in	Shaft Diameter	1.250 in
Shaft Extension	5.28 in	Assembly/Box Mounting	F1/F2 Capable
Outline Drawing	B-SS330112-1275A	Connection Drawing	A-EE7308K



- NOTES:
 1) BOX CAN BE ROTATED IN 180° STEPS
 2) SEE CHART FOR F2 CAPABILITY. IF YES; BOX CAN BE MOUNTED ON OPPOSITE SIDE BY REMOVING BRACKETS AND TURNING FRAME 180°
 3) NAMEPLATE TO BE READ FROM CONDUIT BOX SIDE OF MOTOR

DASH	FR.	C	B	2F	2FF	AG	BS	F1/F2	NO. OF MTG HOLES
1100	254	24.74	11.12	8.25	---	19.49	6.65	YES	4
1150	254	25.24	11.67	8.25	---	19.99	7.15	NO	4
1275	254/6	26.49	12.87	8.25	10.00	21.24	8.40	YES	8
1275A	256	26.49	12.87	10.00	---	21.24	8.40	YES	4
1325A	254	26.99	13.37	8.25	10.50	21.74	8.90	YES	8
1325A	256	26.99	13.37	10.00	---	21.74	8.90	NO	4
1475	256	28.49	14.87	10.00	---	23.24	10.40	YES	8

		TOLERANCES UNLESS SPECIFIED		MARATHON ELECTRIC		DRAWN DRS 02-27-2006	
		DEC	INCHES	CHK	ML	ML 02-27-2006	
3	CLARIFIED DASH 1275 & 1325 MTG HOLES CN09-3560	TJW	9/18/2009	CTO	x	±.1	APPR BW 02-27-2006
2	REVISE THE DASH 1275 & 1325 ON CHART	RWR	12-26-2007	ML	xx	±.03	SCALE 1:4
1	RE-ISSUE - ADD 4/8 MTG. HOLES TO CHART AND RE-POSITION VIEWS SO TEXT CAN BE READ EASILY	RWR	07-11-2007	ML	xxx	±.005	REF SS84286
					xxxx	±.0005	FMF
NO	REVISION	BY & DATE	CHK	ANG	±7'30"	FINISH	PREV
THIS DRAWING IN DESIGN AND DETAIL IS OUR PROPERTY AND MUST NOT BE USED EXCEPT IN CONNECTION WITH OUR WORK. ALL RIGHTS OF DESIGN AND INVENTION ARE RESERVED. THIS IS AN ELECTRONICALLY GENERATED DOCUMENT - DO NOT SCALE THIS PRINT		RFP	02-27-2006	CAD FILE	SS330112	SIZE	DRAWING NO
		DIST	LB			B	SS330112
						REV 3	

LOW VOLTAGE



HIGH VOLTAGE



VIEW OF TERMINAL END

				TOLERANCES UNLESS SPECIFIED		 REGAL - BELOIT CORPORATION	DRAWN PGK 06-04-1997			
NO.	REVISION	BY & DATE	CHK	ANG	±		UNIT	CHK	ML 06-05-1997	
E	CORRECTED IEC MARKINGS ECD-0111208	WGJ 01-23-2017	EMH	DEC.		INCHES				
D	RE-DRAWN WITH REGAL LOGO ECD-0110493	WGJ 09-30-2016	EMH	.X	±.1			APPD GK 06-15-1997		
8	ADDED IEC DESIGNATIONS MU95020	TJW 4/30/2010	MJS	.XX	±.02		TITLE	SCALE		
7	REVISED HIGH VOLTAGE L2 WAS L3 CN52600-354	MRB 09-21-1998		.XXX	±.005		CONNECTION DIAGRAM	REF		
6	REDRAWN ON CADD	PGK 06-05-1997		.XXXX	±.0005		DELTA CON. - 3Ø - 9 LEADS	FMF		
					±7'30"		MAT'L.	PREV		
							FINISH			
THIS DRAWING IN DESIGN AND DETAIL IS OUR PROPERTY AND MUST NOT BE USED EXCEPT IN CONNECTION WITH OUR WORK ALL RIGHTS OF DESIGN AND INVENTION ARE RESERVED THIS IS AN ELECTRONICALLY GENERATED DOCUMENT - DO NOT SCALE THIS PRINT						RFP	CAD FILE EE7308K	SIZE	DRAWING NO. PAGE OF	REV.
						DIST		A	EE7308K	E