

PRODUCT INFORMATION PACKET

marathon[®]
Motors

Model No: 256TTFL4036

Catalog No: U353

20 HP Close-Coupled Pump Motor, 3 phase, 1800 RPM, 200 V, 256JM Frame, TEFC
Close-Coupled Pump Motors

Regal and Marathon are trademarks of Regal Rexnord Corporation or one of its affiliated companies.
©2021 Regal Rexnord Corporation, All Rights Reserved. MC017097E

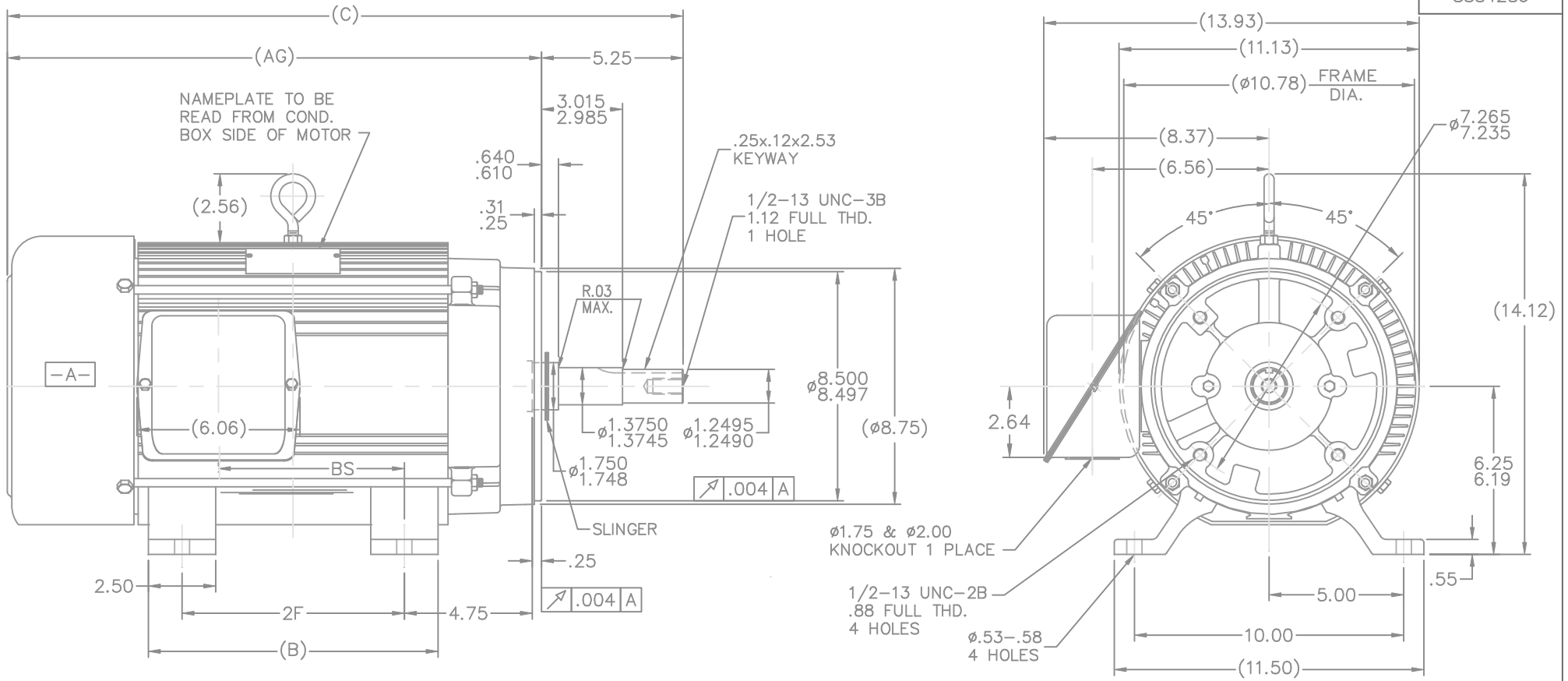
The logo for Regal Rexnord, featuring a stylized 'R' icon followed by the text 'RegalRexnord'.

Nameplate Specifications

Output HP	20 Hp	Output KW	14.9 kW
Frequency	60 Hz	Voltage	200 V
Current	58.5 A	Speed	1750 rpm
Service Factor	1.15	Phase	3
Efficiency	91 %	Power Factor	81
Duty	Continuous	Insulation Class	F
Design Code	B	KVA Code	G
Frame	256JM	Enclosure	Totally Enclosed Fan Cooled
Thermal Protection	No	Ambient Temperature	40 °C
Drive End Bearing Size	6309	Opp Drive End Bearing Size	6207
UL	Recognized	CSA	Y
CE	Y	IP Code	43
Number of Speeds	1		

Technical Specifications

Electrical Type	Squirrel Cage Induction Run	Starting Method	Across The Line
Poles	4	Rotation	Reversible
Resistance Main	.45 Ohms	Mounting	Rigid Base
Motor Orientation	Horizontal	Drive End Bearing	Ball
Opp Drive End Bearing	Ball	Frame Material	Aluminum
Shaft Type	JM	Overall Length	28.49 in
Shaft Diameter	1.625 in	Shaft Extension	5.28 in
Assembly/Box Mounting	F1 ONLY		
Outline Drawing	B-SS84286-1475	Connection Drawing	A-EE7300



NOTES:
 BOX CAN BE ROTATED IN 180° STEPS.
 BOX CAN BE MOUNTED ON OPPOSITE SIDE
 BY REMOVING BRACKETS & TURNING FRAME 180°.

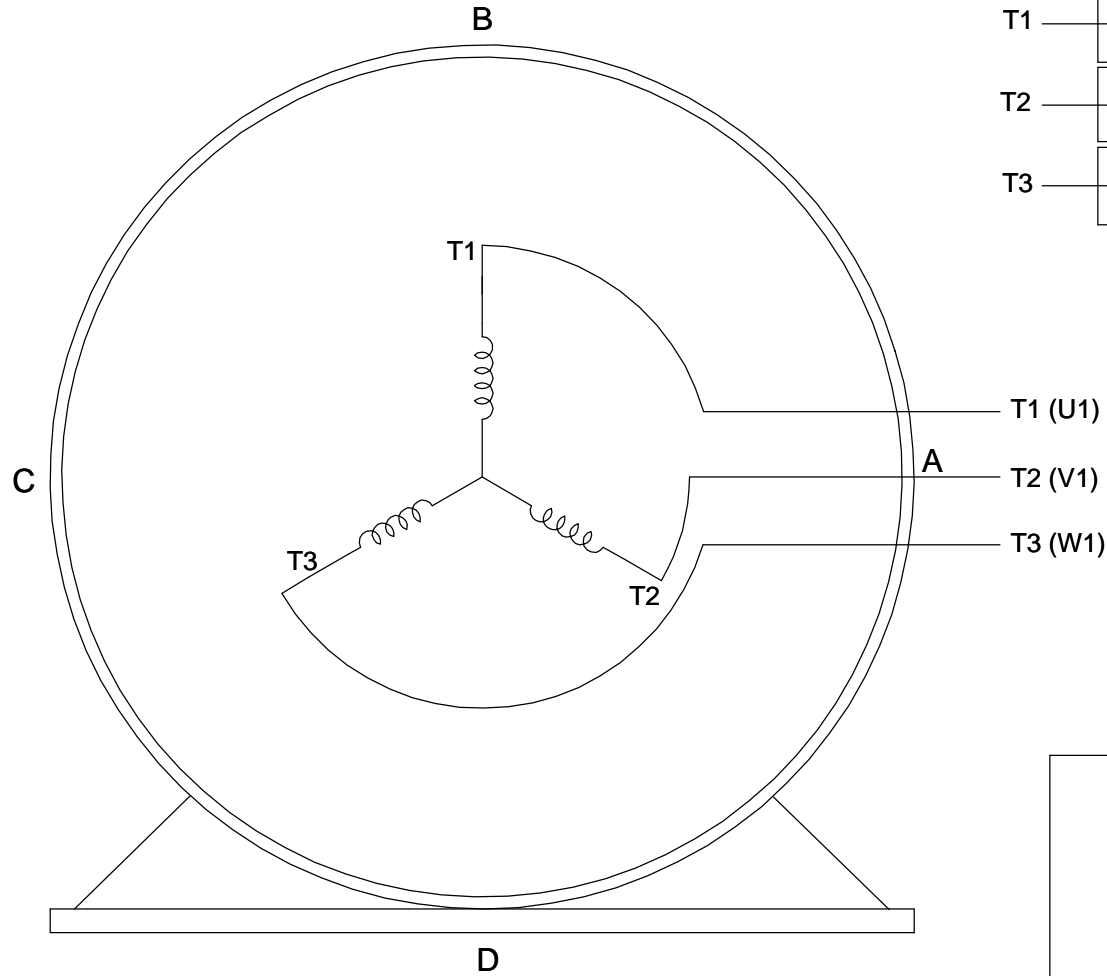
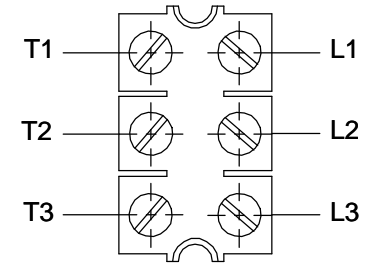
DASH	FR.	C	B	2F	AG	BS	
						F1	F2
1150	254	25.24	10.75	8.25	19.99	7.15	1.75
1100	254	24.74	10.75	8.25	19.49	6.65	1.75
1275	254	26.49	10.75	8.25	21.24	8.40	1.75
1275	256	26.49	12.50	10.00	21.24	8.40	1.75
1325	254	26.99	10.75	8.25	21.74	6.90	N/A
1325	256	26.99	12.50	10.00	21.74	8.65	1.35
1475	256	28.49	12.50	10.00	23.24	10.15	N/A

NO.	REVISION	BY & DATE	CHK	ANG	TOLERANCES UNLESS SPECIFIED		MARATHON ELECTRIC	DRAWN DD 06-10-1993	
					DEC.	INCHES			
7	UPDATED DRAWING	TJW 04/27/2007			ML	.X	±.1	CHK ML 06-14-1993	
6	REDRAWN IN AUTOCAD	TAT 07-06-2004						APPD GK 06-14-1993	
5	UPDATED CONDUIT BOX PER CN 28427	TJB 01-25-2000			.XX	±.03	TITLE OUTLINE - C' FACE	SCALE 9=32	
4	ADDED DASH 1275, 1325, & 1475 / WAS 'A' SIZE	DRS 06-22-1999			.XXX	±.005	210 FR. - 254-56 MTG. ALUM. FR. - TEFC	REF	
3	CONDUIT HOLE WAS Ø1.75 LEAD HOLE CN 25600-136	MRB 04-09-1998			.XXX	±.0005	MAT'L	FMF	
							FINISH	PREV	
THIS DRAWING IN DESIGN AND DETAIL IS OUR PROPERTY AND MUST NOT BE USED EXCEPT IN CONNECTION WITH OUR WORK ALL RIGHTS OF DESIGN AND INVENTION ARE RESERVED THIS IS AN ELECTRONICALLY GENERATED DOCUMENT - DO NOT SCALE THIS PRINT							RFP	CAD FILE ss84286	SIZE B
							DIST LB	DRAWING NO. SS84286	PAGE OF 7

**THREE PHASE - SINGLE VOLTAGE
MOTOR - CONDUIT BOX @ 'A'**

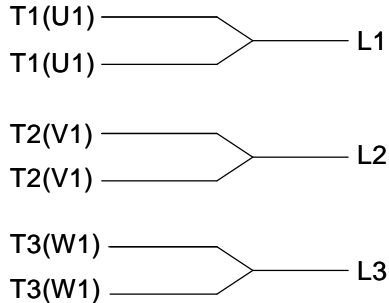
**TO REVERSE ROTATION:
INTERCHANGE ANY TWO
LINE LEAD CONNECTIONS.**

TERMINAL BLOCK WHEN SPECIFIED



VIEW OF TERMINAL END

**IF MOTOR HAS
6 LEADS**



A-9806 DECAL

**OPTIONAL CORD
CONNECTION**



DRAWING REVISION AB	REVISION BY JJB	DATE 06-27-2017
ECO ECO-0125361	APPROVED BY TB	DATE 06-27-2017
ECO DESCRIPTION UPDATED TO CURRENT STANDARDS		
<small>COPYRIGHT REGAL BELOIT AMERICA, INC. ALL RIGHTS RESERVED. PROPRIETARY AND CONFIDENTIAL INFORMATION - THIS DOCUMENT IS THE PROPERTY OF REGAL BELOIT AMERICA, INC. ("OWNER") AND CONTAINS OWNER'S PROPRIETARY INFORMATION. ANY PERSON, CORPORATION OR OTHER FIRM RECEIVING IT IS DEEMED, BY RECEIVING IT, TO AGREE THAT IT, AND/OR ANY PART OF IT, SHALL NOT BE DISCLOSED TO ANY PERSON, CORPORATION OR OTHER ENTITY, DUPLICATED, AND/OR USED, EXCEPT AS EXPRESSLY APPROVED IN WRITING IN ADVANCE BY OWNER. THIS DOCUMENT SHALL BE RETURNED TO OWNER UPON REQUEST. IT MAY BE SUBJECT TO CERTAIN RESTRICTIONS UNDER APPLICABLE EXPORT CONTROL LAWS AND REGULATIONS.</small>		



DRAWN BY DA
DATE 03-26-1993
APPROVED BY TB
DATE 03-26-1993
REFERENCE
THIRD ANGLE PROJECTION

Regal Beloit America, Inc.	
DESCRIPTION CONNECTION DIAGRAM EXTERNAL - SINGLE VOLTAGE - 3Ø MOTOR	
MATERIAL	PROCESS/FINISH
SIZE A	DRAWING NUMBER EE7300
SHEET 1 OF 1	