

# PRODUCT INFORMATION PACKET

**marathon**<sup>®</sup>  
Motors

Model No: 256TTFL4010

Catalog No: U350

20 HP Close-Coupled Pump Motor, 3 phase, 3600 RPM, 200 V, 256JM Frame, TEFC  
Close-Coupled Pump Motors

Regal and Marathon are trademarks of Regal Rexnord Corporation or one of its affiliated companies.  
©2021 Regal Rexnord Corporation, All Rights Reserved. MC017097E

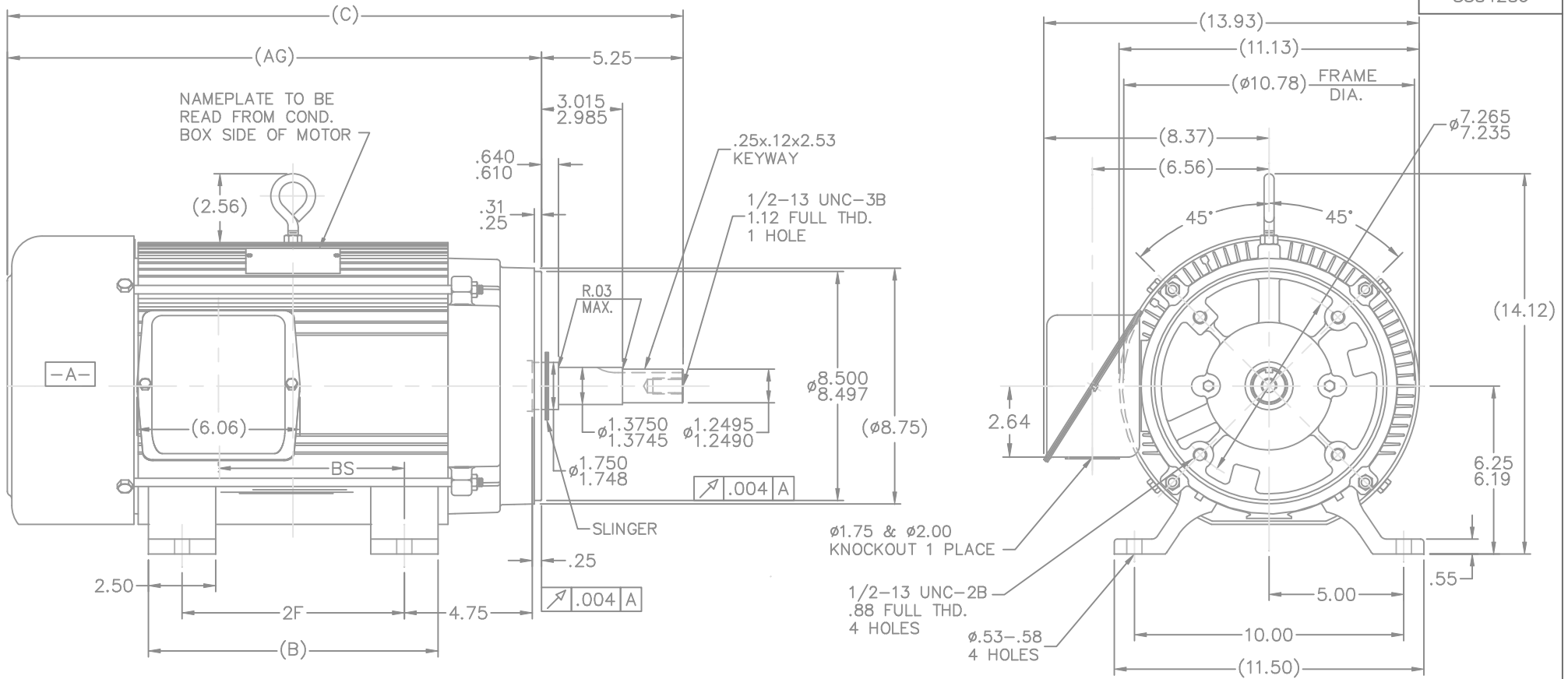
**RegalRexnord**

### Nameplate Specifications

Output HP	<b>20 Hp</b>	Output KW	<b>14.9 kW</b>
Frequency	<b>60 Hz</b>	Voltage	<b>200 V</b>
Current	<b>54.0 A</b>	Speed	<b>3510 rpm</b>
Service Factor	<b>1.15</b>	Phase	<b>3</b>
Efficiency	<b>90.2 %</b>	Power Factor	<b>87.5</b>
Duty	<b>Continuous</b>	Insulation Class	<b>F</b>
Design Code	<b>B</b>	KVA Code	<b>G</b>
Frame	<b>256JM</b>	Enclosure	<b>Totally Enclosed Fan Cooled</b>
Thermal Protection	<b>No</b>	Ambient Temperature	<b>40 °C</b>
Drive End Bearing Size	<b>6309</b>	Opp Drive End Bearing Size	<b>6207</b>
UL	<b>Recognized</b>	CSA	<b>Y</b>
CE	<b>Y</b>	IP Code	<b>43</b>
Number of Speeds	<b>1</b>		

### Technical Specifications

Electrical Type	<b>Squirrel Cage Induction Run</b>	Starting Method	<b>Across The Line</b>
Poles	<b>2</b>	Rotation	<b>Reversible</b>
Resistance Main	<b>.49 Ohms</b>	Mounting	<b>Rigid Base</b>
Motor Orientation	<b>Horizontal</b>	Drive End Bearing	<b>Ball</b>
Opp Drive End Bearing	<b>Ball</b>	Frame Material	<b>Aluminum</b>
Shaft Type	<b>JM</b>	Overall Length	<b>26.49 in</b>
Shaft Diameter	<b>1.625 in</b>	Shaft Extension	<b>5.28 in</b>
Assembly/Box Mounting	<b>F1/F2 Capable</b>		
Connection Drawing	<b>A-EE7300</b>	Outline Drawing	<b>B-SS84286-1275</b>



NOTES:  
 BOX CAN BE ROTATED IN 180° STEPS.  
 BOX CAN BE MOUNTED ON OPPOSITE SIDE  
 BY REMOVING BRACKETS & TURNING FRAME 180°.

DASH	FR.	C	B	2F	AG	BS	
						F1	F2
1150	254	25.24	10.75	8.25	19.99	7.15	1.75
1100	254	24.74	10.75	8.25	19.49	6.65	1.75
1275	254	26.49	10.75	8.25	21.24	8.40	1.75
1275	256	26.49	12.50	10.00	21.24	8.40	1.75
1325	254	26.99	10.75	8.25	21.74	6.90	N/A
1325	256	26.99	12.50	10.00	21.74	8.65	1.35
1475	256	28.49	12.50	10.00	23.24	10.15	N/A

NO.	REVISION	BY & DATE	CHK	ANG	TOLERANCES UNLESS SPECIFIED		MARATHON ELECTRIC	DRAWN DD 06-10-1993				
					DEC.	INCHES						
7	UPDATED DRAWING	TJW 04/27/2007			ML	.X		CHK ML 06-14-1993				
6	REDRAWN IN AUTOCAD	TAT 07-06-2004						APPD GK 06-14-1993				
5	UPDATED CONDUIT BOX PER CN 28427	TJB 01-25-2000			.XX	±.03	TITLE OUTLINE - C' FACE	SCALE 9=32				
4	ADDED DASH 1275, 1325, & 1475 / WAS 'A' SIZE	DRS 06-22-1999			.XXX	±.005	210 FR. - 254-56 MTG. ALUM. FR. - TEFC	REF				
3	CONDUIT HOLE WAS Ø1.75 LEAD HOLE CN 25600-136	MRB 04-09-1998			.XXX	±.0005	MAT'L	FMF				
							FINISH	PREV				
THIS DRAWING IN DESIGN AND DETAIL IS OUR PROPERTY AND MUST NOT BE USED EXCEPT IN CONNECTION WITH OUR WORK ALL RIGHTS OF DESIGN AND INVENTION ARE RESERVED THIS IS AN ELECTRONICALLY GENERATED DOCUMENT - DO NOT SCALE THIS PRINT							RFP	CAD FILE ss84286	SIZE B	DRAWING NO. SS84286	PAGE OF 7	REV. 7
							DIST LB					

**THREE PHASE - SINGLE VOLTAGE  
MOTOR - CONDUIT BOX @ 'A'**

**TO REVERSE ROTATION:  
INTERCHANGE ANY TWO  
LINE LEAD CONNECTIONS.**

**TERMINAL BLOCK WHEN SPECIFIED**



**VIEW OF TERMINAL END**

**IF MOTOR HAS  
6 LEADS**



**A-9806 DECAL**

**OPTIONAL CORD  
CONNECTION**



DRAWING REVISION <b>AB</b>	REVISION BY <b>JJB</b>	DATE <b>06-27-2017</b>
ECO <b>ECO-0125361</b>	APPROVED BY <b>TB</b>	DATE <b>06-27-2017</b>
ECO DESCRIPTION <b>UPDATED TO CURRENT STANDARDS</b>		
<small>COPYRIGHT REGAL BELOIT AMERICA, INC. ALL RIGHTS RESERVED.                  PROPRIETARY AND CONFIDENTIAL INFORMATION - THIS DOCUMENT IS THE PROPERTY OF                  REGAL BELOIT AMERICA, INC. ("OWNER") AND CONTAINS OWNER'S PROPRIETARY                  INFORMATION. ANY PERSON, CORPORATION OR OTHER FIRM RECEIVING IT IS DEEMED,                  BY RECEIVING IT, TO AGREE THAT IT, AND/OR ANY PART OF IT, SHALL NOT BE DISCLOSED                  TO ANY PERSON, CORPORATION OR OTHER ENTITY, DUPLICATED, AND/OR USED, EXCEPT                  AS EXPRESSLY APPROVED IN WRITING IN ADVANCE BY OWNER. THIS DOCUMENT SHALL                  BE RETURNED TO OWNER UPON REQUEST. IT MAY BE SUBJECT TO CERTAIN                  RESTRICTIONS UNDER APPLICABLE EXPORT CONTROL LAWS AND REGULATIONS.</small>		



DRAWN BY <b>DA</b>
DATE <b>03-26-1993</b>
APPROVED BY <b>TB</b>
DATE <b>03-26-1993</b>
REFERENCE
THIRD ANGLE PROJECTION

<b>Regal Beloit America, Inc.</b>	
DESCRIPTION <b>CONNECTION DIAGRAM</b> EXTERNAL - SINGLE VOLTAGE - 3Ø MOTOR	
MATERIAL	PROCESS/FINISH
SIZE <b>A</b>	DRAWING NUMBER <b>EE7300</b>
SHEET <b>1 OF 1</b>	