

PRODUCT INFORMATION PACKET

marathon[®]
Motors

Model No: 256TTFL14027

Catalog No: U651

20 HP General Purpose Motor, 3 phase, 1800 RPM, 200 V, 256T Frame, TEFC
General Purpose Motors

Regal and Marathon are trademarks of Regal Rexnord Corporation or one of its affiliated companies.
©2021 Regal Rexnord Corporation, All Rights Reserved. MC017097E

RegalRexnord



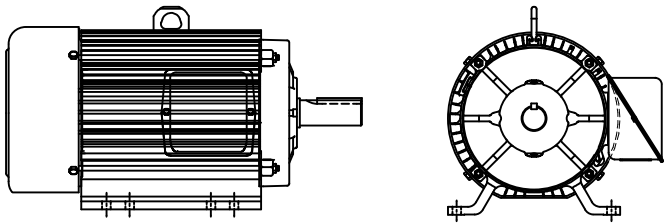
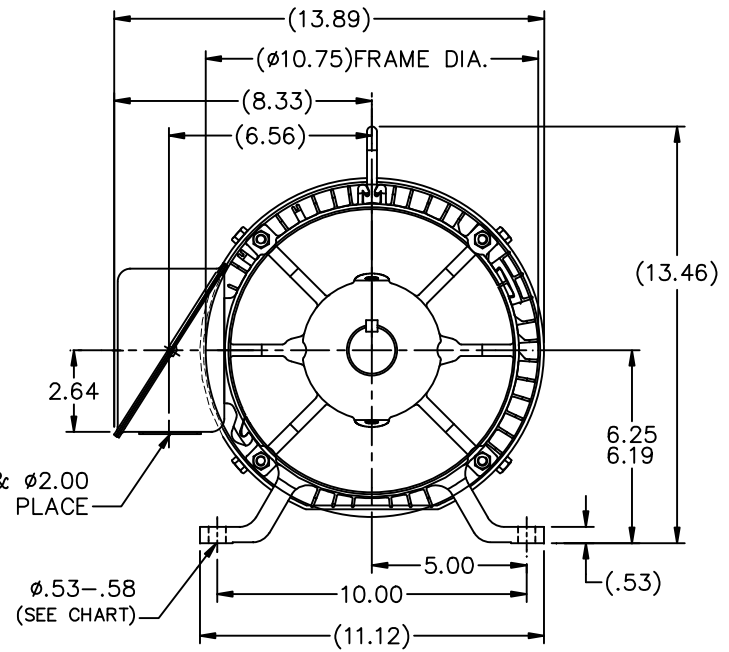
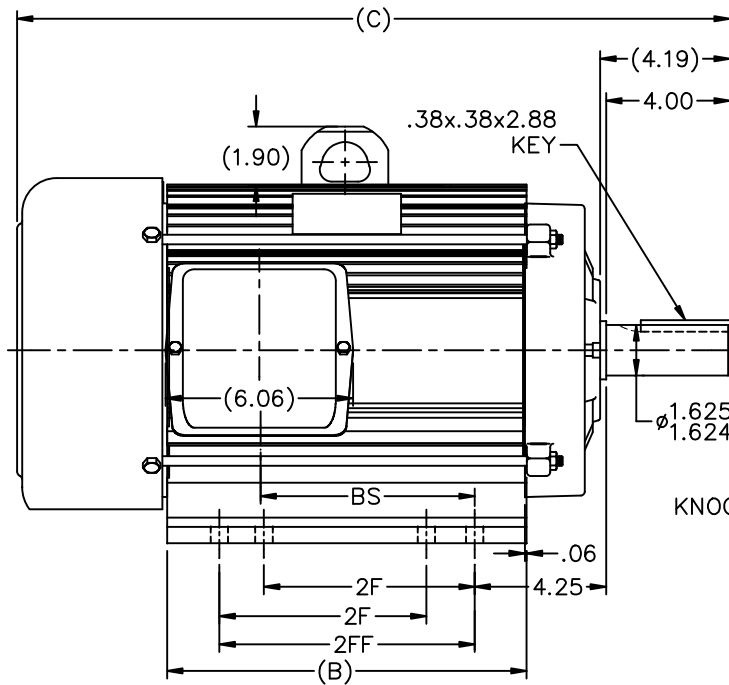
Nameplate Specifications

Output HP	20 Hp	Output KW	14.9 kW
Frequency	60 Hz	Voltage	200 V
Current	58.5 A	Speed	1750 rpm
Service Factor	1.15	Phase	3
Efficiency	91 %	Power Factor	81
Duty	Continuous	Insulation Class	F
Design Code	B	KVA Code	G
Frame	256T	Enclosure	Totally Enclosed Fan Cooled
Thermal Protection	No	Ambient Temperature	40 °C
Drive End Bearing Size	6309	Opp Drive End Bearing Size	6207
UL	Recognized	CSA	Y
CE	Y	IP Code	43
Number of Speeds	1		

Technical Specifications

Electrical Type	Squirrel Cage Inverter Rated	Starting Method	Line Or Inverter
Poles	4	Rotation	Reversible
Resistance Main	.45 Ohms	Mounting	Rigid Base
Motor Orientation	Horizontal	Drive End Bearing	Ball
Opp Drive End Bearing	Ball	Frame Material	Aluminum
Shaft Type	T	Overall Length	26.24 in
Frame Length	14.25 in	Shaft Diameter	1.625 in
Shaft Extension	4 in	Assembly/Box Mounting	F1/F2 Capable
Outline Drawing	B-SS330109-1425	Connection Drawing	A-EE7300

This is an uncontrolled document once printed or downloaded and is subject to change without notice. Date Created:10/12/2021



F2 CONDUIT BOX LOCATION

NOTES:

1. CONDUIT BOX CAN BE ROTATED IN 180° STEPS.
2. NAMEPLATE TO BE READ FROM CONDUIT BOX SIDE OF MOTOR
3. SEE CHART FOR F2 CAPABILITY. IF YES, BOX CAN BE MOUNTED ON OPPOSITE SIDE BY REMOVING BRACKETS AND TURNING FRAME 180°

DASH	FRAME	B	C	2F	2FF	BS	F2 CAPABLE	NO. OF MTG. HOLES
1100	254T	11.12	22.49	8.25	-	6.46	NO	4
1150	254T	11.62	22.99	8.25	-	6.96	YES	4
1275	254T	12.87	24.24	8.25	-	8.21	NO	4
1275	254T	12.87	24.24	8.25	-	8.21	YES	8
1275	256T	12.87	24.24	10.00	-	8.21	NO	4
1325	254T	13.37	24.74	8.25	10.00	8.25	YES	8
1325	256T	13.37	24.74	10.00	-	8.71	YES	4
1375	256T	13.87	25.24	10.00	-	9.21	YES	4
1475	256T	14.87	26.24	10.00	-	10.21	YES	8

8	REMOVED DIMENSION 9.50 FROM -1275 / 2FF	RJW 6/17/2008	ML	TOLERANCES UNLESS SPECIFIED		DRAWN MJK 04-13-2005				
7	UPDATED DRAWING	RJW 04-12-2007	DEC.	INCHES		CHK ML 08-18-2005				
6	REVISED DASH 1275 (2F) WAS 10.00 ECN8752 CN40215	RJW 06-21-2006	ML	.X ±.1	APPD CGD 08-18-2005	SCALE 1=4				
5	ADDED "2FF" COLUMN CN 40215	JJB 06/01/2006	ML	.XX ±.03	TITLE OUTLINE	REF				
4	-1475; '2F' DIMENSION WAS 12.00 CN 46434	DRS 05-08-2006	ML	.XXX ±.005	210 FR.-254/56 MTG. ALUMINUM FR.-TEFC	FMF				
3	REVISED DASH 1475 / 2F WAS 11.50 CN46368	RJW 02-14-2006	ML	.XXXX ±.0005	MAT'L	PREV				
NO.	REVISION	BY & DATE	CHK	ANG ±7'30"	FINISH					
THIS DRAWING IN DESIGN AND DETAIL IS OUR PROPERTY AND MUST NOT BE USED EXCEPT IN CONNECTION WITH OUR WORK ALL RIGHTS OF DESIGN AND INVENTION ARE RESERVED THIS IS AN ELECTRONICALLY GENERATED DOCUMENT - DO NOT SCALE THIS PRINT					RFP	CAD FILE ss330109	SIZE B	DRAWING NO. SS330109	PAGE OF 8	REV.
					DIST LB					

**THREE PHASE - SINGLE VOLTAGE
MOTOR - CONDUIT BOX @ 'A'**

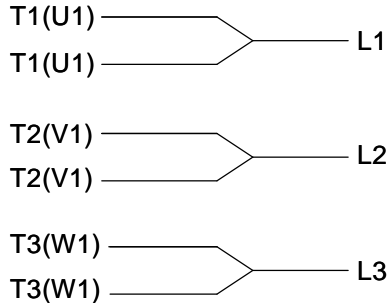
**TO REVERSE ROTATION:
INTERCHANGE ANY TWO
LINE LEAD CONNECTIONS.**

TERMINAL BLOCK WHEN SPECIFIED



VIEW OF TERMINAL END

**IF MOTOR HAS
6 LEADS**



A-9806 DECAL

**OPTIONAL CORD
CONNECTION**



DRAWING REVISION AB	REVISION BY JJB	DATE 06-27-2017
ECO ECO-0125361	APPROVED BY TB	DATE 06-27-2017
ECO DESCRIPTION UPDATED TO CURRENT STANDARDS		
<small>COPYRIGHT REGAL BELOIT AMERICA, INC. ALL RIGHTS RESERVED. PROPRIETARY AND CONFIDENTIAL INFORMATION - THIS DOCUMENT IS THE PROPERTY OF REGAL BELOIT AMERICA, INC. ("OWNER") AND CONTAINS OWNER'S PROPRIETARY INFORMATION. ANY PERSON, CORPORATION OR OTHER FIRM RECEIVING IT IS DEEMED, BY RECEIVING IT, TO AGREE THAT IT, AND/OR ANY PART OF IT, SHALL NOT BE DISCLOSED TO ANY PERSON, CORPORATION OR OTHER ENTITY, DUPLICATED, AND/OR USED, EXCEPT AS EXPRESSLY APPROVED IN WRITING IN ADVANCE BY OWNER. THIS DOCUMENT SHALL BE RETURNED TO OWNER UPON REQUEST. IT MAY BE SUBJECT TO CERTAIN RESTRICTIONS UNDER APPLICABLE EXPORT CONTROL LAWS AND REGULATIONS.</small>		



DRAWN BY DA
DATE 03-26-1993
APPROVED BY TB
DATE 03-26-1993
REFERENCE
THIRD ANGLE PROJECTION

Regal Beloit America, Inc.	
DESCRIPTION CONNECTION DIAGRAM EXTERNAL - SINGLE VOLTAGE - 3Ø MOTOR	
MATERIAL	PROCESS/FINISH
SIZE A	DRAWING NUMBER EE7300
SHEET 1 OF 1	