

PRODUCT INFORMATION PACKET

marathon®
Motors

Model No: 256TTFL14001

Catalog No: E974

Other Purpose Motor, 20 & 15 HP, 3 Ph, 60 & 50 Hz, 230/460 & 190/380 V, 3600 & 3000 RPM,
256T Frame, TEFC

Regal and Marathon are trademarks of Regal Rexnord Corporation or one of its affiliated companies.

©2023 Regal Rexnord Corporation, All Rights Reserved. MC017097E

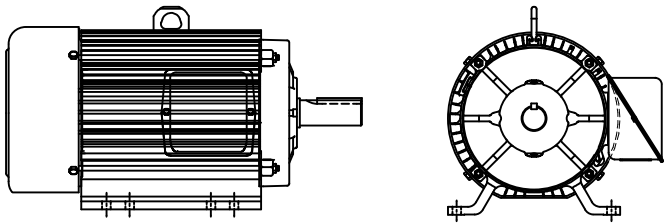
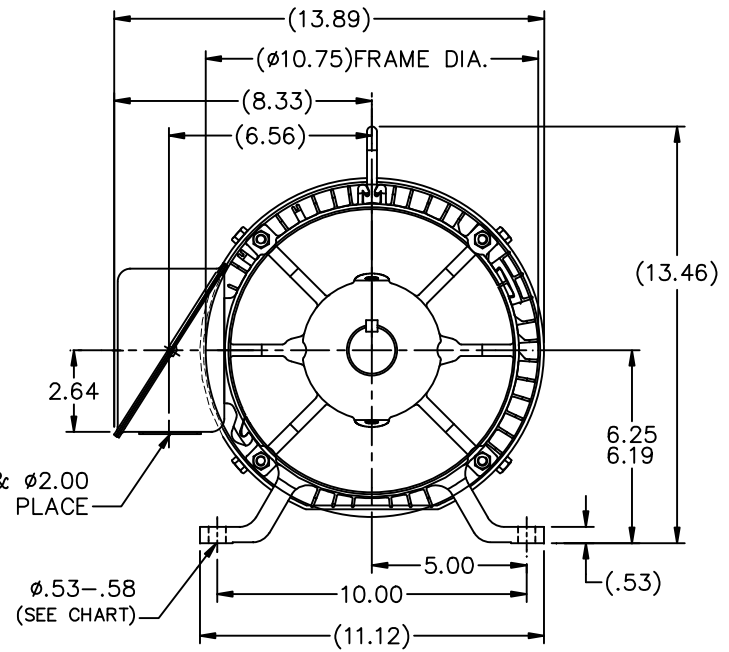
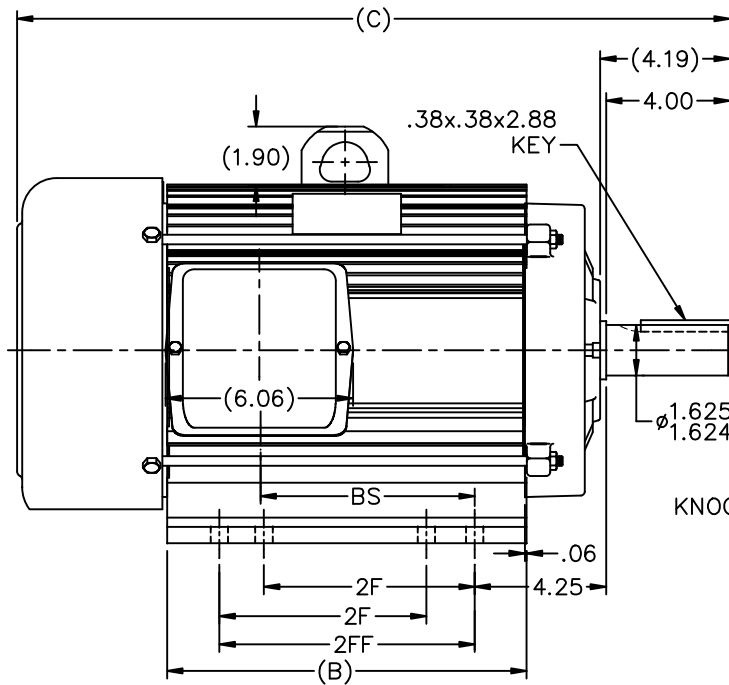
The logo for Regal Rexnord, featuring a stylized 'R' icon followed by the text 'RegalRexnord'.

Nameplate Specifications

Phase	3	Output HP	20 & 15 Hp
Output KW	14.9 & 11.2 kW	Voltage	230/460 & 190/380 V
Speed	3510 & 2915 rpm	Service Factor	1.15 & 1.15
Frame	256T	Enclosure	Totally Enclosed Fan Cooled
Thermal Protection	No Protection	Efficiency	90.2 & 90.2 %
Ambient Temperature	40 °C	Frequency	60 & 50 Hz
Current	47/23.5 & 43/21.5 A	Power Factor	87.5
Duty	Continuous	Insulation Class	F
Design Code	B	KVA Code	G
Drive End Bearing Size	6309	Opp Drive End Bearing Size	6207
UL	Recognized	CSA	Y
CE	Y	IP Code	43
Number of Speeds	1		

Technical Specifications

Electrical Type	Squirrel Cage Induction Run	Starting Method	Across The Line
Poles	2	Rotation	Reversible
Resistance Main	.49 Ohms	Mounting	Rigid Base
Motor Orientation	Horizontal	Drive End Bearing	Ball
Opp Drive End Bearing	Ball	Frame Material	Aluminum
Shaft Type	T	Overall Length	24.24 in
Frame Length	12.75 in	Shaft Diameter	1.625 in
Shaft Extension	4 in	Assembly/Box Mounting	F1/F2 CAPABLE
Outline Drawing	B-SS330109-1275	Connection Drawing	A-EE7308



F2 CONDUIT BOX LOCATION

NOTES:

1. CONDUIT BOX CAN BE ROTATED IN 180° STEPS.
2. NAMEPLATE TO BE READ FROM CONDUIT BOX SIDE OF MOTOR
3. SEE CHART FOR F2 CAPABILITY. IF YES, BOX CAN BE MOUNTED ON OPPOSITE SIDE BY REMOVING BRACKETS AND TURNING FRAME 180°

DASH	FRAME	B	C	2F	2FF	BS	F2 CAPABLE	NO. OF MTG. HOLES
1100	254T	11.12	22.49	8.25	-	6.46	NO	4
1150	254T	11.62	22.99	8.25	-	6.96	YES	4
1275	254T	12.87	24.24	8.25	-	8.21	NO	4
1275	254T	12.87	24.24	8.25	-	8.21	YES	8
1275	256T	12.87	24.24	10.00	-	8.21	NO	4
1325	254T	13.37	24.74	8.25	10.00	8.25	YES	8
1325	256T	13.37	24.74	10.00	-	8.71	YES	4
1375	256T	13.87	25.24	10.00	-	9.21	YES	4
1475	256T	14.87	26.24	10.00	-	10.21	YES	8

8	REMOVED DIMENSION 9.50 FROM -1275 / 2FF	RJW 6/17/2008	ML	TOLERANCES UNLESS SPECIFIED		DRAWN MJK 04-13-2005				
7	UPDATED DRAWING	RJW 04-12-2007	DEC.	INCHES		CHK ML 08-18-2005				
6	REVISED DASH 1275 (2F) WAS 10.00 ECN8752 CN40215	RJW 06-21-2006	ML	.X ±.1	APPD CGD 08-18-2005	SCALE 1=4				
5	ADDED "2FF" COLUMN CN 40215	JJB 06/01/2006	ML	.XX ±.03	TITLE OUTLINE	REF				
4	-1475; '2F' DIMENSION WAS 12.00 CN 46434	DRS 05-08-2006	ML	.XXX ±.005	210 FR.-254/56 MTG. ALUMINUM FR.-TEFC	FMF				
3	REVISED DASH 1475 / 2F WAS 11.50 CN46368	RJW 02-14-2006	ML	.XXXX ±.0005	MAT'L	PREV				
NO.	REVISION	BY & DATE	CHK	ANG ±7'30"	FINISH					
THIS DRAWING IN DESIGN AND DETAIL IS OUR PROPERTY AND MUST NOT BE USED EXCEPT IN CONNECTION WITH OUR WORK ALL RIGHTS OF DESIGN AND INVENTION ARE RESERVED THIS IS AN ELECTRONICALLY GENERATED DOCUMENT - DO NOT SCALE THIS PRINT					RFP	CAD FILE ss330109	SIZE B	DRAWING NO. SS330109	PAGE OF 8	REV.
					DIST LB					

EE7308

THREE PHASE
DUAL VOLTAGE MOTOR



VIEW OF TERMINAL END

REF.
WINDING DIAGRAM

T8Y, T2Y, T2BL, T4BX, T2EC, T2G
T6BZ, T2B, T6BL, T4AV, T6B, T4B

OPTIONAL CORD
CONNECTION

L1 — WHITE
L2 — RED
L3 — BLACK

NO.	REVISION	BY & DATE	CHK	ANG	TOLERANCES UNLESS SPECIFIED		FINISH	DRAWN RM 11/20/1990				
					DEC.	INCHES						
5	CHG TO REGAL LOGO	SL 09/10/2015	AB					CHK ML 11/21/1990				
4	REVISED IEC NOTATIONS	MSG 11/15/2011	CMN	.X	±.1			APPD SAS 04/24/2003				
3	ADDED IEC NOTATIONS... (U1), (V1) ETC. MU95194	MSG 5/10/2010	MJS	.XX	±.02		TITLE CONNECTION DIAGRAM	SCALE 1=1				
2	ADDED THE OPTIONAL CORD CONNECTION MU46318	RDH 04/24/2003	DRS	.XXX	±.005		3Ø - DUAL VOLTAGE MOTOR	REF				
1	REDRAWN	RM 11/20/1990		.XXXX	±.0005		MAT'L.	FMF				
					±7'30"			PREV				
THIS DRAWING IN DESIGN AND DETAIL IS OUR PROPERTY AND MUST NOT BE USED EXCEPT IN CONNECTION WITH OUR WORK ALL RIGHTS OF DESIGN AND INVENTION ARE RESERVED THIS IS AN ELECTRONICALLY GENERATED DOCUMENT - DO NOT SCALE THIS PRINT							RFP	CAD FILE ee7308	SIZE A	DRAWING NO. EE7308	PAGE OF 5	REV. 5
							DIST WP					



Regal Beloit America, Inc.