

# PRODUCT INFORMATION PACKET

Model No: 256TTFC7250

Catalog No: Y384A

Multispeed Motor, 15 & 3.75 HP, 3 Ph, 60 & 60 Hz, 460 & 460 V, 1800 & 1800 RPM, 256T Frame, TEFC



Regal and Marathon are trademarks of Regal Rexnord Corporation or one of its affiliated companies.

©2023 Regal Rexnord Corporation, All Rights Reserved. MC017097E

### Nameplate Specifications

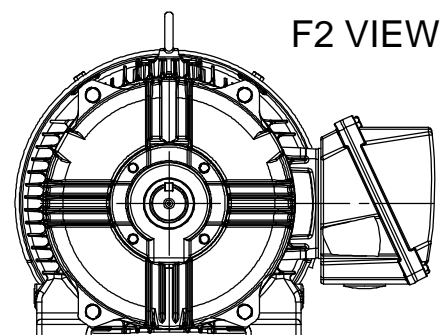
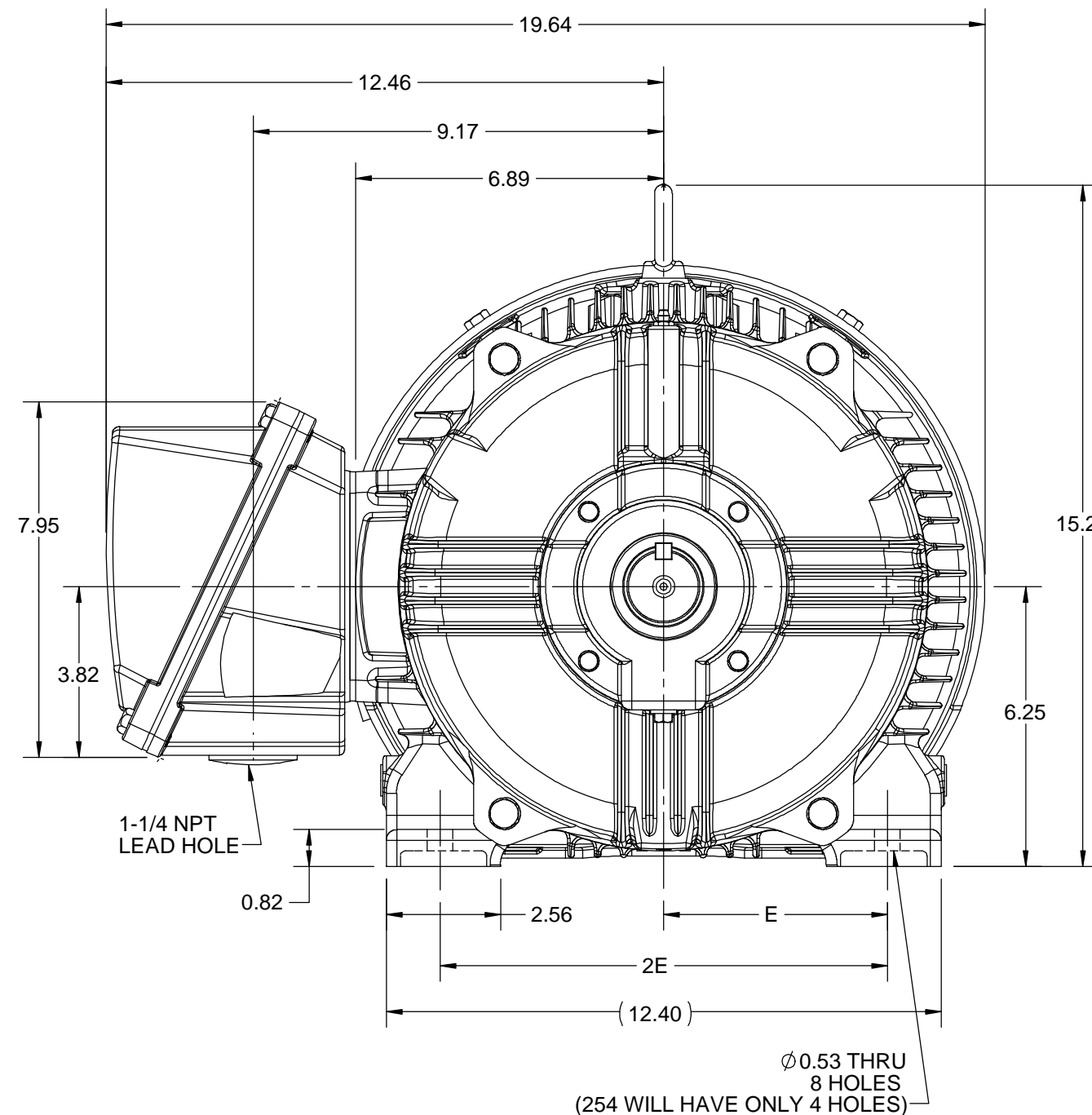
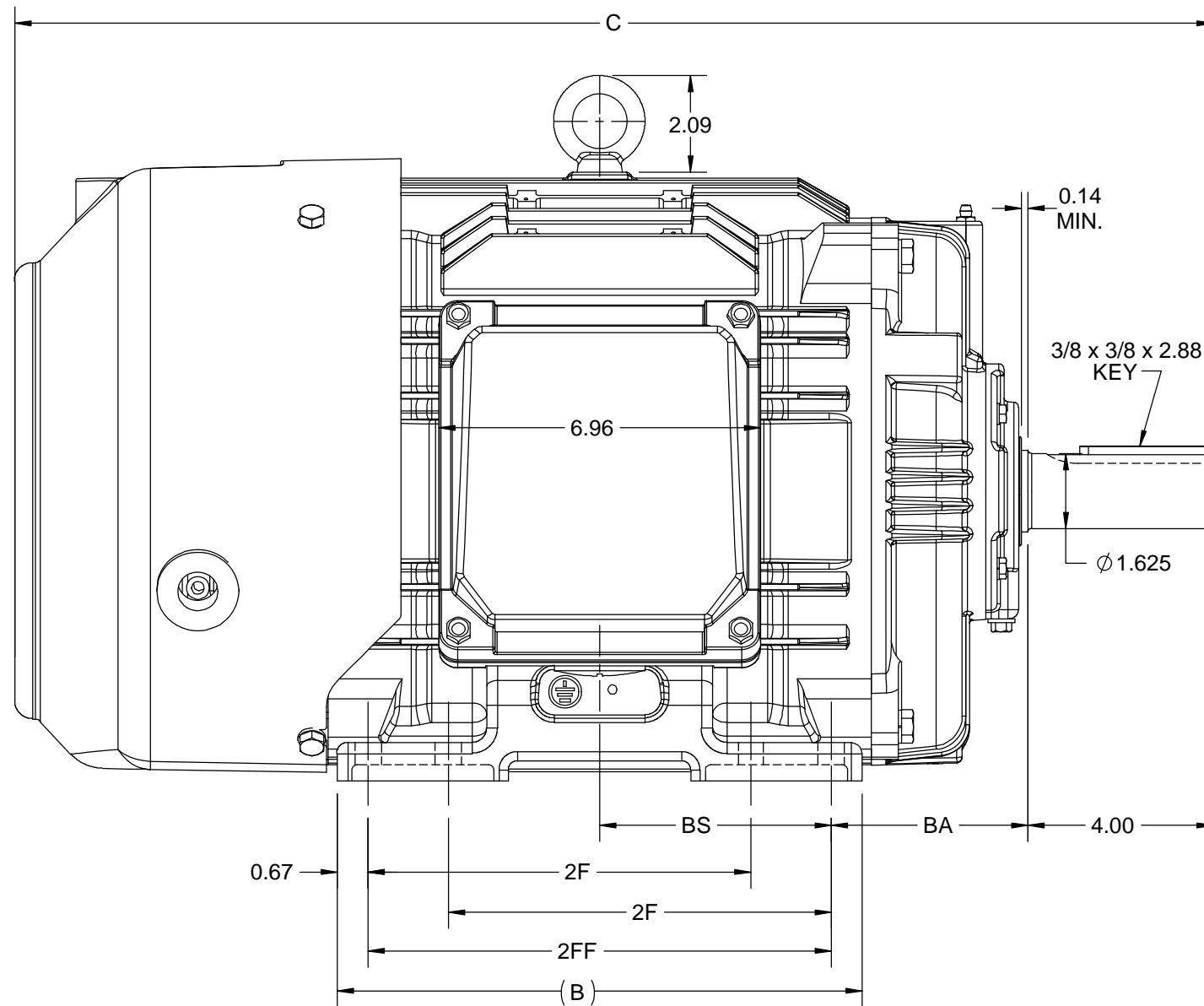
Phase	3	Output HP	15 & 3.75 Hp
Output KW	11.2 & 2.8 kW	Voltage	460 & 460 V
Speed	1778 & 885 rpm	Service Factor	1.15 & 1.15
Frame	256T	Enclosure	Totally Enclosed Fan Cooled
Thermal Protection	No Protection	Efficiency	91 & 86.5 %
Ambient Temperature	40 °C	Frequency	60 & 60 Hz
Current	18.8 & 6.8 A	Power Factor	81.8
Duty	Continuous	Insulation Class	H
Design Code	1VT	KVA Code	J
Drive End Bearing Size	6309	Opp Drive End Bearing Size	6209
UL	Recognized	CSA	Y
CE	Y	IP Code	55
Number of Speeds	2		

### Technical Specifications

Electrical Type	Squirrel Cage Induction Run	Starting Method	Across The Line
Poles	4/8	Rotation	Reversible
Resistance Main	.7042 Ohms	Mounting	Rigid Base
Motor Orientation	Horizontal	Drive End Bearing	Ball
Opp Drive End Bearing	Ball	Frame Material	Cast Iron
Shaft Type	T	Shaft Diameter	1.626 in
Assembly/Box Mounting	F1/F2 CAPABLE		
Connection Drawing	EE7322	Outline Drawing	SS208560-200

This is an uncontrolled document once printed or downloaded and is subject to change without notice. Date Created:06/23/2023

DASH NO.	4				3				MOUNTING	FRAME
	B	C	E	2E	2F	2FF	BA	BS		
100	9.60	24.15	5.00	10.00	-	8.25	4.25	4.13	F1 OR F2	254T
200	11.34	25.89			8.25	10.00				5.00



DRAWING REVISION E	REVISION BY BISWA	REV DATE/© DATE 10/07/2020
ECO ECO-0194249	APPROVED BY GNK	DATE 10/07/2020
ECO DESCRIPTION <b>DRAWING UPDATED</b> COPYRIGHT (PER REVISION DATE) REGAL BELOIT AMERICA, INC. ALL RIGHTS RESERVED. PROPRIETARY AND CONFIDENTIAL INFORMATION - THIS DOCUMENT IS THE PROPERTY OF REGAL BELOIT AMERICA, INC. ("OWNER") AND CONTAINS OWNER'S PROPRIETARY INFORMATION. ANY PERSON, CORPORATION OR OTHER FIRM RECEIVING IT IS DEEMED, BY RECEIVING IT, TO AGREE THAT IT, AND/OR ANY PART OF IT, SHALL NOT BE DISCLOSED TO ANY PERSON, CORPORATION OR OTHER ENTITY, DUPLICATED, AND/OR USED, EXCEPT AS EXPRESSLY APPROVED IN WRITING IN ADVANCE BY OWNER. THIS DOCUMENT SHALL BE RETURNED TO OWNER UPON REQUEST. IT MAY BE SUBJECT TO CERTAIN RESTRICTIONS UNDER APPLICABLE EXPORT CONTROL LAWS AND REGULATIONS.		

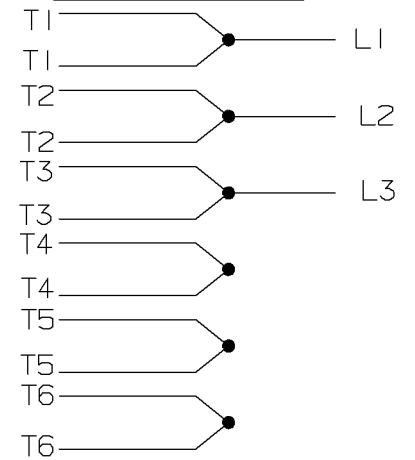
PRIMARY DIMENSIONS ARE INCH  
mm DIMENSIONS IN [BRACKETS]  
ARE FOR REFERENCE ONLY

DRAWN BY BISWA	<b>REGAL</b> ® Regal Beloit America, Inc.
DATE 26/09/2018	
APPROVED BY SBD	DESCRIPTION <b>OUTLINE</b> 254T/256T FR-NEMA-SD & IEEE841
DATE 26/09/2018	MATERIAL
REFERENCE	PROCESS/FINISH
THIRD ANGLE PROJECTION	SIZE <b>B</b>
	DRAWING NUMBER <b>SS208560</b>
	SHEET 1 OF 1

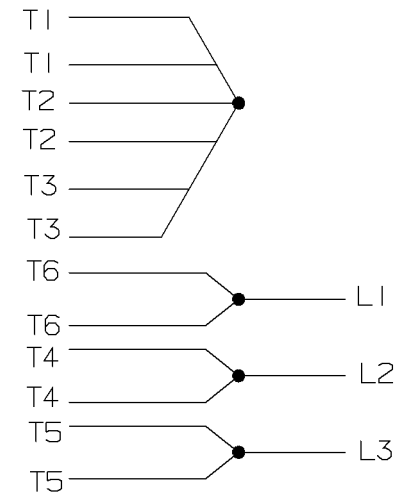
A- EE7322

FOR DUAL LEADS

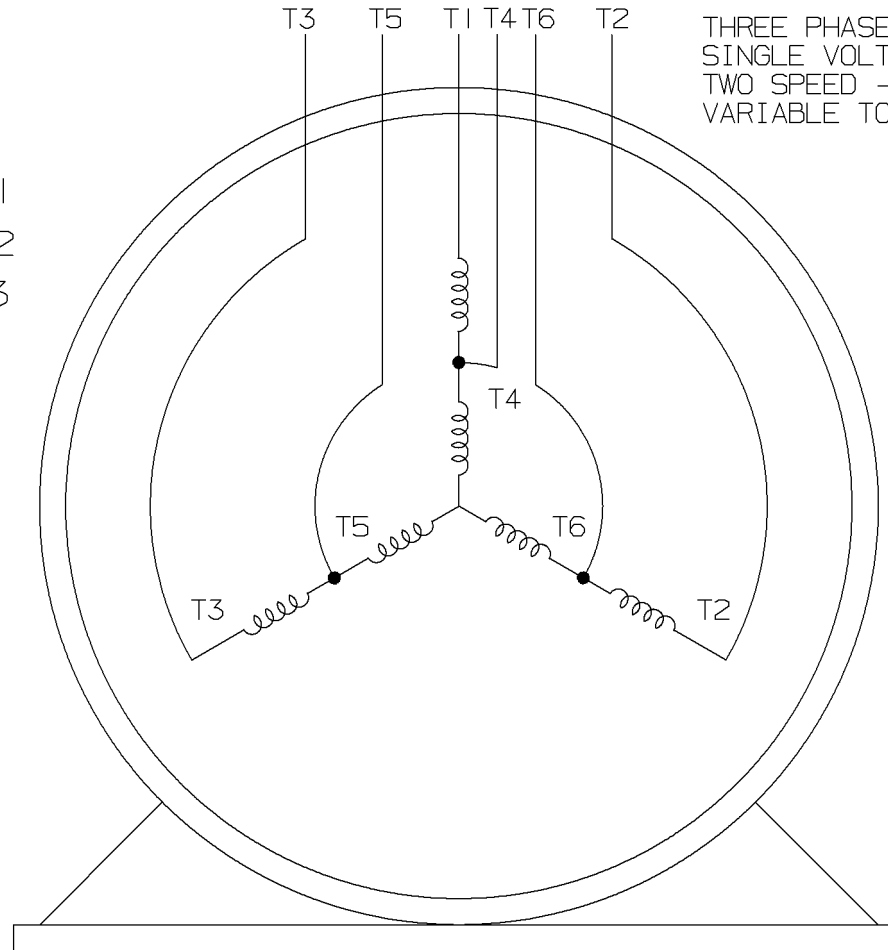
LOW SPEED



HIGH SPEED

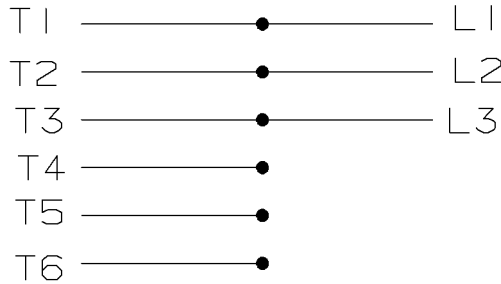


THREE PHASE MOTOR  
SINGLE VOLTAGE  
TWO SPEED - SGL. WDG.  
VARIABLE TORQUE

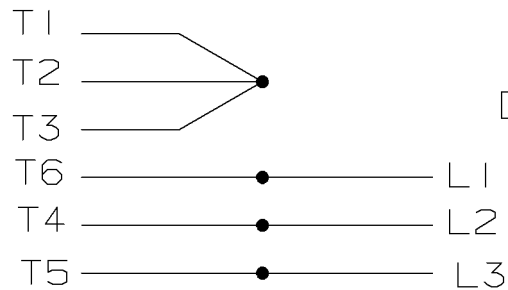


VIEW OF TERMINAL END

LOW SPEED



HIGH SPEED



T612C

T48B

				✓ MAX. SURFACE ROUGHNESS UNLESS NOTED OTHERWISE	UNLESS OTHERWISE SPECIFIED DIMENSIONS ARE IN INCHES TOL. ON XX±    XXX±.005    XXXX±.0005    ANGLES±		
				MATL SPEC		DRAWN BY PGK	12-26-1996
				FINISH			CHKD BY ML 01-07-1997
7	01-08-1997	REDRAWN ON CADD	PGK	REFERENCE DRW.	WAUSAU, WISCONSIN 54401		APPD BY TB 01-07-1997
REV	DATE	CHANGE	NAME	PART NAME	DRWG NO		
				3Ø - SINGLE VOLTAGE - 2 SPEED	A- EE7322		

SHOP BOOK

PURCHASED

DISTRIBUTION - WA - LB - WP - LM - BR

CADD FILE NO.

EE7322

## EC Declaration of Conformity

The undersigned representing  
the manufacturer:

Regal Beloit America  
100 East Randolph St.  
Wausau, WI 54401

and the authorized representative  
established within the Community:

Marathon Electric UK  
6F Thistleton Road Ind. Estate  
Market Overton  
Oakham, Rutland LE15 7PP UK

are committed to providing customers with products that comply with applicable regulations and international protocols to which they are subject, including the requirements of the European Parliament Directive on the Harmonization of the laws relating to electrical equipment designed for use within certain voltage limits (2014/35/EU).

Regal Beloit America declares that the following product(s), to which this declaration relates, are in conformity with the relevant sections of the EC standards listed below.

This statement supersedes any statements previously issued pertaining to the product(s) listed below and is subject to change without notice.

Model No : 256TTFCD7250

(Model No. may contain prefix and/or suffix characters)

Catalog No : Y384A

Rework No : N/A

Directives :

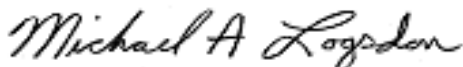
Low Voltage Directive 2014/35/EU

Harmonized Standards Used :

EN 60034-1: 2010 (IEC 60034-1: 2010)

EN 60034-5: 2001/A1:2007 (IEC 60034-5: 2000/A1:2006)

Authorized Representative:



Michael A. Logsdon  
Vice President, Technology

Authorized Representative in the Community:



Julian Clark  
Marketing Engineer

Created on 09/01/2022

**CE 22**