

PRODUCT INFORMATION PACKET

Model No: 256TTFCD6085

Catalog No: GT3420A

Globetrotter® Close-Coupled Pump Motor, 10 & 7.50 HP, 3 Ph, 60 & 50 Hz, 230/460 & 190/380 V,
1200 & 1000 RPM, 256JP Frame, TEFC



Regal and Marathon are trademarks of Regal Rexnord Corporation or one of its affiliated companies.
©2024 Regal Rexnord Corporation, All Rights Reserved. MC017097E

Nameplate Specifications

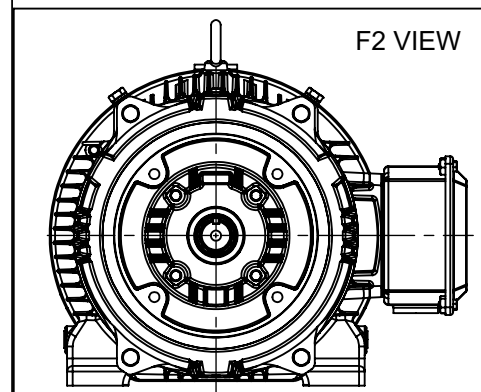
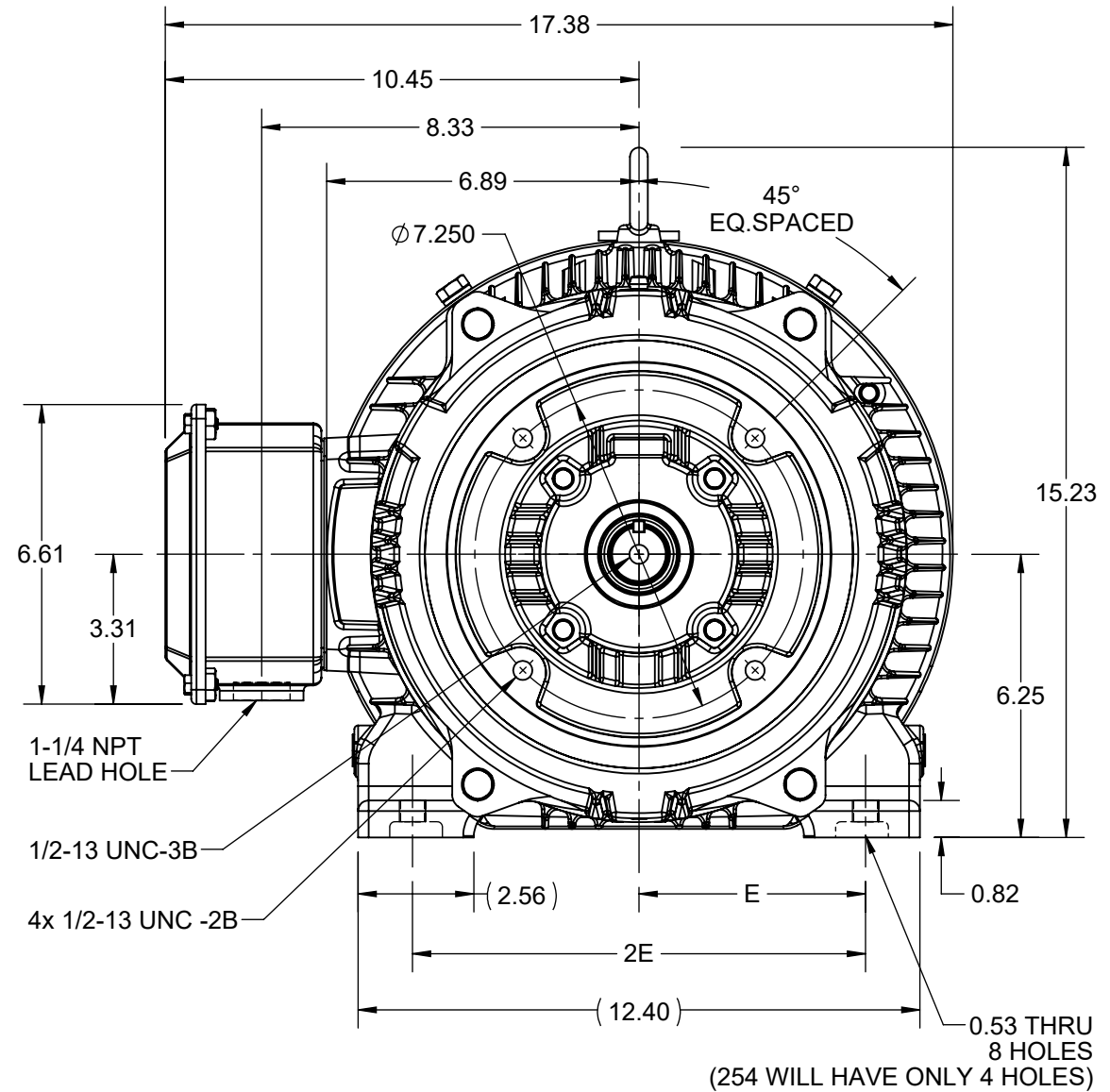
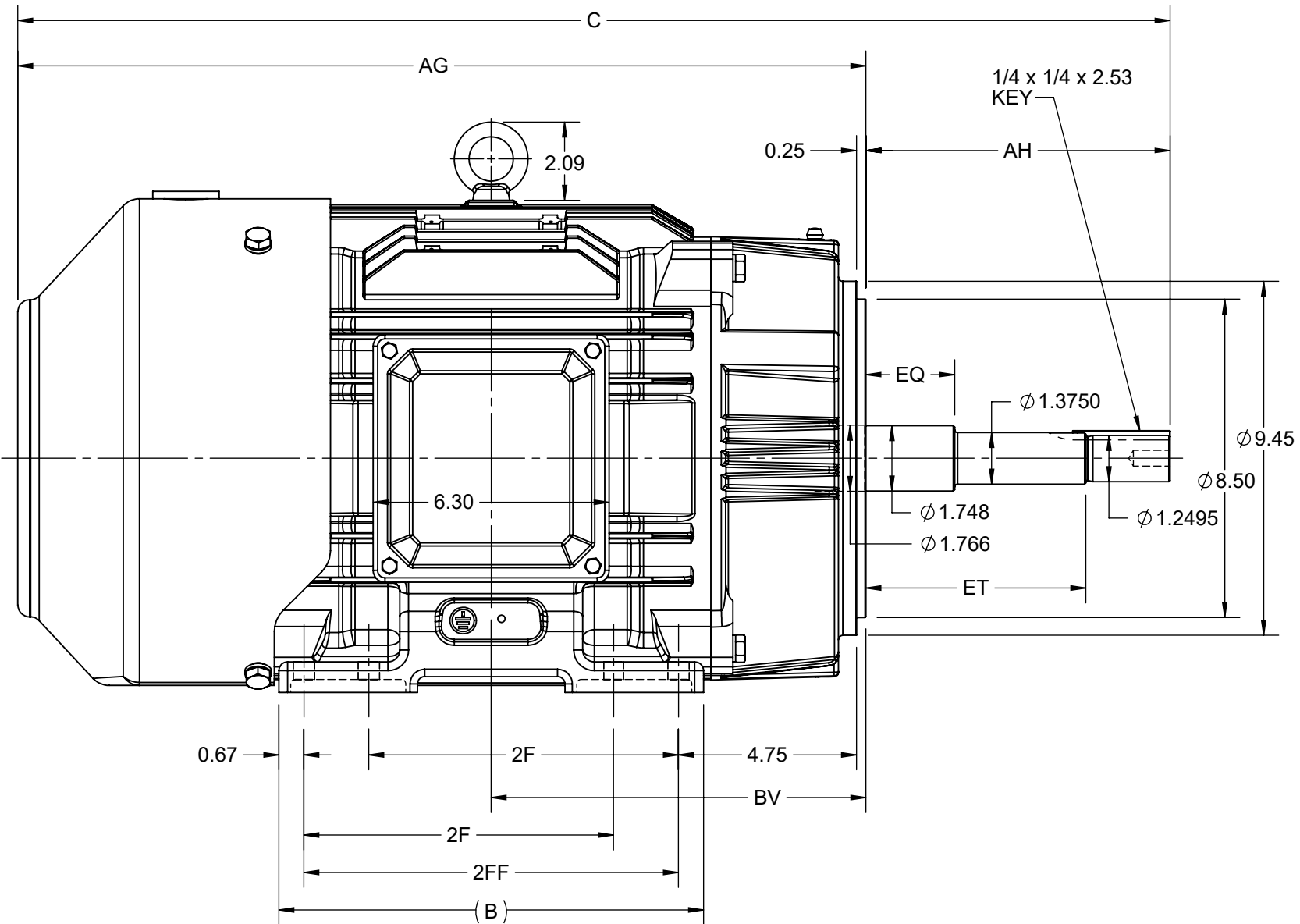
| | | | |
|------------------------|--------------------------------|----------------------------|------------------------------------|
| Phase | 3 | Output HP | 10 & 7.50 Hp |
| Output KW | 7.5 & 5.6 kW | Voltage | 230/460 & 190/380 V |
| Speed | 1180 & 980 rpm | Service Factor | 1.15 & 1.15 |
| Frame | 256JP | Enclosure | Totally Enclosed Fan Cooled |
| Thermal Protection | No Protection | Efficiency | 91 & 90.2 % |
| Ambient Temperature | 40 °C | Frequency | 60 & 50 Hz |
| Current | 25.8/12.9 & 24/12 A | Power Factor | 80.5 |
| Duty | Continuous | Insulation Class | F |
| Design Code | B | KVA Code | G |
| Drive End Bearing Size | 6309 | Opp Drive End Bearing Size | 6209 |
| UL | Listed | CSA | Y |
| CE | Y | IP Code | 55 |
| Number of Speeds | 1 | Hazardous Location | DIVISION 2 T2B |

Technical Specifications

| | | | |
|-----------------------|-------------------------------------|-----------------------|-------------------------|
| Electrical Type | Squirrel Cage Inverter Rated | Starting Method | Line Or Inverter |
| Poles | 6 | Rotation | Reversible |
| Resistance Main | 1.21 Ohms | Mounting | Rigid Base |
| Motor Orientation | Horizontal | Drive End Bearing | Ball |
| Opp Drive End Bearing | Ball | Frame Material | Cast Iron |
| Shaft Type | JP | Overall Length | 30.76 in |
| Frame Length | 11.73 in | Shaft Diameter | 1.250 in |
| Shaft Extension | 8.37 in | Assembly/Box Mounting | F1/F2 CAPABLE |
| Inverter Load | CONSTANT 10:1/VARIABLE 10:1 | | |
| Outline Drawing | SS620809-200 | Connection Drawing | EE7308K |

This is an uncontrolled document once printed or downloaded and is subject to change without notice. Date Created:10/18/2024

| DASH NO. | 4 | | | | 3 | | | | 2 | | | | 1 |
|----------|-------|-------|------|-------|------|-------|-------|-------|-------|------|------|----------|-----------|
| | B | C | E | 2E | 2F | 2FF | AG | AH | BV | EQ | ET | MOUNTING | FRAME |
| 100 | 9.60 | 29.03 | 5.00 | 10.00 | --- | 8.50 | 20.91 | 8.121 | 9.14 | 2.37 | 5.87 | F1 OR F2 | 254JP |
| 200 | 11.34 | 30.76 | | | 8.50 | 10.00 | 22.64 | | 10.00 | | | | 254/256JP |



| | | |
|---|--------------------|-------------------------------|
| DRAWING REVISION C | REVISION BY VS | REV DATE/© DATE 11-02-2021 |
| ECO CR-0000461 | APPROVED BY GNK | DATE 11-02-2021 |
| ECO DESCRIPTION DRAWING UPDATED | | |
| <small>COPYRIGHT (PER REVISION DATE) REGAL BELOIT AMERICA, INC. ALL RIGHTS RESERVED. PROPRIETARY AND CONFIDENTIAL INFORMATION - THIS DOCUMENT IS THE PROPERTY OF REGAL BELOIT AMERICA, INC. ("OWNER") AND CONTAINS OWNER'S PROPRIETARY INFORMATION. ANY PERSON, CORPORATION OR OTHER FIRM RECEIVING IT IS DEEMED, BY RECEIVING IT, TO AGREE THAT IT, AND/OR ANY PART OF IT, SHALL NOT BE DISCLOSED TO ANY PERSON, CORPORATION OR OTHER ENTITY, DUPLICATED, AND/OR USED, EXCEPT AS EXPRESSLY APPROVED IN WRITING IN ADVANCE BY OWNER. THIS DOCUMENT SHALL BE RETURNED TO OWNER UPON REQUEST. IT MAY BE SUBJECT TO CERTAIN RESTRICTIONS UNDER APPLICABLE EXPORT CONTROL LAWS AND REGULATIONS.</small> | | |

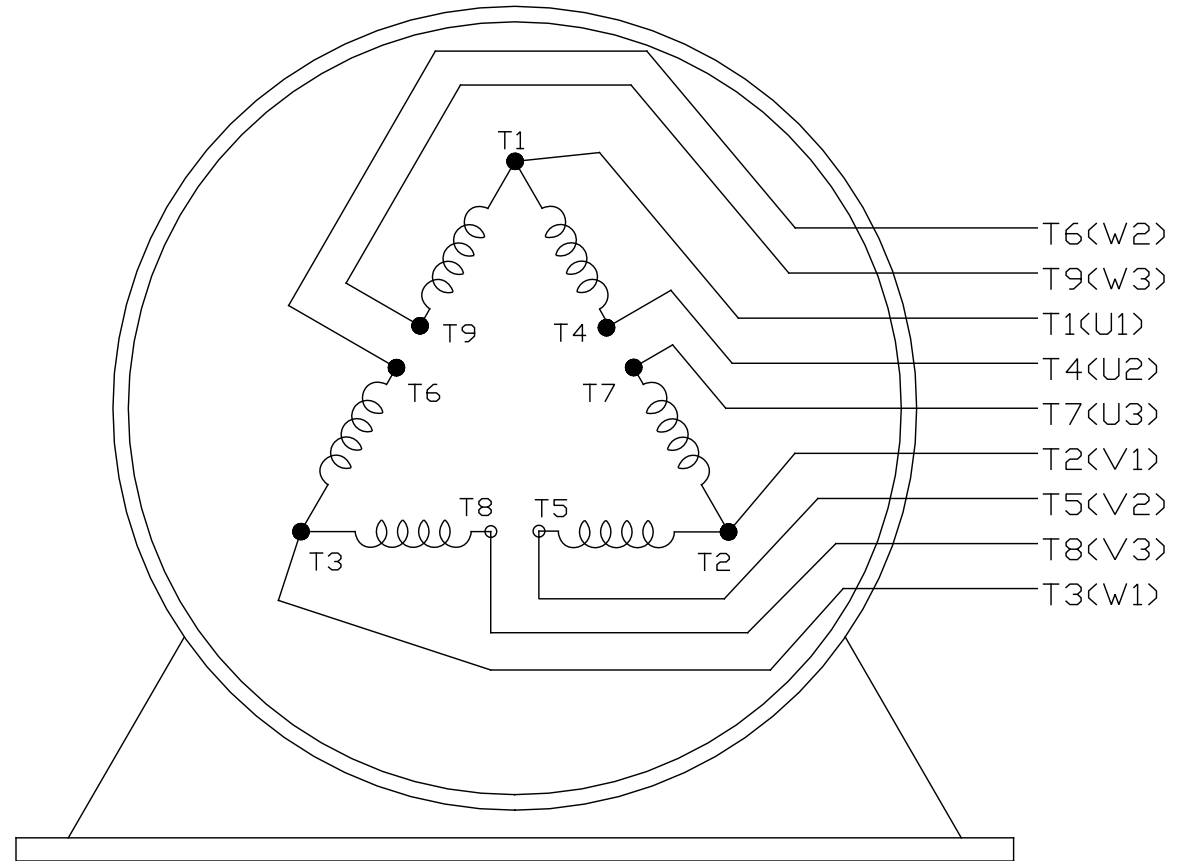
PRIMARY DIMENSIONS ARE INCH
mm DIMENSIONS IN [BRACKETS]
ARE FOR REFERENCE ONLY

| | |
|------------------------|---|
| DRAWN BY SN | REGAL ® Regal Beloit America, Inc. |
| DATE 12/04/2017 | |
| APPROVED BY SBD | DESCRIPTION OUTLINE |
| DATE 12/04/2017 | 254/256 JP FR NEMA TEFC-CAST IRON |
| REFERENCE | MATERIAL PROCESS/FINISH |
| THIRD ANGLE PROJECTION | SIZE B |
| | DRAWING NUMBER SS620809 |
| | SHEET 1 OF 1 |

LOW VOLTAGE



HIGH VOLTAGE



VIEW OF TERMINAL END

| | | | | TOLERANCES UNLESS SPECIFIED | |  REGAL - BELOIT CORPORATION | DRAWN PGK 06-04-1997 | | | |
|--|--|----------------|-----|-----------------------------|------------------|--|----------------------|--------------------|---------------------|------|
| NO. | REVISION | BY & DATE | CHK | ANG | ± | | UNIT | CHK | ML 06-05-1997 | |
| E | CORRECTED IEC MARKINGS ECD-0111208 | WGJ 01-23-2017 | EMH | DEC. | | INCHES | | APPD | GK 06-15-1997 | |
| D | RE-DRAWN WITH REGAL LOGO ECD-0110493 | WGJ 09-30-2016 | EMH | .X | ±.1 | | | | | |
| 8 | ADDED IEC DESIGNATIONS MU95020 | TJW 4/30/2010 | MJS | .XX | ±.02 | | TITLE | CONNECTION DIAGRAM | | |
| 7 | REVISED HIGH VOLTAGE L2 WAS L3 CN52600-354 | MRB 09-21-1998 | | .XXX | ±.005 | | | SCALE | | |
| 6 | REDRAWN ON CADD | PGK 06-05-1997 | | .XXXX | ±.0005 | | MAT'L. | REF | | |
| | | | | | ±7'30" | | FINISH | PREV | | |
| THIS DRAWING IN DESIGN AND DETAIL IS OUR PROPERTY AND MUST NOT BE USED EXCEPT IN CONNECTION WITH OUR WORK ALL RIGHTS OF DESIGN AND INVENTION ARE RESERVED THIS IS AN ELECTRONICALLY GENERATED DOCUMENT - DO NOT SCALE THIS PRINT | | | | RFP | CAD FILE EE7308K | | | SIZE | DRAWING NO. PAGE OF | REV. |
| | | | | DIST | | | | A | EE7308K | E |



**P.O. BOX 8003
WAUSAU, WI 54401-8003
PH. 715-675-3311**

CERTIFICATION DATA SHEET

CUSTOMER:

CUSTOMER PO#:

ORDER #:

MODEL #: 256TTFCD6085 AA

CONN. DIAGRAM: EE7308K

CUSTOMER PART

#:

OUTLINE: SS620809

MOUNTING: F1/F2 CAPABLE

WINDING #: HE31606006 2

TYPICAL MOTOR PERFORMANCE DATA

| HP | kW | SYNC. RPM | F.L. RPM | FRAME | ENCLOSURE | KVA CODE | DESIGN |
|----------|-----------|-----------|----------|-------|-----------|----------|--------|
| 10&7 1/2 | 7.50&5.60 | 1200 | 1180&980 | 256JP | TEFC | G | B |

| PH | Hz | VOLTS | AMPS | START TYPE | DUTY | INSL | S.F. | AMB°C |
|----|-------|-----------------|-----------------|------------------|------------|------|-----------|-------|
| 3 | 60/50 | 230/460&190/380 | 25.8/12.9&24/12 | LINE OR INVERTER | CONTINUOUS | F7 | 1.15/1.15 | 40 |

| FULL LOAD EFF: | 91&90.2 | 3/4 LOAD EFF: | 91 | 1/2 LOAD EFF: | 90.2 | GTD. EFF | | ELEC. TYPE | |
|----------------|---------|---------------|----|---------------|------|----------|--|-------------------|--|
| FULL LOAD PF: | 80.5&79 | 3/4 LOAD PF: | 75 | 1/2 LOAD PF: | 64 | 90.2 | | SQ CAGE INV RATED | |

| F.L. TORQUE | LOCKED ROTOR AMPS | L.R. TORQUE | B.D. TORQUE | F.L. RISE°C |
|-------------|-------------------|----------------|-----------------|-------------|
| 44.5 LB-FT | 152 / 76 | 87 LB-FT 195 % | 106 LB-FT 238 % | 45 |

| SOUND PRESSURE @ 3 FT. | SOUND POWER | ROTOR WK^2 | MAX. WK^2 | SAFE STALL TIME | STARTS / HOUR | APPROX. MOTOR WGT |
|------------------------|-------------|-------------|-------------|-----------------|---------------|-------------------|
| 56 dBA | 66 dBA | 2.9 LB-FT^2 | 200 LB-FT^2 | 20 SEC. | 2 | 375 LBS. |

***** SUPPLEMENTAL INFORMATION *****

| DE BRACKET TYPE | ODE BRACKET TYPE | MOUNT TYPE | ORIENTATION | SEVERE DUTY | HAZARDOUS LOCATION | DRIP COVER | SCREENS | PAINT |
|-----------------|------------------|------------|-------------|-------------|--------------------|------------|---------|---------------|
| C-FACE | STANDARD | RIGID | HORIZONTAL | FALSE | DIVISION 2 T2B | FALSE | NONE | BLUE (ENAMEL) |

| BEARINGS | | GREASE | SHAFT TYPE | SPECIAL DE | SPECIAL ODE | SHAFT MATERIAL | FRAME MATERIAL |
|----------|------|------------|------------|------------|-------------|-------------------------|----------------|
| DE | ODE | | | | | | |
| BALL | BALL | POLYREX EM | JP | NONE | NONE | 1045 HOT ROLLED (C-204) | CAST IRON |
| 6309 | 6209 | | | | | | |

| THERMO-PROTECTORS | | | | THERMISTORS | CONTROL | SPACE HEATERS |
|-------------------|------------|----------|----------|-------------|---------|---------------|
| THERMOSTATS | PROTECTORS | WDG RTDs | BRG RTDs | | | |
| NONE | NOT | NONE | NONE | NONE | FALSE | NONE VOLTS |

*
N
O
T
E
S
*

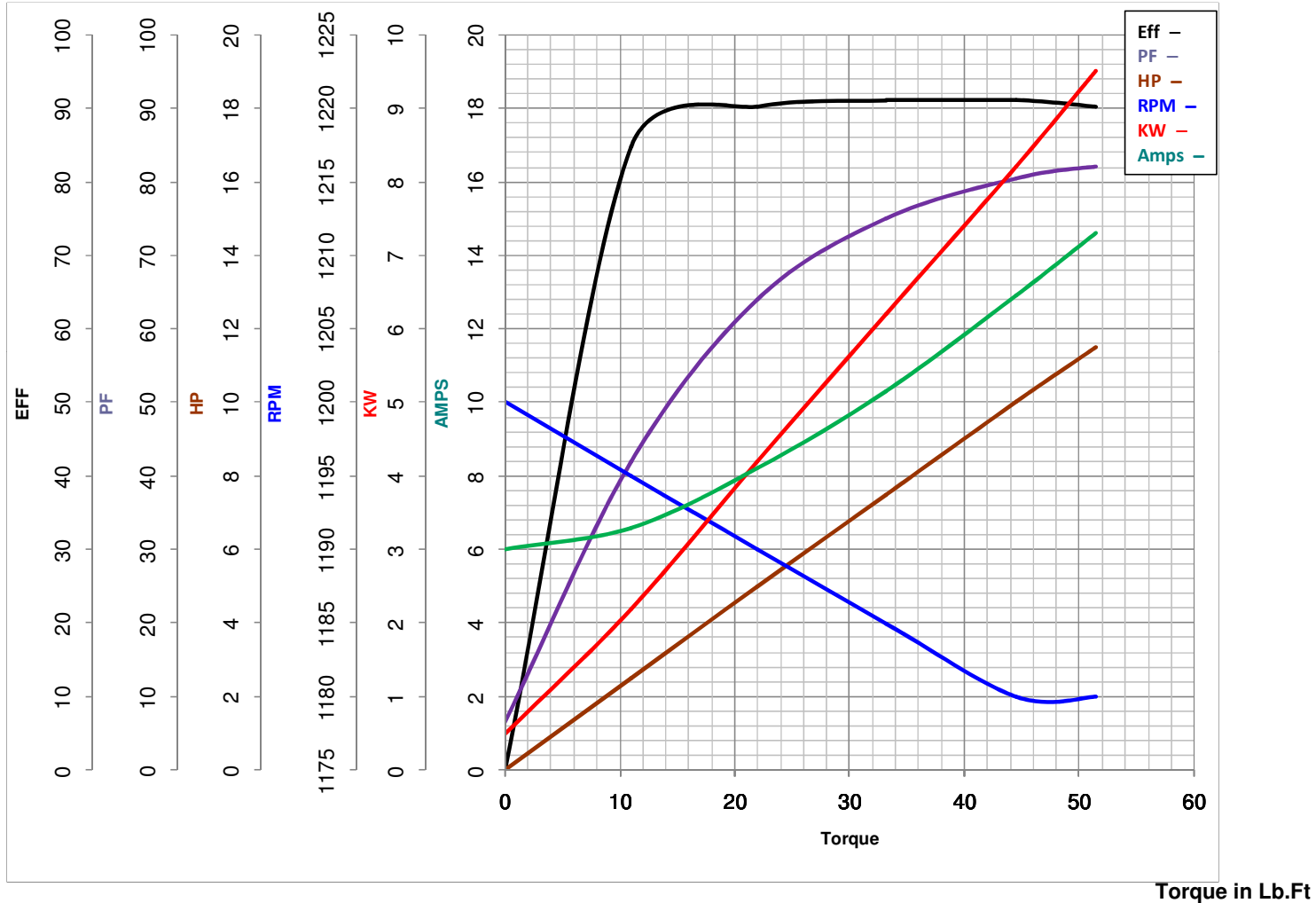
| |
|---|
| INVERTER TORQUE: CONSTANT 20:1/VARIABLE 20:1 INV. HP SPEED RANGE: NONE |
| ENCODER: NONE NONE NONE NONE NONE PPR |
| BRAKE: NONE NONE NONE P/N NONE NONE NONE NONE FT-LB NONE V NONE Hz |

PREPARED BY: Anusha Muthyala
DATE: 05/04/2018 02:08:49 AM
FORM 3531 REV.3 02/07/99
** Subject to change without notice.

MARATHON ELECTRIC CORPORATION

TYPICAL PERFORMANCE CURVE for AC MOTOR

Customer _____ Curve at 460 Volts HP 10&7.5 PHASE 3
 Model No 256TTFC6085 60 HZ
10 HP VOLTS 230/460&190/380
 Catalog No GT3420A HZ 60&50 RPM 1180&980



| | | | | | |
|-----------|--------------|-------------|-----------|------------------|----------|
| FL TORQUE | <u>44.5</u> | Lb.Ft | FL AMPS | <u>25.8/12.9</u> | |
| BD TORQUE | <u>106.0</u> | Lb.Ft | PU TORQUE | <u>73.5</u> | Lb.Ft |
| LR TORQUE | <u>87</u> | Lb.Ft | LR AMPS | <u>76</u> | |
| WINDING | HE31606006-2 | Prepared By | ANUSHA M | Date | 5/4/2018 |

EC Declaration of Conformity

The undersigned representing
the manufacturer:

Regal Beloit America
100 East Randolph St.
Wausau, WI 54401

and the authorized representative
established within the Community:

Marathon Electric UK
6F Thistleton Road Ind. Estate
Market Overton
Oakham, Rutland LE15 7PP UK

are committed to providing customers with products that comply with applicable regulations and international protocols to which they are subject, including the requirements of the European Parliament Directive on the Harmonization of the laws relating to electrical equipment designed for use within certain voltage limits (2014/35/EU).

Regal Beloit America declares that the following product(s), to which this declaration relates, are in conformity with the relevant sections of the EC standards listed below.

This statement supersedes any statements previously issued pertaining to the product(s) listed below and is subject to change without notice.

Model No : 256TTFCD6085

(Model No. may contain prefix and/or suffix characters)

Catalog No : GT3420A

Rework No : N/A

Directives :

Low Voltage Directive 2014/35/EU

Harmonized Standards Used :

EN 60034-1: 2010 (IEC 60034-1: 2010)

EN 60034-5: 2001/A1:2007 (IEC 60034-5: 2000/A1:2006)

Authorized Representative:



Michael A. Logsdon
Vice President, Technology

Authorized Representative in the Community:



Julian Clark
Marketing Engineer

Created on 09/01/2022

CE 22