

PRODUCT INFORMATION PACKET

marathon®
Motors

Model No: 256TTFCD6072

Catalog No: GT3125A-P

Globetrotter® Close-Coupled Pump Motor, 20 & 15 HP, 3 Ph, 60 & 50 Hz, 230/460 & 190/380 V,
1800 & 1500 RPM, 256JM Frame, TEFC



Regal and Marathon are trademarks of Regal Rexnord Corporation or one of its affiliated companies.

©2023 Regal Rexnord Corporation, All Rights Reserved. MC017097E

RegalRexnord

Nameplate Specifications

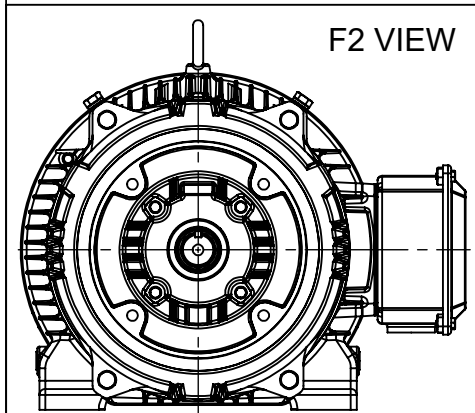
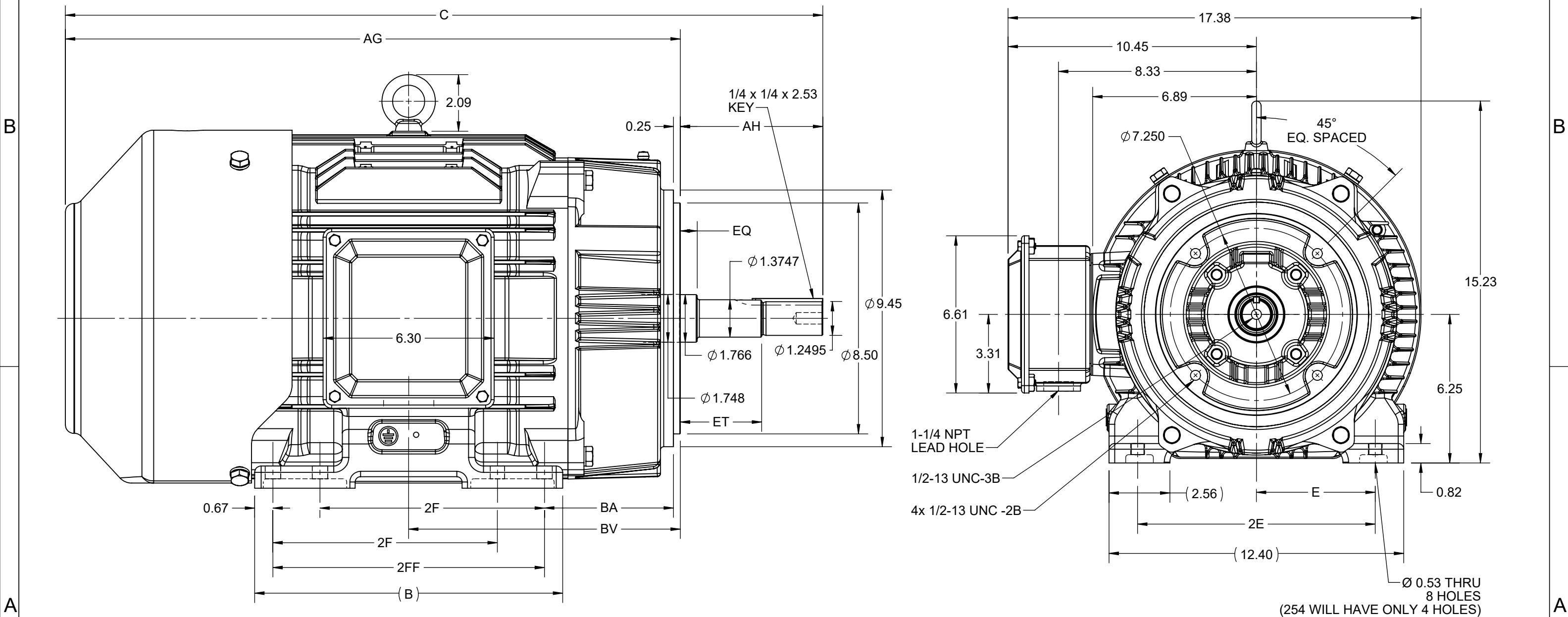
| | | | |
|------------------------|------------------------------------|----------------------------|------------------------------------|
| Phase | 3 | Output HP | 20 & 15 Hp |
| Output KW | 14.9 & 11.2 kW | Voltage | 230/460 & 190/380 V |
| Speed | 1768 & 1472 rpm | Service Factor | 1.15 & 1.15 |
| Frame | 256JM | Enclosure | Totally Enclosed Fan Cooled |
| Thermal Protection | No Protection | Efficiency | 93 & 92.7 % |
| Ambient Temperature | 40 °C | Frequency | 60 & 50 Hz |
| Current | 48.5/24.2 & 44.5/22.3 A | Power Factor | 83.5 |
| Duty | Continuous | Insulation Class | F |
| Design Code | B | KVA Code | G |
| Drive End Bearing Size | 6309 | Opp Drive End Bearing Size | 6209 |
| UL | Recognized | CSA | Y |
| CE | Y | IP Code | 55 |
| Number of Speeds | 1 | | |

Technical Specifications

| | | | |
|-----------------------|-------------------------------------|--------------------|------------------------------------|
| Electrical Type | Squirrel Cage Inverter Rated | Starting Method | Line Or Inverter |
| Poles | 4 | Rotation | Reversible |
| Resistance Main | .513 Ohms | Mounting | Rigid Base |
| Motor Orientation | Horizontal | Drive End Bearing | Ball |
| Opp Drive End Bearing | Ball | Frame Material | Cast Iron |
| Shaft Type | JM | Shaft Diameter | 1.375 in |
| Assembly/Box Mounting | F1/F2 CAPABLE | Inverter Load | CONSTANT 10:1/VARIABLE 10:1 |
| Outline Drawing | SS620795-200 | Connection Drawing | EE7308K |

This is an uncontrolled document once printed or downloaded and is subject to change without notice. Date Created:06/22/2023

| DASH NO. | 4 | | | | 3 | | | | 2 | | | | 1 | |
|----------|-------|-------|------|-------|------|-------|-------|------|------|-------|------|------|----------|-----------|
| | B | C | E | 2E | 2F | 2FF | AG | AH | BA | BV | EQ | ET | MOUNTING | FRAME |
| 100 | 9.60 | 26.16 | 5.00 | 10.00 | --- | 8.25 | 20.91 | 5.25 | 4.75 | 9.75 | 0.62 | 2.99 | F1 OR F2 | 254JM |
| 200 | 11.34 | 27.89 | | | 8.25 | 10.00 | 22.64 | | | 10.50 | | | | 254/256JM |



| | | |
|---|--------------------|-------------------------------|
| DRAWING REVISION C | REVISION BY VS | REV DATE/© DATE 18-11-2020 |
| ECO CR-0000332 | APPROVED BY GNK | DATE 18-11-2020 |
| ECO DESCRIPTION DRAWING UPDATED | | |
| <small>COPYRIGHT (PER REVISION DATE) REGAL BELOIT AMERICA, INC. ALL RIGHTS RESERVED. PROPRIETARY AND CONFIDENTIAL INFORMATION - THIS DOCUMENT IS THE PROPERTY OF REGAL BELOIT AMERICA, INC. ("OWNER") AND CONTAINS OWNER'S PROPRIETARY INFORMATION. ANY PERSON, CORPORATION OR OTHER FIRM RECEIVING IT IS DEEMED, BY RECEIVING IT, TO AGREE THAT IT, AND/OR ANY PART OF IT, SHALL NOT BE DISCLOSED TO ANY PERSON, CORPORATION OR OTHER ENTITY, DUPLICATED, AND/OR USED, EXCEPT AS EXPRESSLY APPROVED IN WRITING IN ADVANCE BY OWNER. THIS DOCUMENT SHALL BE RETURNED TO OWNER UPON REQUEST. IT MAY BE SUBJECT TO CERTAIN RESTRICTIONS UNDER APPLICABLE EXPORT CONTROL LAWS AND REGULATIONS.</small> | | |

PRIMARY DIMENSIONS ARE INCH
mm DIMENSIONS IN [BRACKETS]
ARE FOR REFERENCE ONLY

| | |
|------------------------|--|
| DRAWN BY SN | REGAL ® Regal Beloit America, Inc. |
| DATE 12/04/2017 | |
| APPROVED BY SBD | DESCRIPTION OUTLINE TEFC-254/256 JM FR--CAST IRON |
| DATE 12/04/2017 | MATERIAL PROCESS/FINISH |
| REFERENCE | SIZE B |
| THIRD ANGLE PROJECTION | DRAWING NUMBER SS620795 |
| | SHEET 1 OF 1 |


LOW VOLTAGE



HIGH VOLTAGE



VIEW OF TERMINAL END

| | | | TOLERANCES UNLESS SPECIFIED | |  REGAL - BELOIT CORPORATION | DRAWN PGK 06-04-1997 | | | | | |
|--|--|----------------|-----------------------------|-------|--|----------------------|---------------------------------|--------------------|---------------------|---------|--------|
| NO. | REVISION | BY & DATE | CHK | ANG | | ± | INCHES | SCALE | PREV | | |
| E | CORRECTED IEC MARKINGS ECD-0111208 | WGJ 01-23-2017 | EMH | DEC. | | | | CHK ML 06-05-1997 | | | |
| D | RE-DRAWN WITH REGAL LOGO ECD-0110493 | WGJ 09-30-2016 | EMH | .X | ±.1 | | | APPD GK 06-15-1997 | | | |
| 8 | ADDED IEC DESIGNATIONS MU95020 | TJW 4/30/2010 | MJS | .XX | ±.02 | | TITLE CONNECTION DIAGRAM | | | | |
| 7 | REVISED HIGH VOLTAGE L2 WAS L3 CN52600-354 | MRB 09-21-1998 | | .XXX | ±.005 | | TITLE DELTA CON. - 3Ø - 9 LEADS | REF | | | |
| 6 | REDRAWN ON CADD | PGK 06-05-1997 | | .XXXX | ±.0005 | | MAT'L. | FMF | | | |
| | | | | | ±7'30" | | FINISH | | | | |
| THIS DRAWING IN DESIGN AND DETAIL IS OUR PROPERTY AND MUST NOT BE USED EXCEPT IN CONNECTION WITH OUR WORK ALL RIGHTS OF DESIGN AND INVENTION ARE RESERVED THIS IS AN ELECTRONICALLY GENERATED DOCUMENT - DO NOT SCALE THIS PRINT | | | | | RFP | CAD FILE EE7308K | | SIZE A | DRAWING NO. EE7308K | PAGE OF | REV. E |
| | | | | | DIST | | | | | | |

EC Declaration of Conformity

The undersigned representing
the manufacturer:

Regal Beloit America
100 East Randolph St.
Wausau, WI 54401

and the authorized representative
established within the Community:

Marathon Electric UK
6F Thistleton Road Ind. Estate
Market Overton
Oakham, Rutland LE15 7PP UK

are committed to providing customers with products that comply with applicable regulations and international protocols to which they are subject, including the requirements of the European Parliament Directive on the Harmonization of the laws relating to electrical equipment designed for use within certain voltage limits (2014/35/EU).

Regal Beloit America declares that the following product(s), to which this declaration relates, are in conformity with the relevant sections of the EC standards listed below.

This statement supersedes any statements previously issued pertaining to the product(s) listed below and is subject to change without notice.

Model No : 256TTFCD6072

(Model No. may contain prefix and/or suffix characters)

Catalog No : GT3125A-P

Rework No : N/A

Directives :

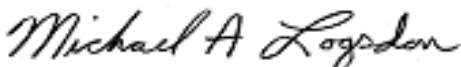
Low Voltage Directive 2014/35/EU

Harmonized Standards Used :

EN 60034-1: 2010 (IEC 60034-1: 2010)

EN 60034-5: 2001/A1:2007 (IEC 60034-5: 2000/A1:2006)

Authorized Representative:



Michael A. Logsdon
Vice President, Technology

Authorized Representative in the Community:



Julian Clark
Marketing Engineer

Created on 09/01/2022

CE 22