

PRODUCT INFORMATION PACKET

marathon[®]
Motors

Model No: 256TTDX4075

Catalog No: E197

Close-Coupled Pump Motor, 20 & 15 HP, 3 Ph, 60 & 50 Hz, 230/460 & 190/380 V, 1800 & 1500 RPM,
256JM Frame, DP

Regal and Marathon are trademarks of Regal Rexnord Corporation or one of its affiliated companies.

©2023 Regal Rexnord Corporation, All Rights Reserved. MC017097E

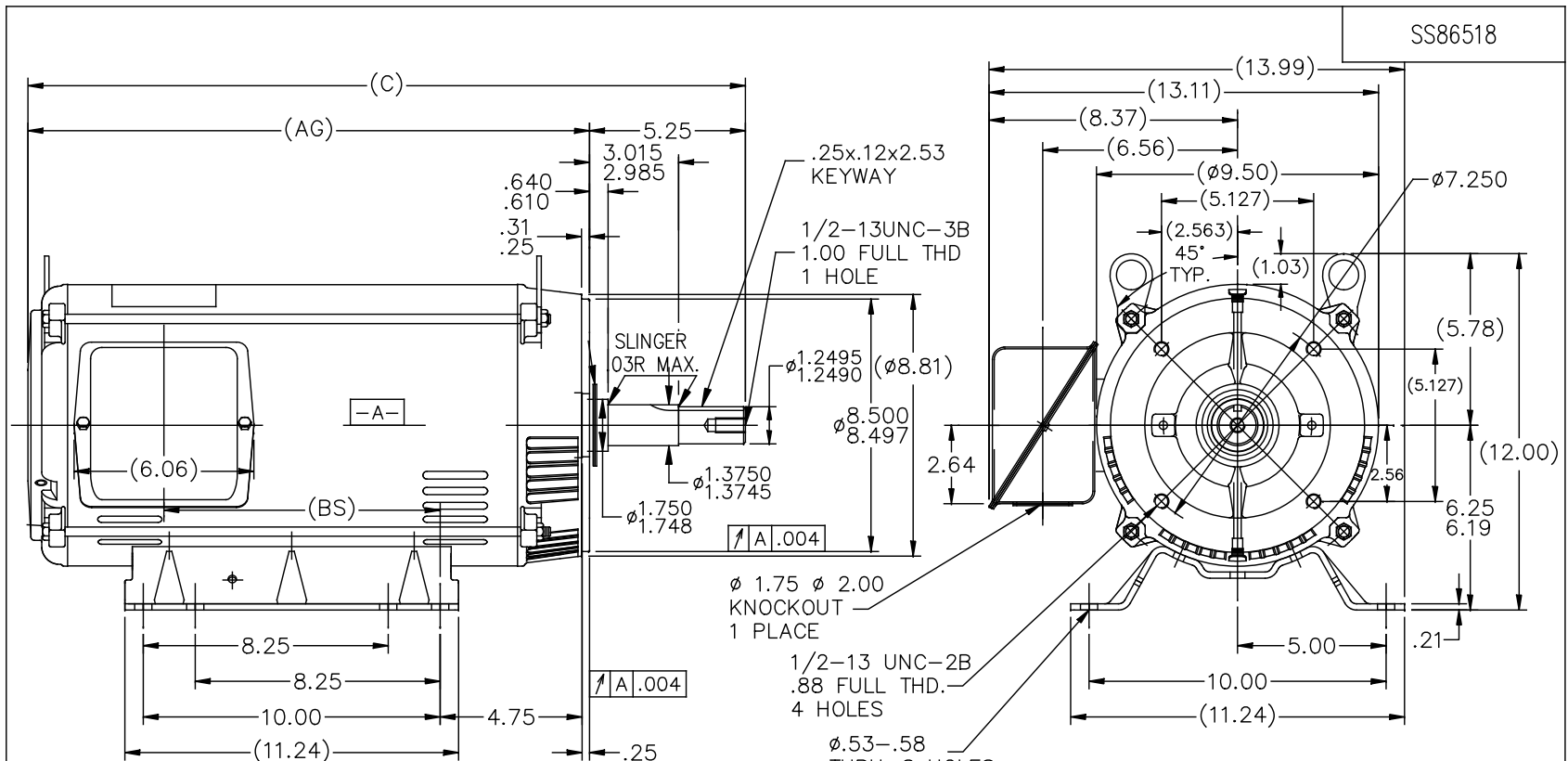
The logo for Regal Rexnord, featuring a stylized 'R' icon followed by the text 'RegalRexnord'.

Nameplate Specifications

| | | | |
|------------------------|------------------------------|----------------------------|--------------------------------|
| Phase | 3 | Output HP | 20 & 15 Hp |
| Output KW | 14.9 & 11.2 kW | Voltage | 230/460 & 190/380 V |
| Speed | 1760 & 1465 rpm | Service Factor | 1.15 & 1.15 |
| Frame | 256JM | Enclosure | Drip Proof |
| Thermal Protection | No Protection | Efficiency | 91 & 90.2 % |
| Ambient Temperature | 40 °C | Frequency | 60 & 50 Hz |
| Current | 52/26 & 47/23.5 A | Power Factor | 79.3 |
| Duty | Continuous | Insulation Class | B |
| Design Code | B | KVA Code | H |
| Drive End Bearing Size | 6309 | Opp Drive End Bearing Size | 6208 |
| UL | Recognized | CSA | Y |
| CE | Y | IP Code | 12 |
| Number of Speeds | 1 | | |

Technical Specifications

| | | | |
|-----------------------|------------------------------------|-----------------------|------------------------|
| Electrical Type | Squirrel Cage Induction Run | Starting Method | Across The Line |
| Poles | 4 | Rotation | Reversible |
| Resistance Main | .428 Ohms | Mounting | Rigid Base |
| Motor Orientation | Horizontal | Drive End Bearing | Ball |
| Opp Drive End Bearing | Ball | Frame Material | Rolled Steel |
| Shaft Type | JM | Overall Length | 24.17 in |
| Frame Length | 15.15 in | Shaft Diameter | 1.250 in |
| Shaft Extension | 5.25 in | Assembly/Box Mounting | F1/F2 Capable |
| Connection Drawing | A-EE7308 | Outline Drawing | A-SS86518-1515 |



| DASH | FR. | C | BS | AG | MOUNTING |
|------|-----------|-------|------|-------|----------|
| 1340 | 254JM | 22.42 | 7.68 | 17.17 | F1 OR F2 |
| 1515 | 254/256JM | 24.17 | 9.43 | 18.92 | F1 OR F2 |

- NOTES:
1. NAMEPLATE TO BE READ FROM C'BOX SIDE OF MOTOR.
 2. BOX CAN BE MOUNTED IN 90° STEPS.
 3. BOX CAN BE MOUNTED ON OPPOSITE SIDE BY REMOVING BRACKETS AND TURNING FRAME 180°. (EXCEPT AS NOTED.)

| TOLERANCES UNLESS SPECIFIED | | DRAWN DJK 10-19-1993 | |
|--|-------------------------------------|----------------------|----------------|
| DEC. | INCHES | CHK | ML 10-22-1993 |
| .X | ±.1 | APPD | DRN 10-22-1993 |
| 7 | UPDATED REGAL LOGO | AS | SR |
| 6 | UPDATED DRAWING | TJW 04/27/2007 | ML |
| 5 | ADDED 14.08 DIMENSION TO FRONT VIEW | RJW 12-09-2005 | ML |
| NO. | REVISION | BY & DATE | CHK |
| THIS DRAWING IN DESIGN AND DETAIL IS OUR PROPERTY AND MUST NOT BE USED EXCEPT IN CONNECTION WITH OUR WORK ALL RIGHTS OF DESIGN AND INVENTION ARE RESERVED THIS IS AN ELECTRONICALLY GENERATED DOCUMENT - DO NOT SCALE THIS PRINT | | RFP | ANG |
| | | DIST | LB |
| | | CAD FILE | ss86518 |
| | | SIZE | A |
| | | DRAWING NO. | SS86518 |
| | | PAGE | OF |
| | | REV. | 7 |

EE7308

THREE PHASE
DUAL VOLTAGE MOTOR



VIEW OF TERMINAL END

REF.
WINDING DIAGRAM

T8Y, T2Y, T2BL, T4BX, T2EC, T2G
T6BZ, T2B, T6BL, T4AV, T6B, T4B

OPTIONAL CORD
CONNECTION

L1 — WHITE
L2 — RED
L3 — BLACK

| NO. | REVISION | BY & DATE | CHK | ANG | TOLERANCES UNLESS SPECIFIED | | FINISH | DRAWN RM 11/20/1990 | | | | |
|--|--|----------------|-----|-------|--------------------------------|--------|---|---------------------|--------|--------------------|-----------|--------|
| | | | | | DEC. | INCHES | | | | | | |
| 5 | CHG TO REGAL LOGO | SL 09/10/2015 | AB | | | | | CHK ML 11/21/1990 | | | | |
| 4 | REVISED IEC NOTATIONS | MSG 11/15/2011 | CMN | .X | ±.1 | | | APPD SAS 04/24/2003 | | | | |
| 3 | ADDED IEC NOTATIONS... (U1), (V1) ETC. MU95194 | MSG 5/10/2010 | MJS | .XX | ±.02 | | | SCALE 1=1 | | | | |
| 2 | ADDED THE OPTIONAL CORD CONNECTION MU46318 | RDH 04/24/2003 | DRS | .XXX | ±.005 | | TITLE CONNECTION DIAGRAM 3Ø - DUAL VOLTAGE MOTOR | REF | | | | |
| 1 | REDRAWN | RM 11/20/1990 | | .XXXX | ±.0005 | | MAT'L. | FMF | | | | |
| | | | | | ±7'30" | | | PREV | | | | |
| THIS DRAWING IN DESIGN AND DETAIL IS OUR PROPERTY AND MUST NOT BE USED EXCEPT IN CONNECTION WITH OUR WORK ALL RIGHTS OF DESIGN AND INVENTION ARE RESERVED THIS IS AN ELECTRONICALLY GENERATED DOCUMENT - DO NOT SCALE THIS PRINT | | | | | | | RFP | CAD FILE ee7308 | SIZE A | DRAWING NO. EE7308 | PAGE OF 5 | REV. 5 |
| | | | | | | | DIST WP | | | | | |



Regal Beloit America, Inc.