

PRODUCT INFORMATION PACKET

marathon[®]
Motors

Model No: 256TTDX4041

Catalog No: U100

Close-Coupled Pump Motor, 20 & 15 HP, 3 Ph, 60 & 50 Hz, 230/460 & 190/380 V, 1800 & 1500 RPM,
256JMV Frame, DP

Regal and Marathon are trademarks of Regal Rexnord Corporation or one of its affiliated companies.

©2023 Regal Rexnord Corporation, All Rights Reserved. MC017097E

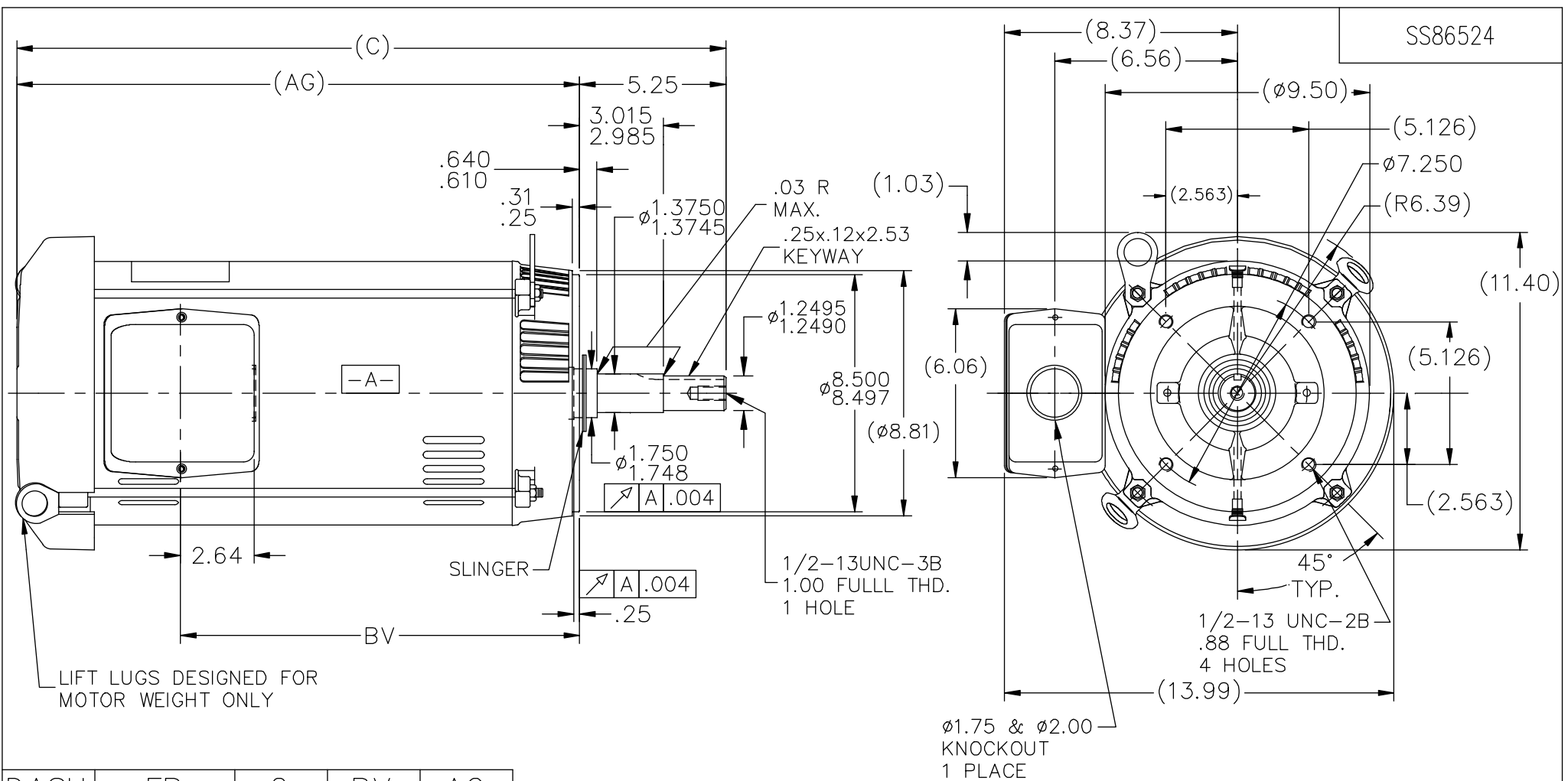
RegalRexnord

Nameplate Specifications

Phase	3	Output HP	20 & 15 Hp
Output KW	14.9 & 11.2 kW	Voltage	230/460 & 190/380 V
Speed	1750 & 1455 rpm	Service Factor	1.15 & 1.15
Frame	256JMV	Enclosure	Drip Proof
Thermal Protection	No Protection	Efficiency	91 & 91 %
Ambient Temperature	40 °C	Frequency	60 & 50 Hz
Current	50/25 & 46/23 A	Power Factor	82.5
Duty	Continuous	Insulation Class	B
Design Code	B	KVA Code	F
Drive End Bearing Size	6309	Opp Drive End Bearing Size	6208
UL	Recognized	CSA	Y
CE	Y	IP Code	12
Number of Speeds	1		

Technical Specifications

Electrical Type	Squirrel Cage Induction Run	Starting Method	Across The Line
Poles	4	Rotation	Reversible
Resistance Main	.48 Ohms	Mounting	Round
Motor Orientation	Shaft Down	Drive End Bearing	Ball
Opp Drive End Bearing	Ball	Frame Material	Rolled Steel
Shaft Type	JM	Overall Length	25.45 in
Frame Length	15.15 in	Shaft Diameter	1.250 in
Shaft Extension	5.28 in	Assembly/Box Mounting	F1/F2 Capable
Outline Drawing	A-SS86524-1515	Connection Drawing	A-EE7308



DASH	FR.	C	BV	AG
1340	254JM	23.70	12.68	18.45
1515	254/256JM	25.45	14.43	20.20
1545	254/256JM	25.75	14.73	20.50

- NOTES:
 1. NAMEPLATE TO BE READ FROM SHAFT EXT. END OF MOTOR.
 2. BOX CAN BE MOUNTED IN 90° STEPS.

NO.	REVISION	BY & DATE	CHK	ANG	±7'30"	TOLERANCES UNLESS SPECIFIED		MARATHON ELECTRIC	DRAWN DJK 10-29-1993		
						DEC.	INCHES				
11	ADDED ITEM #1545(256TTDX4041)	PVR 07/11/2013	JD								
10	REVISED INTERNAL THREAD LENGTH ON SHAFT FROM 1.25 TO 1.00 ECN 16312	MSG 5/24/2010	ML	DEC.	INCHES	.X	±.1		CHK ML 11-01-1993		
9	UPDATED DRAWING	TJW 04/27/2007		.XX	±.03			TITLE OUTLINE	APPD DRN 11-01-1993		
8	REDRAWN IN AUTOCAD	TAT 07-06-2004		.XXX	±.005			250JM FR.-BB-TS-DR.PR.-VERT. 'C' FACE	SCALE 3=16		
7	REVISED DIM. 2.70 TO 2.64 CN 29200-185	CAV 02-24-2000		.XXXX	±.0005			MAT'L.	REF		
								FINISH	FMF		
									PREV		
THIS DRAWING IN DESIGN AND DETAIL IS OUR PROPERTY AND MUST NOT BE USED EXCEPT IN CONNECTION WITH OUR WORK ALL RIGHTS OF DESIGN AND INVENTION ARE RESERVED THIS IS AN ELECTRONICALLY GENERATED DOCUMENT - DO NOT SCALE THIS PRINT						RFP	CAD FILE ss86524	SIZE A	DRAWING NO. SS86524	PAGE OF	REV. 11
						DIST LB					

EE7308

THREE PHASE
DUAL VOLTAGE MOTOR



VIEW OF TERMINAL END

REF.
WINDING DIAGRAM

T8Y, T2Y, T2BL, T4BX, T2EC, T2G
T6BZ, T2B, T6BL, T4AV, T6B, T4B

OPTIONAL CORD
CONNECTION

L1 — WHITE
L2 — RED
L3 — BLACK

NO.	REVISION	BY & DATE	CHK	ANG	TOLERANCES UNLESS SPECIFIED		FINISH	DRAWN RM 11/20/1990				
					DEC.	INCHES						
5	CHG TO REGAL LOGO	SL 09/10/2015	AB					CHK ML 11/21/1990				
4	REVISED IEC NOTATIONS	MSG 11/15/2011	CMN	.X	±.1			APPD SAS 04/24/2003				
3	ADDED IEC NOTATIONS... (U1), (V1) ETC. MU95194	MSG 5/10/2010	MJS	.XX	±.02		TITLE CONNECTION DIAGRAM	SCALE 1=1				
2	ADDED THE OPTIONAL CORD CONNECTION MU46318	RDH 04/24/2003	DRS	.XXX	±.005		3Ø - DUAL VOLTAGE MOTOR	REF				
1	REDRAWN	RM 11/20/1990		.XXXX	±.0005		MAT'L.	FMF				
					±7'30"			PREV				
THIS DRAWING IN DESIGN AND DETAIL IS OUR PROPERTY AND MUST NOT BE USED EXCEPT IN CONNECTION WITH OUR WORK ALL RIGHTS OF DESIGN AND INVENTION ARE RESERVED THIS IS AN ELECTRONICALLY GENERATED DOCUMENT - DO NOT SCALE THIS PRINT							RFP	CAD FILE ee7308	SIZE A	DRAWING NO. EE7308	PAGE OF 5	REV. 5
							DIST WP					



Regal Beloit America, Inc.