

# PRODUCT INFORMATION PACKET

Model No: 256TTDR16004

Catalog No: U225A

Close-Coupled Pump Motor, 25 & 25 HP, 3 Ph, 60 & 50 Hz, 200-230/460 & 200/400 V, 3600 & 3000 RPM,  
256JP Frame, DP

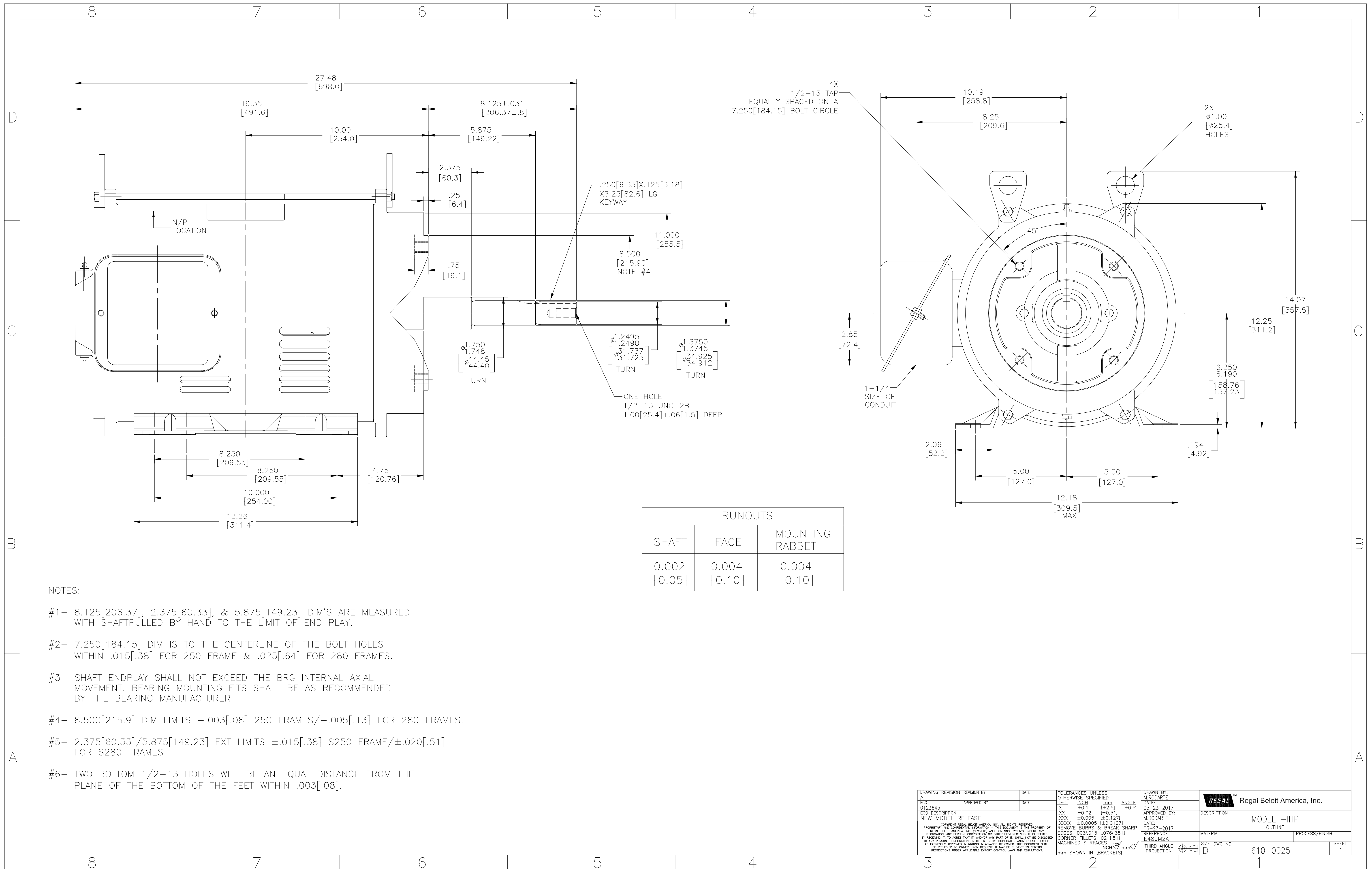


### Nameplate Specifications

Phase	<b>3</b>	Output HP	<b>25 &amp; 25 Hp</b>
Output KW	<b>18.7 &amp; 18.7 kW</b>	Voltage	<b>200-230/460 &amp; 200/400 V</b>
Speed	<b>3530 &amp; 2915 rpm</b>	Service Factor	<b>1.15 &amp; 1.15</b>
Frame	<b>256JP</b>	Enclosure	<b>Drip Proof</b>
Thermal Protection	<b>No Protection</b>	Efficiency	<b>91.7 &amp; 89.5 %</b>
Ambient Temperature	<b>40 °C</b>	Frequency	<b>60 &amp; 50 Hz</b>
Current	<b>52-57/28.5 &amp; 66/33 A</b>	Power Factor	<b>89.6</b>
Duty	<b>Continuous</b>	Insulation Class	<b>F</b>
Design Code	<b>B</b>	KVA Code	<b>G</b>
Drive End Bearing Size	<b>6309</b>	Opp Drive End Bearing Size	<b>6207</b>
UL	<b>Recognized</b>	CSA	<b>Y</b>
CE	<b>Y</b>	IP Code	<b>12</b>
Number of Speeds	<b>1</b>		

### Technical Specifications

Electrical Type	<b>Squirrel Cage Induction Run</b>	Starting Method	<b>Across The Line</b>
Poles	<b>2</b>	Rotation	<b>Reversible</b>
Resistance Main	<b>.48 Ohms</b>	Mounting	<b>Rigid Base</b>
Motor Orientation	<b>Horizontal</b>	Drive End Bearing	<b>Ball</b>
Opp Drive End Bearing	<b>Ball</b>	Frame Material	<b>Rolled Steel</b>
Shaft Type	<b>JP</b>	Overall Length	<b>27.48 in</b>
Frame Length	<b>14.00 in</b>	Shaft Diameter	<b>1.75 in</b>
Shaft Extension	<b>8.13 in</b>	Assembly/Box Mounting	<b>F1 ONLY</b>
Connection Drawing	<b>EE7308</b>	Outline Drawing	<b>610-0025-1400</b>



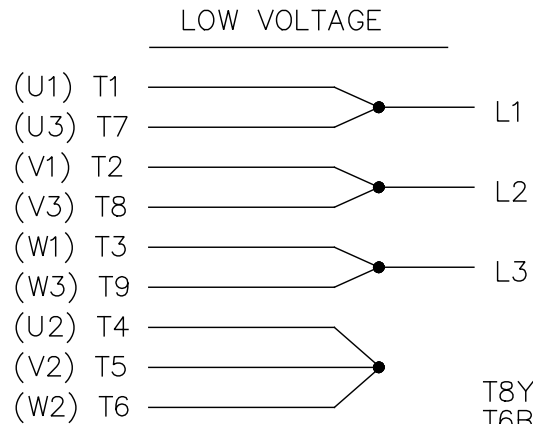
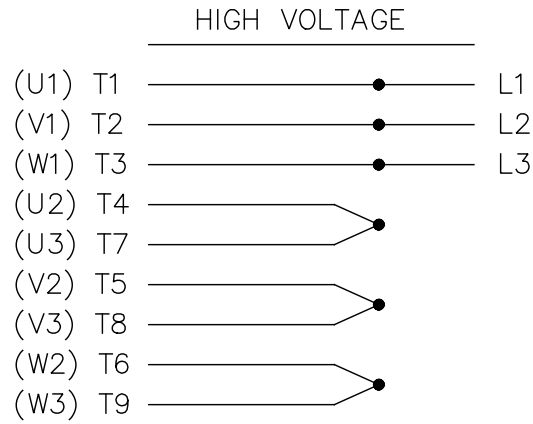
RUNOUTS		
SHAFT	FACE	MOUNTING RABBET
0.002 [0.05]	0.004 [0.10]	0.004 [0.10]

- NOTES:
- #1- 8.125[206.37], 2.375[60.33], & 5.875[149.23] DIM'S ARE MEASURED WITH SHAFT PULLED BY HAND TO THE LIMIT OF END PLAY.
  - #2- 7.250[184.15] DIM IS TO THE CENTERLINE OF THE BOLT HOLES WITHIN .015[.38] FOR 250 FRAME & .025[.64] FOR 280 FRAMES.
  - #3- SHAFT ENDPLAY SHALL NOT EXCEED THE BRG INTERNAL AXIAL MOVEMENT. BEARING MOUNTING FITS SHALL BE AS RECOMMENDED BY THE BEARING MANUFACTURER.
  - #4- 8.500[215.9] DIM LIMITS  $-.003[.08]$  250 FRAMES/ $-.005[.13]$  FOR 280 FRAMES.
  - #5- 2.375[60.33]/5.875[149.23] EXT LIMITS  $\pm .015[.38]$  S250 FRAME/ $\pm .020[.51]$  FOR S280 FRAMES.
  - #6- TWO BOTTOM 1/2-13 HOLES WILL BE AN EQUAL DISTANCE FROM THE PLANE OF THE BOTTOM OF THE FEET WITHIN .003[.08].

DRAWING REVISION A	REVISION BY	DATE	TOLERANCES UNLESS OTHERWISE SPECIFIED DEC. INCH mm ANGLE X ±0.1 (±2.5) ±0.5° XX ±0.02 (±0.51) XXX ±0.005 (±0.127)	DRAWN BY M.RODARTE	Regal Beloit America, Inc. DESCRIPTION MODEL -IHP OUTLINE
0123643	APPROVED BY	DATE	REMOVE BURRS & BREAK SHARP EDGES .003(.015) (0.076(.361)) CORNER FILLETS .02 (.51) MACHINED SURFACES mm SHOWN IN [BRACKETS]	DATE 05-23-2017	
EOD DESCRIPTION NEW MODEL RELEASE			APPROVED BY M.RODARTE	DATE 05-23-2017	PREFERENCE E489M2A
<small>COPYRIGHT REGAL BELOIT AMERICA, INC. ALL RIGHTS RESERVED. PROPRIETARY AND CONFIDENTIAL INFORMATION - THIS DOCUMENT IS THE PROPERTY OF REGAL BELOIT AMERICA, INC. (OWNER) AND COMPANY OWNER'S PROPRIETARY INFORMATION. ANY REPRODUCTION OR OTHER FORM RESERVE IT IS PENALTY BY RECEIVING IT TO AGREE THAT IT AND/OR ANY PART OF IT, SHALL NOT BE DISCLOSED TO ANY PERSON, CORPORATION OR OTHER ENTITY, AND/OR USED, EXCEPT AS EXPRESSLY APPROVED IN WRITING IN ADVANCE BY OWNER. THIS DOCUMENT SHALL BE RETURNED TO OWNER UPON REQUEST. IT MAY BE SUBJECT TO CERTAIN RESTRICTIONS UNDER APPLICABLE EXPORT CONTROL LAWS AND REGULATIONS.</small>			THIRD ANGLE PROJECTION 	SIZE [DWG NO] D 610-0025	PROCESS/FINISH - SHEET 1

EE7308

THREE PHASE  
DUAL VOLTAGE MOTOR



VIEW OF TERMINAL END

REF.  
WINDING DIAGRAM

T8Y, T2Y, T2BL, T4BX, T2EC, T2G  
T6BZ, T2B, T6BL, T4AV, T6B, T4B

OPTIONAL CORD  
CONNECTION

L1 — WHITE  
L2 — RED  
L3 — BLACK

NO.	REVISION	BY & DATE	CHK	ANG	TOLERANCES UNLESS SPECIFIED		FINISH	DRAWN RM 11/20/1990				
					DEC.	INCHES						
5	CHG TO REGAL LOGO	SL 09/10/2015	AB					CHK ML 11/21/1990				
4	REVISED IEC NOTATIONS	MSG 11/15/2011	CMN	.X	±.1			APPD SAS 04/24/2003				
3	ADDED IEC NOTATIONS... (U1), (V1) ETC. MU95194	MSG 5/10/2010	MJS	.XX	±.02		TITLE CONNECTION DIAGRAM	SCALE 1=1				
2	ADDED THE OPTIONAL CORD CONNECTION MU46318	RDH 04/24/2003	DRS	.XXX	±.005		3Ø - DUAL VOLTAGE MOTOR	REF				
1	REDRAWN	RM 11/20/1990		.XXXX	±.0005		MAT'L.	FMF				
					±7'30"			PREV				
THIS DRAWING IN DESIGN AND DETAIL IS OUR PROPERTY AND MUST NOT BE USED EXCEPT IN CONNECTION WITH OUR WORK ALL RIGHTS OF DESIGN AND INVENTION ARE RESERVED THIS IS AN ELECTRONICALLY GENERATED DOCUMENT - DO NOT SCALE THIS PRINT							RFP	CAD FILE ee7308	SIZE A	DRAWING NO. EE7308	PAGE OF 5	REV. 5
							DIST WP					



Regal Beloit America, Inc.

**CERTIFICATION DATA SHEET**

**CONN. DIAGRAM:** 80022802

**MODEL #:** 256TTDR16004 AA

**OUTLINE:** 610-0025-1400

**MOUNTING:** F1 ONLY

**WINDING #:** BHR2T01 3

**TYPICAL MOTOR PERFORMANCE DATA**

HP	kW	SYNC. RPM	F.L. RPM	FRAME	ENCLOSURE	KVA CODE	DESIGN
25&25	18.7&18.7	3600	3525&2915	256T	DP	G	B

PH	Hz	VOLTS	AMPS	START TYPE	DUTY	INSL	S.F.	AMB°C
3	60/50	200-230/460&200/400	52-57/28.5&66/33	ACROSS THE LINE	CONTINUOUS	F4	1.15/1.15	40

FULL LOAD EFF:	91.7&89.5	3/4 LOAD EFF:	92	1/2 LOAD EFF:	93	GTD. EFF		ELEC. TYPE	
FULL LOAD PF:	89.6&89.8	3/4 LOAD PF:	87.5	1/2 LOAD PF:	78.5	90.2		SQ CAGE IND RUN	

F.L. TORQUE	LOCKED ROTOR AMPS	L.R. TORQUE	B.D. TORQUE	F.L. RISE°C
37.2 LB-FT	334 / 167	51.7 LB-FT 139 %	94.5 LB-FT 254 %	40

SOUND PRESSURE @ 3 FT.	SOUND POWER	ROTOR WK^2	MAX. WK^2	SAFE STALL TIME	STARTS / HOUR	APPROX. MOTOR WGT
0 dBA	10 dBA	0 LB-FT^2	0 LB-FT^2	15 SEC.	2	0 LBS.

**\*\*\* SUPPLEMENTAL INFORMATION \*\*\***

DE BRACKET TYPE	ODE BRACKET TYPE	MOUNT TYPE	ORIENTATION	SEVERE DUTY	HAZARDOUS LOCATION	DRIP COVER	SCREENS	PAINT
STANDARD	STANDARD	RIGID	HORIZONTAL	FALSE	NONE	FALSE	NONE	BLUE (ENAMEL)

BEARINGS		GREASE	SHAFT TYPE	SPECIAL DE	SPECIAL ODE	SHAFT MATERIAL	FRAME MATERIAL
DE	ODE						
BALL	BALL	POLYREX EM	T	NONE	NONE	AISI 1045 (C-240)	ROLLED STEEL
6309	6207						

THERMO-PROTECTORS				THERMISTORS	CONTROL	SPACE HEATERS
THERMOSTATS	PROTECTORS	WDG RTDs	BRG RTDs			
NONE	NOT	NONE	NONE	NONE	FALSE	NONE VOLTS

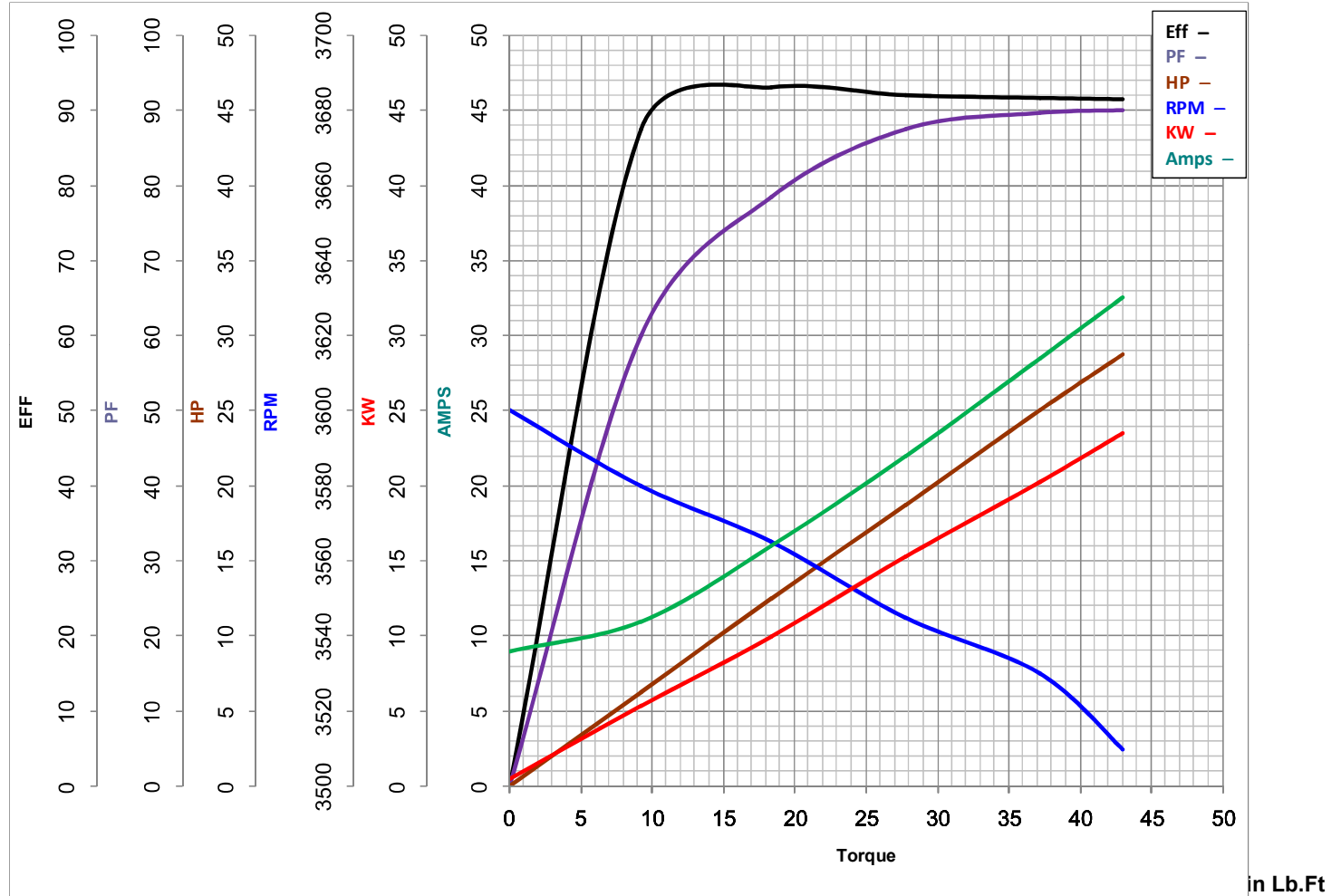
\*  
N  
O  
T  
E  
S  
\*

<b>INVERTER TORQUE:</b> NONE
<b>INV. HP SPEED RANGE:</b> NONE
<b>ENCODER:</b> NONE
NONE NONE
NONE NONE PPR
<b>BRAKE:</b> NONE NONE
NONE P/N NONE
NONE NONE
NONE FT-LB NONE V NONE Hz

**MARATHON ELECTRIC CORPORATION**

TYPICAL PERFORMANCE CURVE for AC MOTOR

Customer \_\_\_\_\_ Curve at 460 Volts HP 25&25 PHASE 3  
 Model No 256TTDR16004 60 HZ  
25 HP VOLTS 200-230/460&200/400  
 Catalog No U225A HZ 60&50 RPM 3525&2915



FL TORQUE	<u>37.2</u>	Lb.Ft	FL AMPS	<u>52-57/28.5</u>
BD TORQUE	<u>94.5</u>	Lb.Ft	PU TORQUE	<u>46.5</u> Lb.Ft
LR TORQUE	<u>51.7</u>	Lb.Ft	LR AMPS	<u>167</u>
WINDING	BHR2T01-3		Date	11/5/2018

## EC Declaration of Conformity

The undersigned representing  
the manufacturer:

Regal Beloit America  
100 East Randolph St.  
Wausau, WI 54401

and the authorized representative  
established within the Community:

Marathon Electric UK  
6F Thistleton Road Ind. Estate  
Market Overton  
Oakham, Rutland LE15 7PP UK

are committed to providing customers with products that comply with applicable regulations and international protocols to which they are subject, including the requirements of the European Parliament Directive on the Harmonization of the laws relating to electrical equipment designed for use within certain voltage limits (2014/35/EU).

Regal Beloit America declares that the following product(s), to which this declaration relates, are in conformity with the relevant sections of the EC standards listed below.

This statement supersedes any statements previously issued pertaining to the product(s) listed below and is subject to change without notice.

Model No : 256TTDR16004

(Model No. may contain prefix and/or suffix characters)

Catalog No : U225A

Rework No : N/A

Directives :

Low Voltage Directive 2014/35/EU

Harmonized Standards Used :

EN 60034-1: 2010 (IEC 60034-1: 2010)

EN 60034-5: 2001/A1:2007 (IEC 60034-5: 2000/A1:2006)

Authorized Representative:



Michael A. Logsdon  
Vice President, Technology

Authorized Representative in the Community:



Julian Clark  
Marketing Engineer

Created on 09/01/2022

**CE 22**