

# PRODUCT INFORMATION PACKET

Model No: 256TTDCA6092

Catalog No: GT0520

10 HP Close-Coupled Pump Motor, 3 phase, 1200 RPM, 575 V, 256JMV Frame, ODP  
Close-Coupled Pump Motors



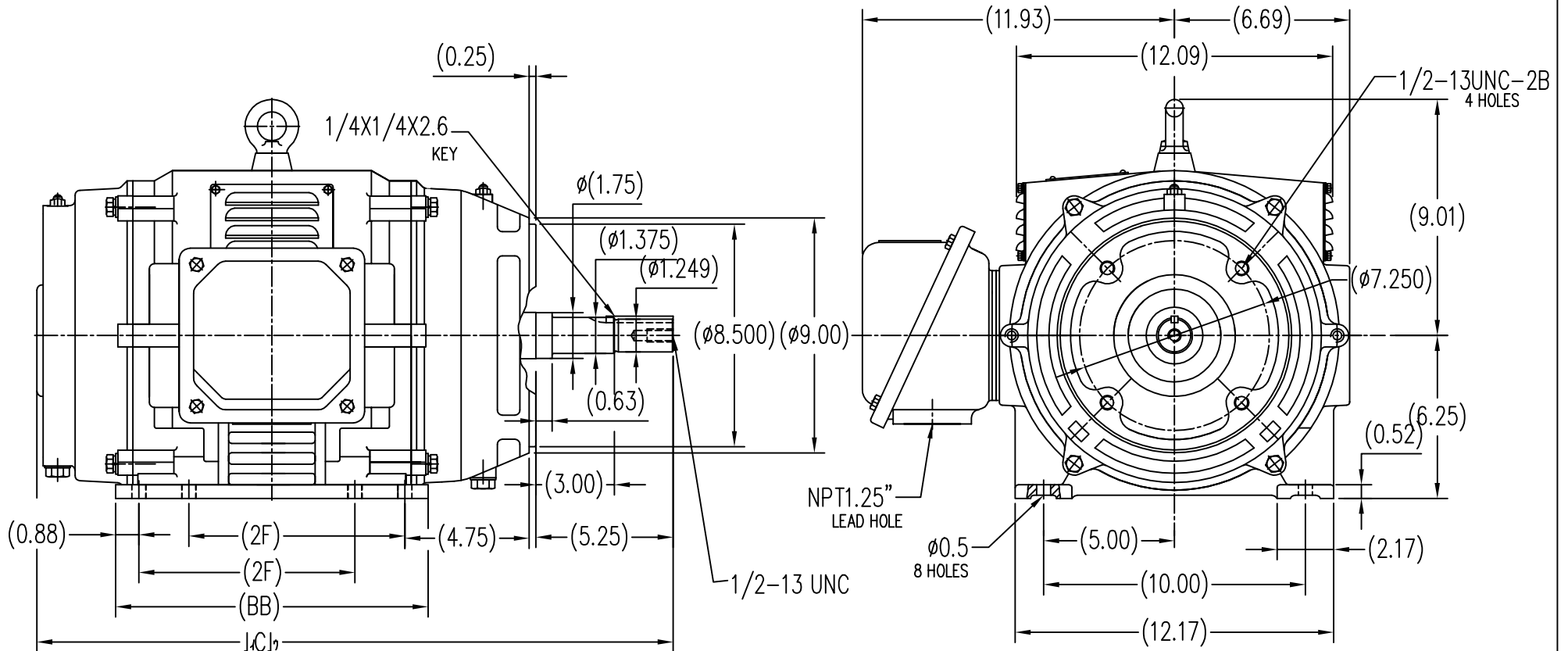
### Nameplate Specifications

Output HP	<b>10 Hp</b>	Output KW	<b>7.5 kW</b>
Frequency	<b>60 Hz</b>	Voltage	<b>575 V</b>
Current	<b>11.0 A</b>	Speed	<b>1182 rpm</b>
Service Factor	<b>1.15</b>	Phase	<b>3</b>
Efficiency	<b>91.7 %</b>	Power Factor	<b>74</b>
Duty	<b>Continuous</b>	Insulation Class	<b>F</b>
Design Code	<b>B</b>	KVA Code	<b>G</b>
Frame	<b>256JMV</b>	Enclosure	<b>Drip Proof</b>
Thermal Protection	<b>No</b>	Ambient Temperature	<b>40 °C</b>
Drive End Bearing Size	<b>6309</b>	Opp Drive End Bearing Size	<b>6208</b>
UL	<b>Recognized</b>	CSA	<b>Y</b>
CE	<b>Y</b>	IP Code	<b>22</b>
Number of Speeds	<b>1</b>		

### Technical Specifications

Electrical Type	<b>Squirrel Cage Inverter Rated</b>	Starting Method	<b>Line Or Inverter</b>
Poles	<b>6</b>	Rotation	<b>Reversible</b>
Resistance Main	<b>1.02 Ohms</b>	Mounting	<b>Rigid Base</b>
Motor Orientation	<b>Horizontal Or Shaft Down</b>	Drive End Bearing	<b>Ball</b>
Opp Drive End Bearing	<b>Ball</b>	Frame Material	<b>Cast Iron</b>
Shaft Type	<b>JM</b>	Overall Length	<b>25.99 in</b>
Shaft Diameter	<b>1.250 in</b>	Shaft Extension	<b>5.25 in</b>
Assembly/Box Mounting	<b>F1/F2 CAPABLE</b>	Inverter Load	<b>VARIABLE 10:1</b>
Outline Drawing	<b>SS620313-256T</b>	Connection Drawing	<b>EE7300</b>

SS620313



254T	8.25	12.00	24.41
256T	10.00	13.59	25.99
FRAME	2F	BB	C

TOLERANCES UNLESS SPECIFIED		REGAL-BELOIT CORPORATION		DRAWN ZYH 6-8-2010	
DEC.	INCHES	CHK	HZJ 6-8-2010	APPD	CL 6-8-2010
.X	±.1	TITLE	OUTLINE	SCALE	1=6
.XX	±.03	254/256T FR-JM-CAST IRON		REF	
.XXX	±.005	MAT'L.		FMF	HWADA
.XXXX	±.0005	FINISH		PREV	
ND.	REVISION	BY & DATE	CHK	ANG	±1/2
THIS DRAWING IN DESIGN AND DETAIL IS OUR PROPERTY AND MUST NOT BE USED EXCEPT IN CONNECTION WITH OUR WORK ALL RIGHTS OF DESIGN AND INVENTION ARE RESERVED THIS IS AN ELECTRONICALLY GENERATED DOCUMENT - DO NOT SCALE THIS PRINT			RFP	CAD FILE	JM 254-256
			DIST	SIZE	DRAWING NO.
				B	SS620313
					REV.

**THREE PHASE - SINGLE VOLTAGE  
MOTOR - CONDUIT BOX @ 'A'**

**TO REVERSE ROTATION:  
INTERCHANGE ANY TWO  
LINE LEAD CONNECTIONS.**

**TERMINAL BLOCK WHEN SPECIFIED**



**VIEW OF TERMINAL END**

**IF MOTOR HAS  
6 LEADS**

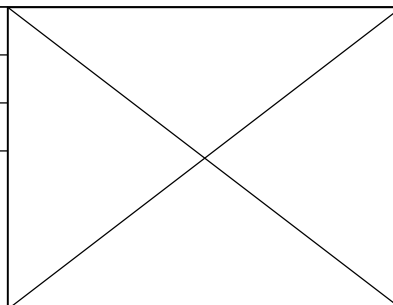


A-9806 DECAL

**OPTIONAL CORD  
CONNECTION**

- L1 \_\_\_\_\_ WHITE \_\_\_\_\_
- L2 \_\_\_\_\_ RED \_\_\_\_\_
- L3 \_\_\_\_\_ BLACK \_\_\_\_\_

DRAWING REVISION <b>AB</b>	REVISION BY <b>JJB</b>	DATE <b>06-27-2017</b>
ECO <b>ECO-0125361</b>	APPROVED BY <b>TB</b>	DATE <b>06-27-2017</b>
ECO DESCRIPTION <b>UPDATED TO CURRENT STANDARDS</b>		
<small>COPYRIGHT REGAL BELOIT AMERICA, INC. ALL RIGHTS RESERVED.                  PROPRIETARY AND CONFIDENTIAL INFORMATION - THIS DOCUMENT IS THE PROPERTY OF                  REGAL BELOIT AMERICA, INC. ("OWNER") AND CONTAINS OWNER'S PROPRIETARY                  INFORMATION. ANY PERSON, CORPORATION OR OTHER FIRM RECEIVING IT IS DEEMED,                  BY RECEIVING IT, TO AGREE THAT IT, AND/OR ANY PART OF IT, SHALL NOT BE DISCLOSED                  TO ANY PERSON, CORPORATION OR OTHER ENTITY, DUPLICATED, AND/OR USED, EXCEPT                  AS EXPRESSLY APPROVED IN WRITING IN ADVANCE BY OWNER. THIS DOCUMENT SHALL                  BE RETURNED TO OWNER UPON REQUEST. IT MAY BE SUBJECT TO CERTAIN                  RESTRICTIONS UNDER APPLICABLE EXPORT CONTROL LAWS AND REGULATIONS.</small>		



DRAWN BY <b>DA</b>
DATE <b>03-26-1993</b>
APPROVED BY <b>TB</b>
DATE <b>03-26-1993</b>
REFERENCE
THIRD ANGLE PROJECTION

<b>Regal Beloit America, Inc.</b>		
		DESCRIPTION <b>CONNECTION DIAGRAM</b> EXTERNAL - SINGLE VOLTAGE - 3Ø MOTOR
MATERIAL	PROCESS/FINISH	
SIZE <b>A</b>	DRAWING NUMBER <b>EE7300</b>	SHEET <b>1 OF 1</b>



Data Sheet

Date: 20-06-2017  
 Customer: \_\_\_\_\_  
 Attention: \_\_\_\_\_  
 Submitted by: FAREEDA DUDEKULA



256TTDCA6092

Submittal

Data @ 575 V

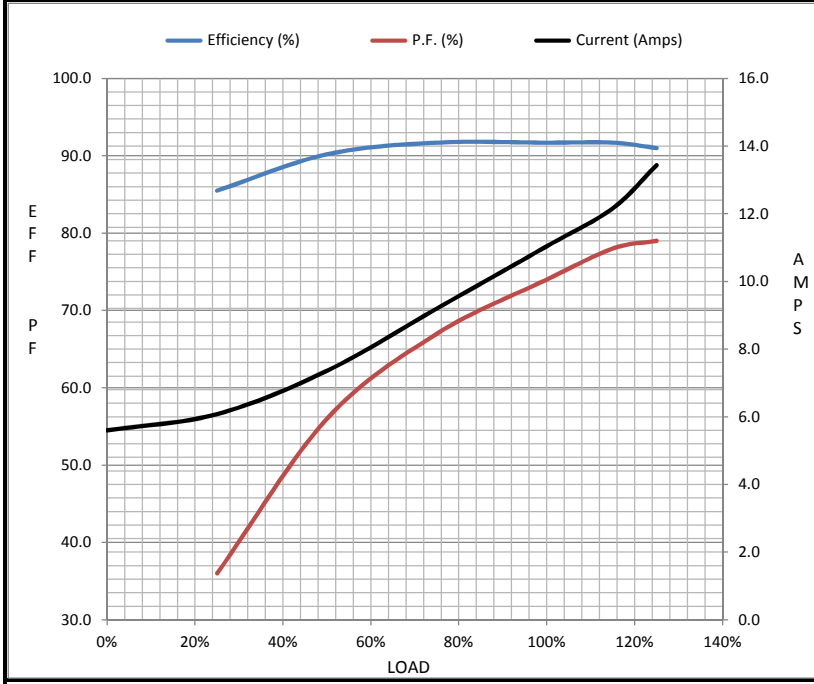
Motor Load Data

Load	0%	25%	50%	75%	100%	115%	125%	LR
Current (Amps)	5.6	6.1	7.4	9.2	11.0	12.2	13.4	58.4
Torque (ft-lb)	0.00	11.0	22.0	33.2	44.5	51.5	56.0	68.0
RPM	1200	1195	1192	1185	1182	1,180	1175	0
Efficiency (%)		85.5	90.2	91.7	91.7	91.7	91.0	
P.F. (%)	5.0	36.0	56.0	67.0	74.0	78.0	79.0	35.0

Motor Speed Data

	LR	Pull-Up	BD	Rated	Idle
Speed (RPM)	0	600	1100	1182	1200
Current (Amps)	58.4	52.0	38.8	11.0	5.6
Torque (ft-lb)	68.0	61.0	130	44.5	0.00

Information Block				
HP	10.0			
Sync. RPM	1200			
Frame	256			
Enclosure	DP			
Construction	TDC			
Voltage	575 V			
Frequency	60 Hz			
Design	B			
LR Code letter	G			
Service Factor	1.15			
Temp Rise @ FL	30 ° C			
Duty	CONT			
Ambient	40 ° C			
Elevation	1,000 feet			
Rotor/Shaft wk <sup>2</sup>	3.0 Lb-Ft <sup>2</sup>			
Ref Wdg	CHT25660002 NONE			
Sound Pressure @ 1M	62 dBA			
VFD Rating	VARIABLE 10:1			
Outline Dwg	SS620313			
Conn. Diag	EE7300			
Additional Specifications:				
0				
365THFS8036				
EQUIV CKT (OHMS / PHASE)				
R1	R2	X1	X2	Xm
0.9320	0.5330	2.5740	4.3930	57.4660



Speed - Torque Curve

