

PRODUCT INFORMATION PACKET

Model No: 256TTDBD7207

Catalog No: Y492A

Multispeed Motor, 15 & 3.75 HP, 3 Ph, 60 Hz, 460 & 460 V, 1800 & 1800 RPM, 256T Frame, DP



Regal and Marathon are trademarks of Regal Rexnord Corporation or one of its affiliated companies.
©2024 Regal Rexnord Corporation, All Rights Reserved. MC017097E

Nameplate Specifications

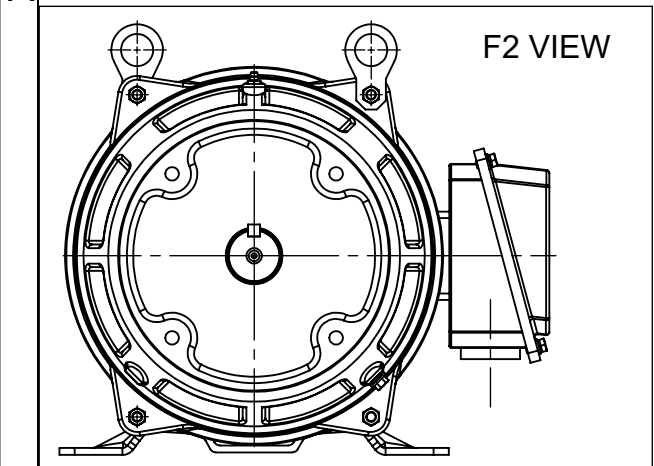
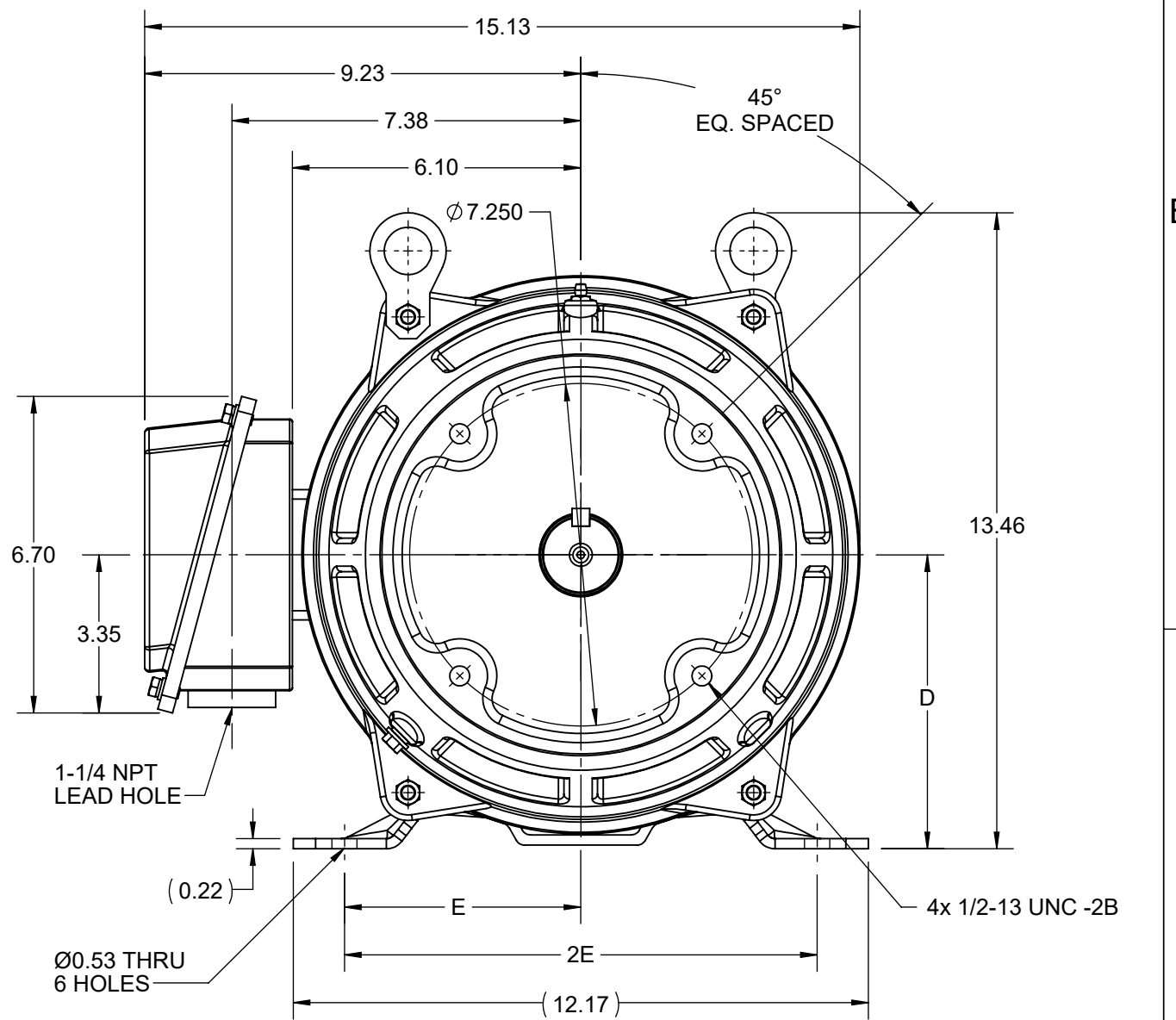
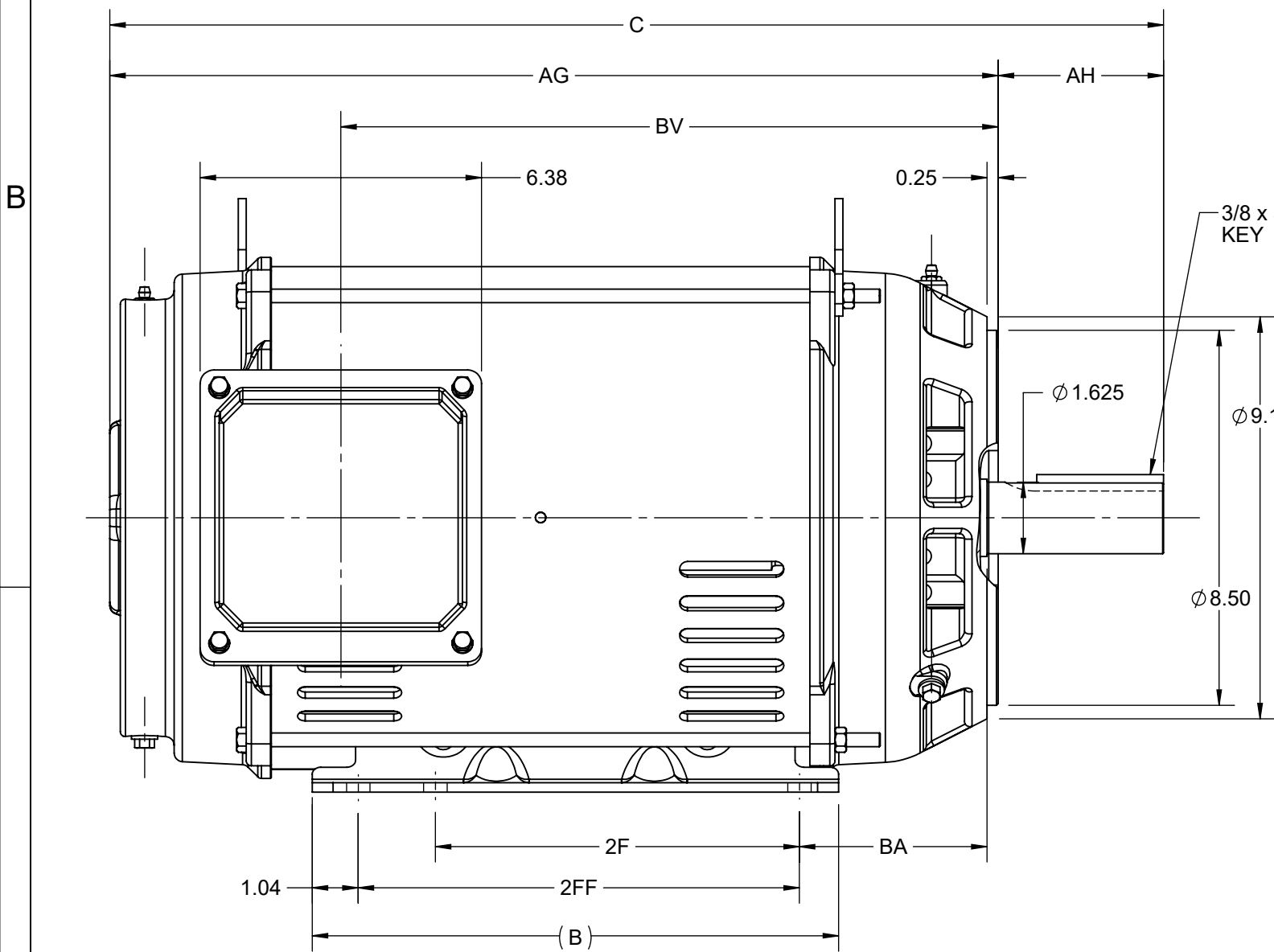
Phase	3	Output HP	15 & 3.75 Hp
Output KW	11.2 & 2.8 kW	Voltage	460 & 460 V
Speed	1782 & 888 rpm	Service Factor	1.15 & 1.15
Frame	256T	Enclosure	Drip Proof
Thermal Protection	No Protection	Efficiency	91 & 87.5 %
Ambient Temperature	40 °C	Frequency	60 Hz
Current	19.8 & 7.2 A	Power Factor	76.5
Duty	Continuous	Insulation Class	F
Design Code	1VT	KVA Code	L
Drive End Bearing Size	6309	Opp Drive End Bearing Size	6208
UL	Recognized	CSA	Y
CE	Y	IP Code	22
Number of Speeds	2		

Technical Specifications

Electrical Type	Squirrel Cage Induction Run	Starting Method	Across The Line
Poles	4/8	Rotation	Reversible
Resistance Main	.5793 Ohms	Mounting	Rigid Base
Motor Orientation	Horizontal	Drive End Bearing	Ball
Opp Drive End Bearing	Ball	Frame Material	Rolled Steel
Shaft Type	T	Shaft Diameter	1.625 in
Assembly/Box Mounting	F1/F2 CAPABLE		
Outline Drawing	SS620685-200	Connection Drawing	EE7322

This is an uncontrolled document once printed or downloaded and is subject to change without notice. Date Created:10/18/2024

DASH NO.	4		3					2			1		
	B	C	D	E	2E	2F	2FF	AG	AH	BA	BV	MOUNTING	FRAME
100	11.93	22.31	6.25	5.00	10.00	8.25	10.00	18.56	3.75	3.50	13.32	F1 OR F2	254TC
200		23.88						20.13			14.90		256TC



DRAWING REVISION A	REVISION BY RAM	REV DATE/© DATE 22/08/2022
REQUEST NUMBER CR-0010970	APPROVED BY SBD	DATE 22/08/2022
REQUEST NUMBER DESCRIPTION NEW DRAWING RELEASE		
<small>COPYRIGHT (PER REVISION DATE) REGAL BELOIT AMERICA, INC. ALL RIGHTS RESERVED. PROPRIETARY AND CONFIDENTIAL INFORMATION - THIS DOCUMENT IS THE PROPERTY OF REGAL BELOIT AMERICA, INC. ("OWNER") AND CONTAINS OWNER'S PROPRIETARY INFORMATION. ANY PERSON, CORPORATION OR OTHER FIRM RECEIVING IT IS DEEMED, BY RECEIVING IT, TO AGREE THAT IT, AND/OR ANY PART OF IT, SHALL NOT BE DISCLOSED TO ANY PERSON, CORPORATION OR OTHER ENTITY, DUPLICATED, AND/OR USED, EXCEPT AS EXPRESSLY APPROVED IN WRITING IN ADVANCE BY OWNER. THIS DOCUMENT SHALL BE RETURNED TO OWNER UPON REQUEST. IT MAY BE SUBJECT TO CERTAIN RESTRICTIONS UNDER APPLICABLE EXPORT CONTROL LAWS AND REGULATIONS.</small>		

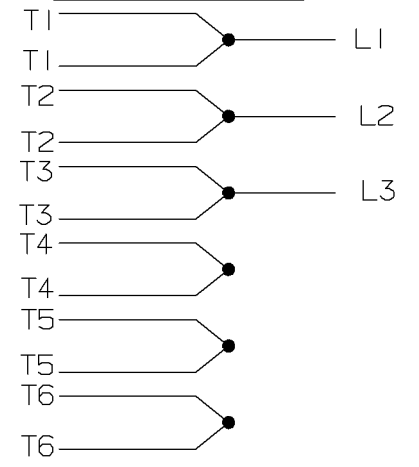
PRIMARY DIMENSIONS ARE INCH
mm DIMENSIONS IN [BRACKETS]
ARE FOR REFERENCE ONLY

DRAWN BY RAM	Regal Beloit America, Inc.
DATE 22/08/2022	
APPROVED BY SBD	DESCRIPTION OUTLINE 254/256TC FR NEMA ODP RS C-FACE KIT
DATE 22/08/2022	MATERIAL PROCESS/FINISH
REFERENCE SS620685	SIZE DRAWING NUMBER B SS620685A
THIRD ANGLE PROJECTION 	SHEET 1 OF 1

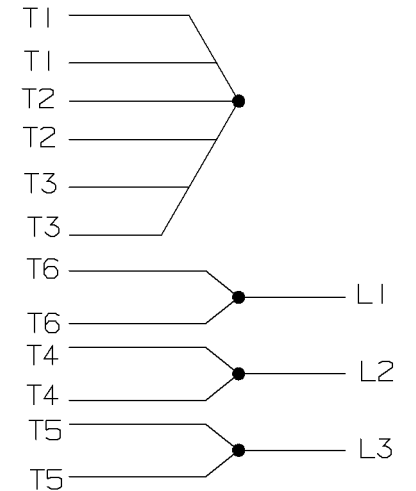
A- EE7322

FOR DUAL LEADS

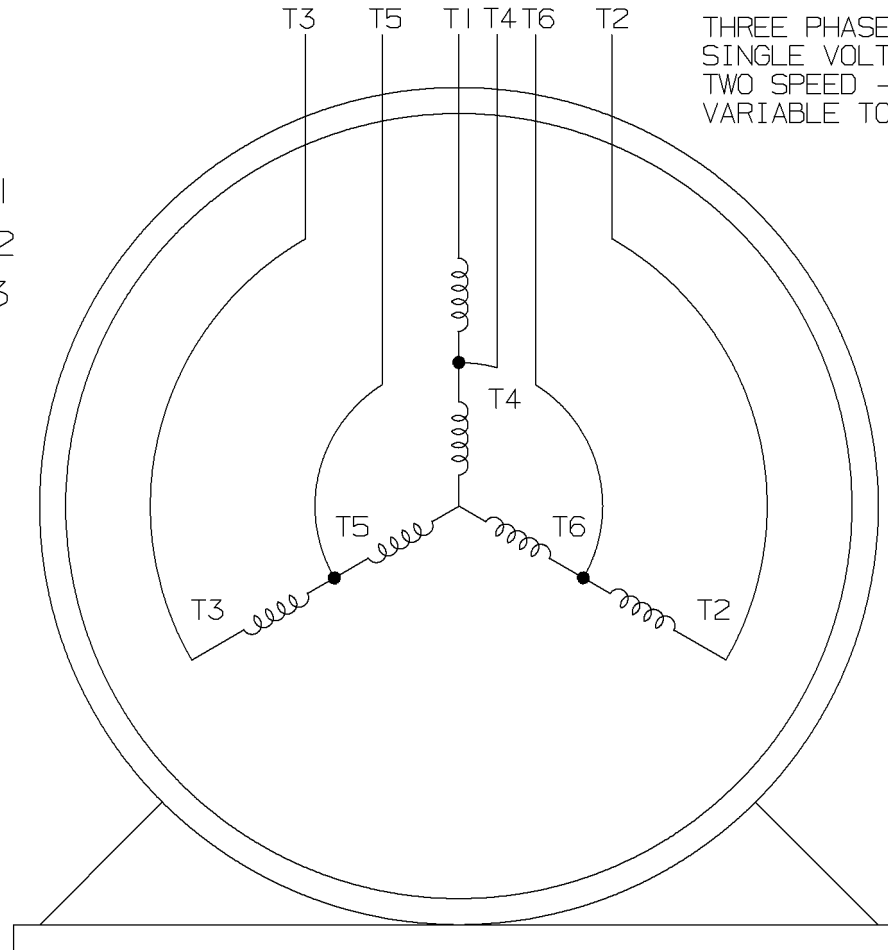
LOW SPEED



HIGH SPEED

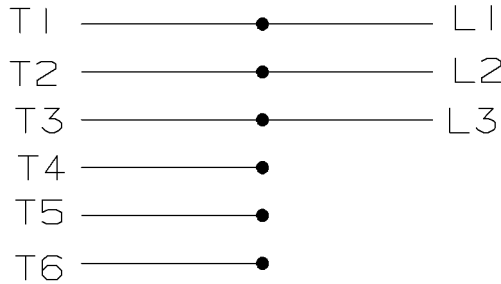


THREE PHASE MOTOR
SINGLE VOLTAGE
TWO SPEED - SGL. WDG.
VARIABLE TORQUE

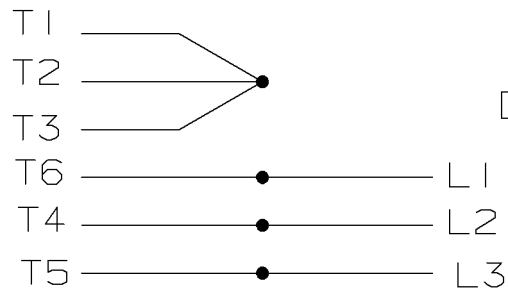


VIEW OF TERMINAL END

LOW SPEED



HIGH SPEED



T612C

T48B

				<input checked="" type="checkbox"/> MAX. SURFACE ROUGHNESS UNLESS NOTED OTHERWISE	UNLESS OTHERWISE SPECIFIED DIMENSIONS ARE IN INCHES				
				MATL SPEC	TOL. ON XX±	XXX±.005	XXXX±.0005	ANGLES±	
				FINISH	MARATHON ELECTRIC WAUSAU, WISCONSIN 54401			DRAWN BY PGK	12-26-1996
				REFERENCE DRW.				CHKD BY ML	01-07-1997
7	01-08-1997	REDRAWN ON CADD	CN 24000-27	PGK	PART NAME CONNECTION DIAGRAM			APPD BY TB	01-07-1997
REV	DATE	CHANGE	NAME	3Ø - SINGLE VOLTAGE - 2 SPEED				DRWG NO A- EE7322	

SHOP BOOK

PURCHASED

DISTRIBUTION - WA - LB - WP - LM - BR

CADD FILE NO.

EE7322

Data Sheet

Date: 12/14/2021
 Customer: _____
 Attention: _____
 Submitted by: SHERYL KUEHMICHEL



256TTDBD7207

Submittal

Data @ 460 V

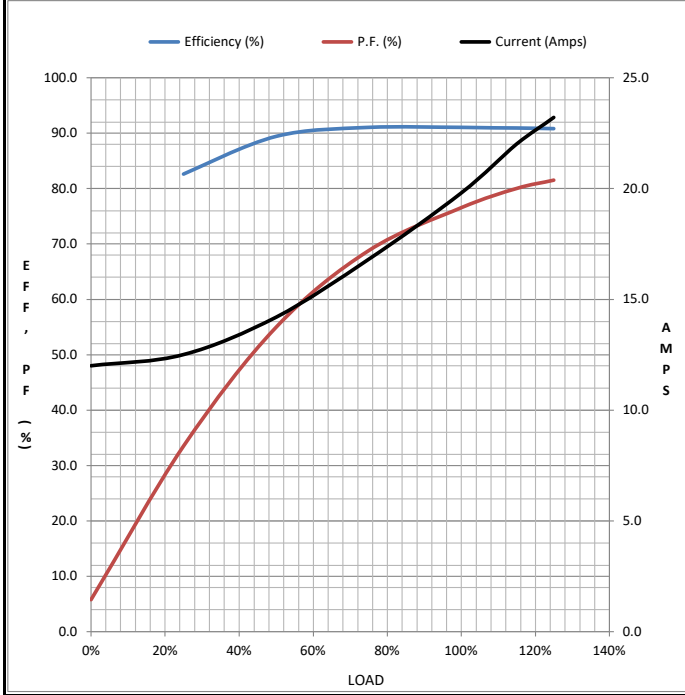
Motor Load Data

Load	0%	25%	50%	75%	100%	115%	125%	LR
Current (Amps)	12.0	12.5	14.2	16.8	19.8	22.0	23.2	170
Torque(ft-lb)	0.00	11.0	22.0	33.0	45.0	51.8	55.0	132
RPM	1800	1795	1790	1785	1782	1,780	1778	0
Efficiency (%)		82.6	89.4	91.0	91.0	90.9	90.8	
P.F. (%)	5.8	33.5	55.0	68.8	76.5	80.0	81.5	46

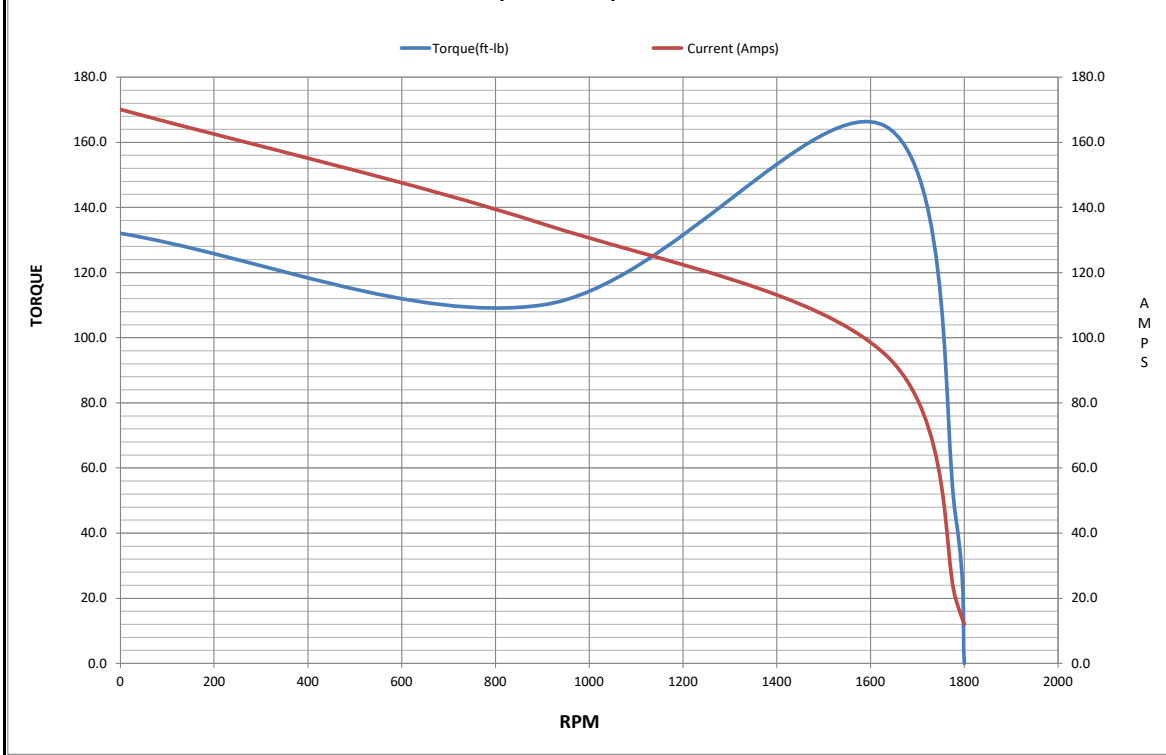
Motor Speed Data

	LR	Pull-Up	BD	Rated	Idle
Speed (RPM)	0	900	1630	1782	1800
Current (Amps)	170	135	95.0	19.8	12.0
Torque(ft-lb)	132	110	165	45.0	0.00

Information Block				
HP	15.0			
Sync. RPM	1800			
Frame	256T			
Enclosure	DP			
Construction	TDW			
Voltage	460 V			
Frequency	60 Hz			
Design	2VT			
LR Code letter	L			
Service Factor	1.15			
Temp Rise @ FL	50 °C			
Duty	CONT			
Ambient	40 °C			
Elevation	3,300 feet			
Rotor/Shaft wk ²	0.00 Lb-Ft ²			
Ref Wdg	HA3160(4-8)04 HS			
Sound Pressure @ 1M	66 dBA			
VFD Rating	NA			
Outline Dwg	SS620685-200			
Conn. Diag	EE7322			
Additional Specifications:				
CATALOG # Y492A				
HIGH SPEED PERFORMANCE				
EQUIV CKT (OHMS / PHASE)				
R1	R2	X1	X2	Xm
0.3725	0.1626	0.9303	1.0532	22.6700



Speed - Torque Curve



Data Sheet

Date: 12/14/2021
 Customer: _____
 Attention: _____
 Submitted by: SHERYL KUEHMICHEL



256TTDBD7207

Submittal

Data @ 460 V

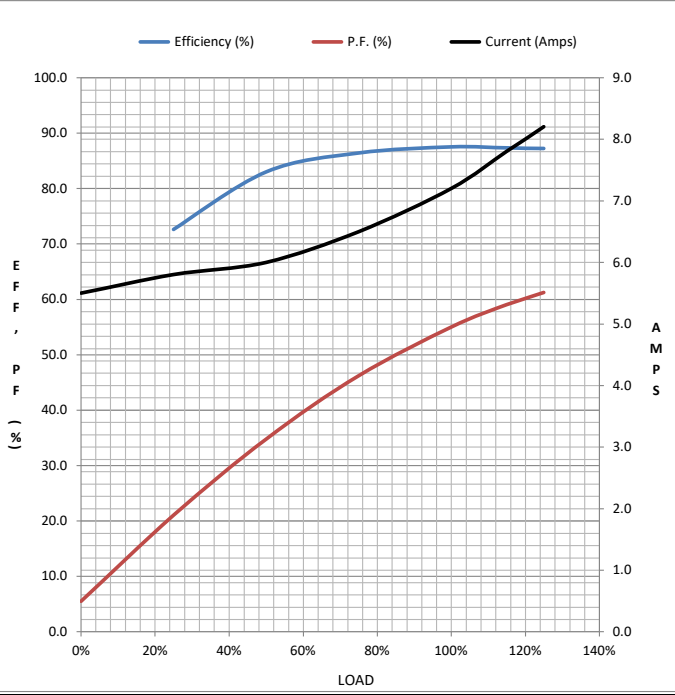
Motor Load Data

Load	0%	25%	50%	75%	100%	115%	125%	LR	
Current (Amps)	5.5	5.8	6.0	6.5	7.2	7.8	8.2	28.0	
Torque(ft-lb)	0.00	5.5	11.0	17.0	23.0	26.5	28.0	38.0	
RPM	900	895	892	890	888	885	882	0	
Efficiency (%)		72.6	83.0	86.4	87.5	87.3	87.2		
P.F. (%)	5.5	21.0	34.8	46.2	55.0	59.0	61.2	0	

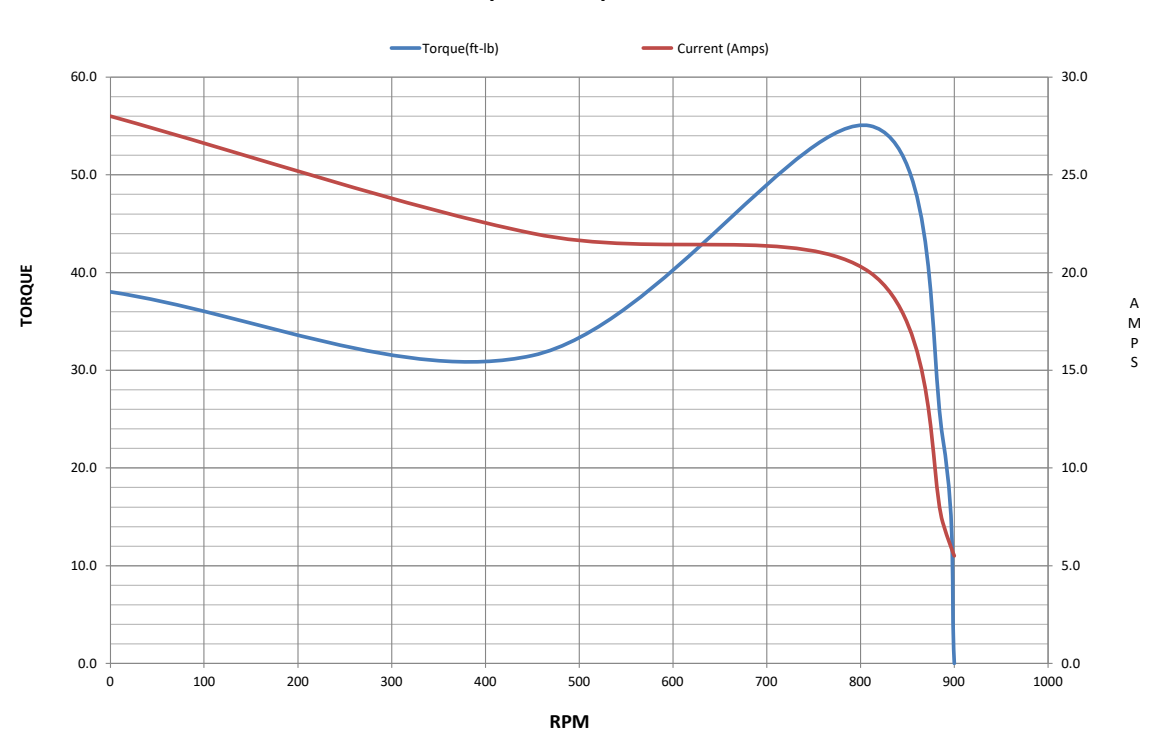
Motor Speed Data

	LR	Pull-Up	BD	Rated	Idle
Speed (RPM)	0	450	810	888	900
Current (Amps)	28.0	22.0	20.0	7.2	5.5
Torque(ft-lb)	38.0	31.5	55.0	23.0	0.00

Information Block				
HP	3.8			
Sync. RPM	900			
Frame	256T			
Enclosure	DP			
Construction	TDW			
Voltage	460 V			
Frequency	60 Hz			
Design	2VT			
LR Code letter	G			
Service Factor	1.15			
Temp Rise @ FL	50 °C			
Duty	CONT			
Ambient	40 °C			
Elevation	3,300 feet			
Rotor/Shaft wk ²	0.00 Lb-Ft ²			
Ref Wdg	HA3160(4-8)04 HS			
Sound Pressure @ 1M	62 dBA			
VFD Rating	NA			
Outline Dwg	SS620685-200			
Conn. Diag	EE7322			
Additional Specifications:				
CATALOG # Y492A				
LOW SPEED PERFORMANCE				
EQUIV CKT (OHMS / PHASE)				
R1	R2	X1	X2	Xm
1.3993	0.8245	4.0996	6.4520	43.2579



Speed - Torque Curve



EC Declaration of Conformity

The undersigned representing
the manufacturer:

Regal Beloit America
100 East Randolph St.
Wausau, WI 54401

and the authorized representative
established within the Community:

Marathon Electric UK
6F Thistleton Road Ind. Estate
Market Overton
Oakham, Rutland LE15 7PP UK

are committed to providing customers with products that comply with applicable regulations and international protocols to which they are subject, including the requirements of the European Parliament Directive on the Harmonization of the laws relating to electrical equipment designed for use within certain voltage limits (2014/35/EU).

Regal Beloit America declares that the following product(s), to which this declaration relates, are in conformity with the relevant sections of the EC standards listed below.

This statement supersedes any statements previously issued pertaining to the product(s) listed below and is subject to change without notice.

Model No : 256TTDBD7207

(Model No. may contain prefix and/or suffix characters)

Catalog No : Y492A

Rework No : N/A

Directives :

Low Voltage Directive 2014/35/EU

Harmonized Standards Used :

EN 60034-1: 2010 (IEC 60034-1: 2010)

EN 60034-5: 2001/A1:2007 (IEC 60034-5: 2000/A1:2006)

Authorized Representative:



Michael A. Logsdon
Vice President, Technology

Authorized Representative in the Community:



Julian Clark
Marketing Engineer

Created on 09/01/2022

CE 22