

# PRODUCT INFORMATION PACKET

marathon®  
Motors

Model No: 256TTDBD6101  
Catalog No: GT00111  
7 1/2,900,DP,256T,3/60/230/460

Miscellaneous

Regal and Marathon are trademarks of Regal Rexnord Corporation or one of its affiliated companies.  
©2021 Regal Rexnord Corporation, All Rights Reserved. MC017097E

RegalRexnord

## Nameplate Specifications

## Technical Specifications

Connection Drawing

EE7308

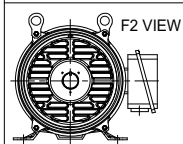
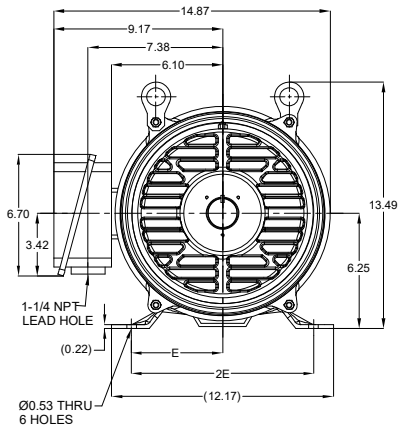
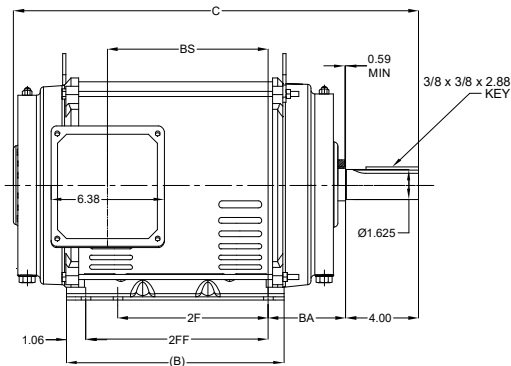
Outline Drawing

SS620685-200

---

This is an uncontrolled document once printed or downloaded and is subject to change without notice. Date Created:12/30/2021

DASH NO.	B	C	E	2E	2F	2FF	BA	BS	MOUNTING	FRAME
100	11.93	22.64	5.00	10.00	8.25	10.00	4.25	9.15	F1 OR F2	254T
200		24.22						10.71		256T




DRAWING REVISION	REVISION BY	DATE	REV DATE	DATE
B	BISWA	03/03/2021		
ECO	CR-0001444	APPROVED BY	GNK	DATE
				03/03/2021

ECO DESCRIPTION	DRAWING UPDATED
<small>           COPYRIGHT (P) &amp; REGISTERED (R) REGAL BELoit AMERICA, INC. ALL RIGHTS RESERVED.           PROVIDING THAT ANY AND ALL INFORMATION, THIS DOCUMENT IS THE PROPERTY OF           REGAL BELoit AMERICA, INC. (OWNER) AND CONTAINS OWNER'S PROPRIETARY           INFORMATION. ANY PERSONAL COPIES OR USE OF THIS DRAWING IS STRICTLY           PROHIBITED. TO AGREE THAT IT AND/OR ANY PART OF IT SHALL NOT BE DISCLOSED           TO ANY PERSON, CORPORATION OR OTHER ENTITY, UNLESS IT IS APPROVED IN WRITING           BY THE COMPANY APPROVED IN ADVANCE BY OWNER. THIS DOCUMENT SHALL           BE RETURNED TO COMPANY UPON REQUEST. IT MAY BE SUBJECT TO CHANGE           WITHOUT NOTICE UNDER APPLICABLE EXPORT CONTROL LAWS AND REGULATIONS.         </small>	

PRIMARY DIMENSIONS ARE INCH  
ITEM DIMENSIONS IN (BRACKETS)  
ARE FOR REFERENCE ONLY

DRAWN BY	DATE	APPROVED BY	DATE
XZ	25/02/2016		
REFERENCE	THIRD ANGLE PROJECTION		

 Regal Beloit America, Inc.

DESCRIPTION  
**OUTLINE**  
254/256T FR NEMA ODP RS

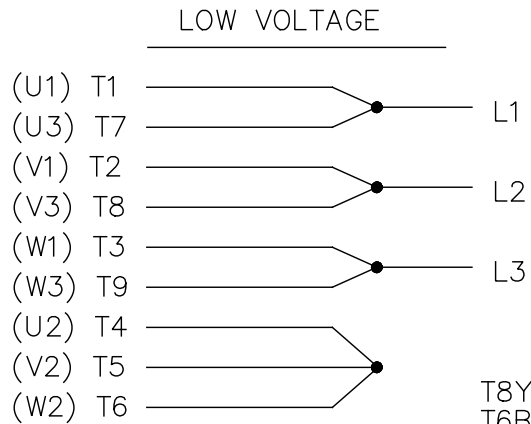
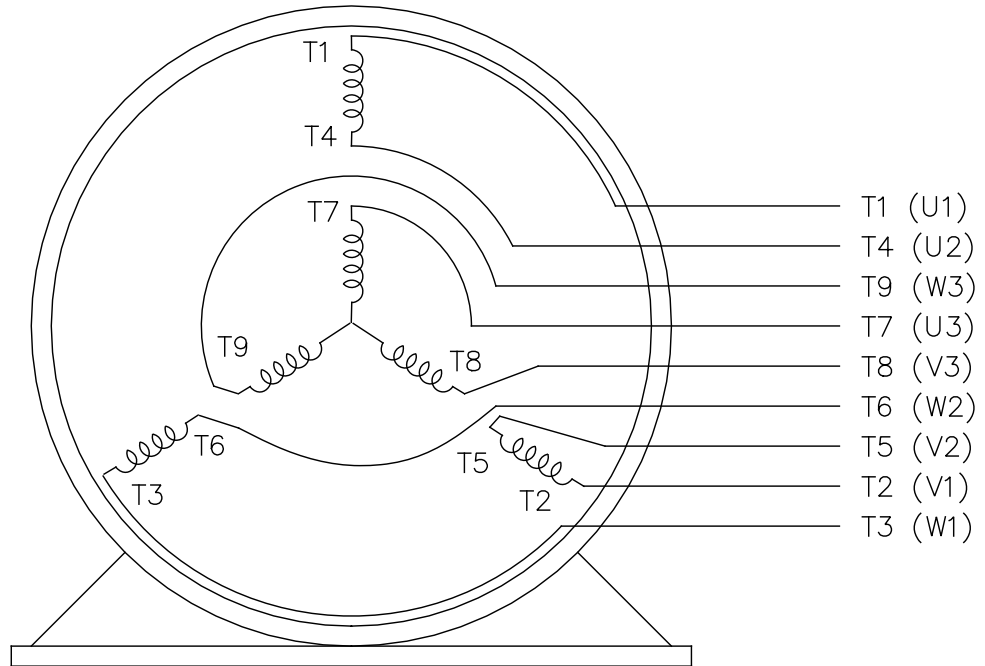
MATERIAL PROCESS/FINISH

SIZE B DRAWING NUMBER  
**SS620685**

SHEET  
1 OF 1

EE7308

THREE PHASE  
DUAL VOLTAGE MOTOR



VIEW OF TERMINAL END

REF.  
WINDING DIAGRAM

T8Y, T2Y, T2BL, T4BX, T2EC, T2G  
T6BZ, T2B, T6BL, T4AV, T6B, T4B

OPTIONAL CORD  
CONNECTION

L1 — WHITE  
L2 — RED  
L3 — BLACK

NO.	REVISION	BY & DATE	CHK	ANG	TOLERANCES UNLESS SPECIFIED		FINISH	DRAWN RM 11/20/1990				
					DEC.	INCHES						
5	CHG TO REGAL LOGO	SL 09/10/2015	AB					CHK ML 11/21/1990				
4	REVISED IEC NOTATIONS	MSG 11/15/2011	CMN	.X	±.1			APPD SAS 04/24/2003				
3	ADDED IEC NOTATIONS... (U1), (V1) ETC. MU95194	MSG 5/10/2010	MJS	.XX	±.02		TITLE CONNECTION DIAGRAM	SCALE 1=1				
2	ADDED THE OPTIONAL CORD CONNECTION MU46318	RDH 04/24/2003	DRS	.XXX	±.005		3Ø - DUAL VOLTAGE MOTOR	REF				
1	REDRAWN	RM 11/20/1990		.XXXX	±.0005		MAT'L.	FMF				
					±7'30"			PREV				
THIS DRAWING IN DESIGN AND DETAIL IS OUR PROPERTY AND MUST NOT BE USED EXCEPT IN CONNECTION WITH OUR WORK ALL RIGHTS OF DESIGN AND INVENTION ARE RESERVED THIS IS AN ELECTRONICALLY GENERATED DOCUMENT - DO NOT SCALE THIS PRINT							RFP	CAD FILE ee7308	SIZE A	DRAWING NO. EE7308	PAGE OF 5	REV. 5
							DIST WP					

